

SRM150

The SRM150 combines Mackie's proven mixer and SRM Series Active loudspeaker technologies to create a powerful, great-sounding 3-channel PA system that is ultra-compact, versatile and expandable. The Mackie SRM150 Compact Active PA System is ideal for a wide variety of applications ranging from boardroom A/V to live musical performance in coffee houses, piano bars, or rehearsals, just to name a few.

The built-in Mackie mixer provides two mic/line channels that accept XLR or 1/4-inch connectors, with switchable 48V phantom power on the mic inputs. Channel 1 can also accept an instrument input directly from a guitar or bass with the press of a switch. A third stereo channel can be used for playing back MP3s, CDs, or tapes. A 3-band EQ is included to adjust the tone and minimize feedback, and a Thru connector provides a line-level output for connecting to a mixer or another powered loudspeaker.

The 5.25-inch full-range weather-resistant neodymium driver was specified by EAW to handle the 150 available watts delivered by the internal Class D amp. The SRM150 can deliver 120 dB SPL @ 1 meter, which is incredible for its size.

The cabinet is constructed of high-pressure injected polypropylene. An insert is provided on the bottom of the cabinet for mounting on a mic stand, using the included mic stand adapter. In addition, a threaded insert is provided on the top of the cabinet for mounting a microphone, using the included mic boom extender.

APPLICATIONS

Small club/band PA systems, boardrooms, A/V presentations, classrooms, personal monitor for practice or performance, PA system expansion and many, many more.



FEATURES:

- Extremely portable powered loudspeaker system
- Built-in Mackie mixer with superior sound quality with:
 - 3-channel mixer with 3-band active EQ
 - Two high-headroom Mackie mic/line preamps with 48V phantom power
 - Instrument-ready input (no DI required)
 - Dedicated stereo channel for keyboards, CD, MP3, etc.
 - Combo "line in" for linking or adding inputs
 - XLR "thru" with mic/line switch for linking more SRM150s or direct send to main PA
- 150W Peak of high output, Class D power
- 5.25" premium quality, full-range neodymium driver
- Frequency response: 100 Hz to 17.5 kHz
- 120 dB maximum SPL peak @ 1 meter
- Complete system protection with built-in limiter
- Built-in carry handle on top
- Integral aluminum heatsink
- Mic stand integration system for use with stand and boom
- Tough, impact resistant polypropylene enclosure
- Lightweight for ultimate portability (7.6 lb / 3.4 kg)

SRM150 SPECIFICATIONS

Acoustic Performance

Frequency Response (-3 dB)	100 Hz - 17.5 kHz
Frequency Range (-10 dB)	60 Hz - 22 kHz
Max SPL long-term	110 dB @ 1 m
Max SPL peak	120 dB @ 1 m

Mixer Section

Frequency Response (-3 dB) (Mic Input to Line Out, Gain at 0 dB)	5 Hz - 40 kHz (+0, -1 dB)
Input Impedance	
Mic	3 k Ω balanced
Hi-Z	20 k Ω balanced
Instrument	1 M Ω
Line	10 k Ω balanced
Stereo	10 k Ω balanced
Maximum Voltage Gain	
Mic Input 1/2	51 dB
Stereo Input	9 dB
Maximum Input Level	
Mic	-28 dBu, gain at +50 dB +15 dBu, gain at +6 dB
Line	-8 dBu, gain at +30 dB +35 dBu, gain at -15 dB
Stereo	+20 dBu, gain at 0 dB
3-Band Equalization	
High	± 15 dB @ 12 kHz
Mid	± 15 dB @ 2.5 kHz
Low	± 15 dB @ 100 Hz
Thru Out Mic Level Pad	-30 dB
Common Mode Rejection Ratio (CMRR) (1 kHz, gain at unity)	55 dB
Noise (20 Hz to 20 kHz BW, 150 Ω source impedance)	
Equivalent Input Noise (EIN)	-129 dBu
Residual Output Noise (Line out, channel and master levels off)	-85 dBu

Power Amplifier

Rated Power	100 watts
Maximum Power	150 watts peak
Rated THD	< 0.05%
Cooling	Convection Extrusion
Design	Class D

Transducer

Diameter	5.25 in / 134 mm
Voice Coil Diameter	1.0 in / 25.4 mm
Magnet Material	Neodymium

Line Input Power

Universal Power Supply	100 VAC - 240 VAC, 50 - 60 Hz, 35 VAC
AC Connector	3-pin IEC 250 VAC

Safety Features

Overload Protection	Limiter
Thermal Protection	Amplifier shutdown, auto-reset

Construction Features

Material	Polypropylene
Finish	Grey, textured finish
Handles	One on top
Grille	Perforated metal with weather-resistant coating
Display LEDs	Power ON, and Phantom Power ON
Operating Temperature	0° - 40°C 32° - 104°F

Physical Properties (packaged product)

Height	10.3 in / 262 mm
Width	12.0 in / 305 mm
Depth	7.5 in / 191 mm
Shipping Weight	10 lb / 4.5 kg

Physical Properties (product)

Height	8.0 in / 203 mm
Width	11.2 in / 284 mm
Depth	6.8 in / 173 mm
Net Weight	7.6 lb / 3.4 kg

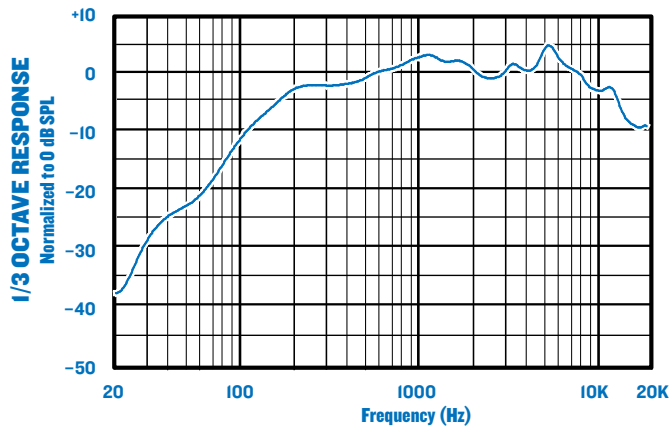
Mounting Methods

Mic stand mountable with the supplied adapter via the built-in socket on the bottom of the cabinet

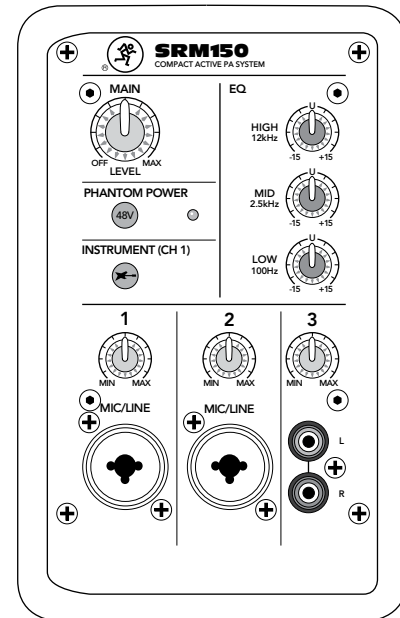
Ordering Information

SRM150 5.25" Compact Active PA System, US	P/N 2033796-00
SRM150 5.25" Compact Active PA System, EU	P/N 2033796-01
SRM150 5.25" Compact Active PA System, CN	P/N 2033796-05

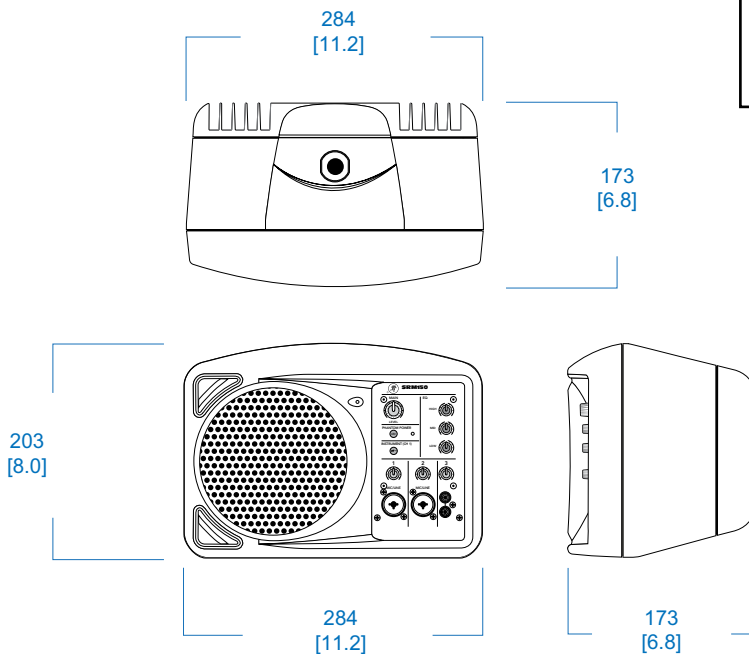
SRM150 FREQUENCY RESPONSE



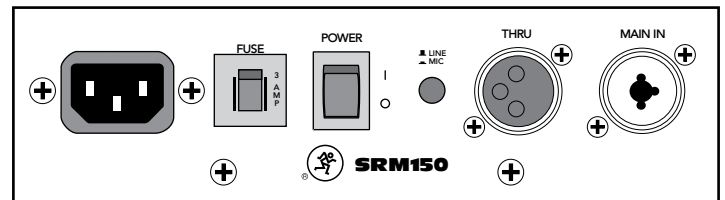
SRM150 FRONT PANEL



SRM150 DIMENSIONS



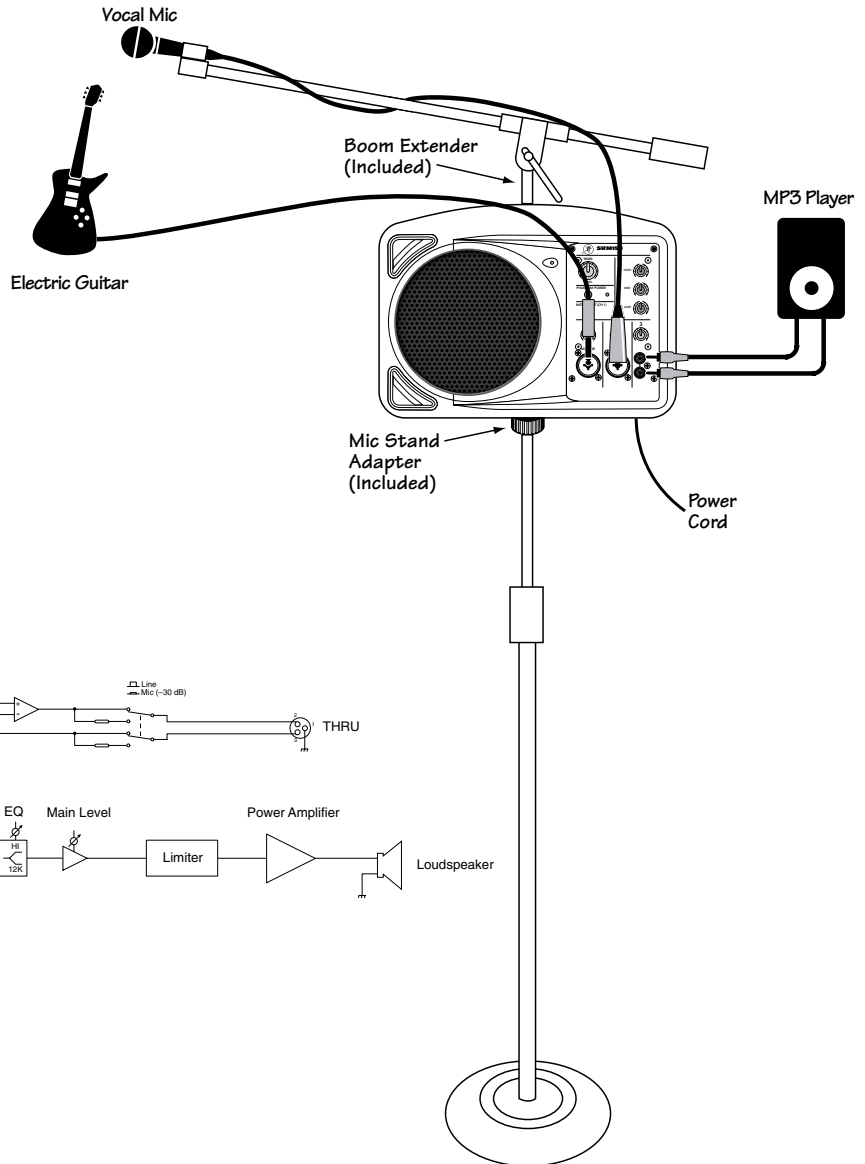
SRM150 REAR PANEL



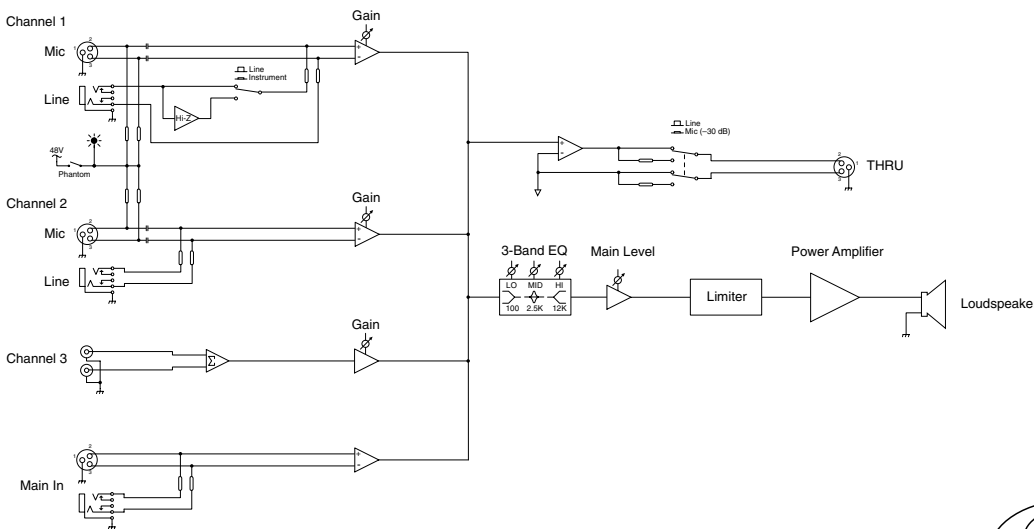
UNLESS OTHERWISE SPECIFIED: ALL DIMENSIONS ARE IN MILLIMETERS. DUAL [INCHES] DIMENSIONS FOR REF ONLY.
 TOLERANCES
 LINEAR $\pm 3.3 \text{ mm} / \pm 0.13 \text{ in}$; ANGLES $\pm 1^\circ$
 (X.XX) = REF DIMS
 NO TOLERANCE IMPLIED
 TSC=THEORETICAL SHARP CORNER
 DIMENSIONS ACROSS CENTERLINES TO BE SYMMETRICAL

- NOTES:
1. WEIGHT APPROX. 3.4 kg [7.6 lb]
 2. SHIPPING WEIGHT APPROX. 4.5 kg [10 lb]

SRM150 STAND MOUNT



SRM150 BLOCK DIAGRAM



Electronic files for this product are available at:

www.mackie.com

Specification Sheet

SRM150_SS.PDF

Owner's Manual

SRM150_OM.PDF

MACKIE®

www.mackie.com
 16220 Wood-Red Road NE
 Woodinville, WA 98072 USA
 800-898-3211, Fax 425-487-4337, sales@mackie.com

Part No. SW0762 Rev. C 08/10

Since we are always striving to make our products better by incorporating new and improved materials, components, and manufacturing methods, we reserve the right to change these specifications at any time without notice. "Mackie" and the "Running Man" figure are registered trademarks of LOUD Technologies Inc. All other brand names mentioned are trademarks or registered trademarks of their respective holders, and are hereby acknowledged.

©2010 LOUD Technologies Inc. All Rights Reserved.