

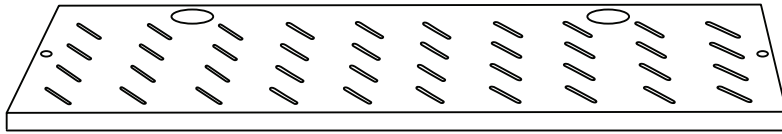


UCA1500

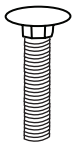
# Utility Cart Tray Instructions

Compatible with all On-Stage Utility Carts

## Components Included:



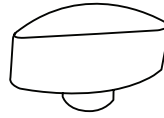
(1) tray



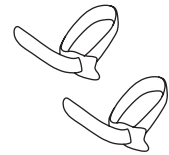
(4) screws



(4) washers



(4) wingnuts



(10) Cable Ties

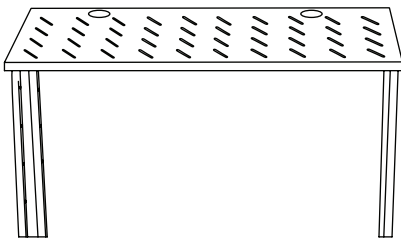
*If any parts are missing, please contact On-Stage customer service.*

## Assembly Instructions:

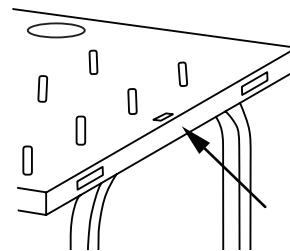
**BEFORE YOU BEGIN:** Remove the components from the box and identify the parts above.

Select the height at which you prefer to use the tray with your On-Stage Utility Cart.

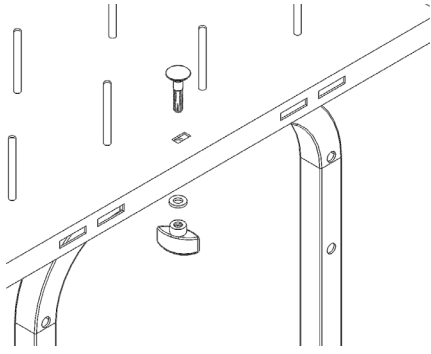
### 1. To mount the tray on top of the cart handles:



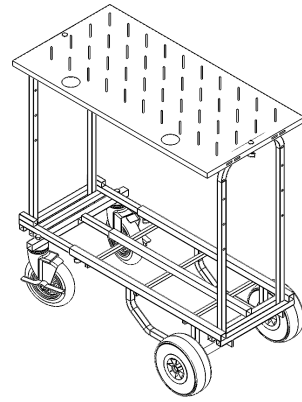
**A.** Set the cart length so the tray can rest on top of both cart handles.



**B.** Position the tray on the cart handles and align the rectangular center holes on top of the tray with the center holes on top of the cart handles.



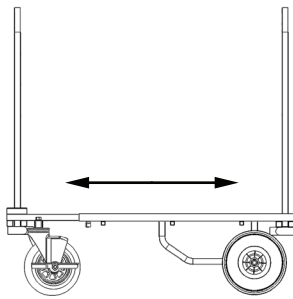
**C.** Insert a screw into one of the tray's center holes and through the cart handle's center hole.



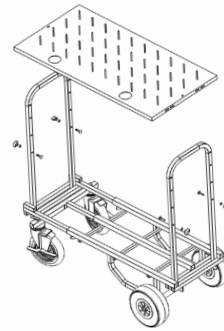
**D.** Slide a washer over the point of the screw and hand tighten a wingnut onto the screw to secure the tray to the cart handle.

**E.** Repeat this process for the second cart handle so that the tray is fastened to the cart at both ends.

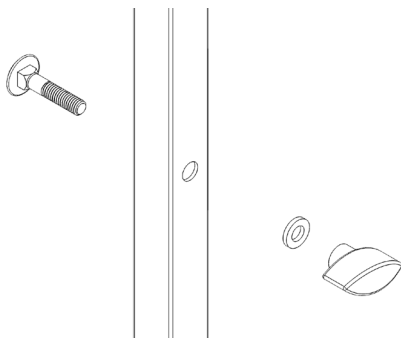
## 2. To mount the tray between the cart handles:



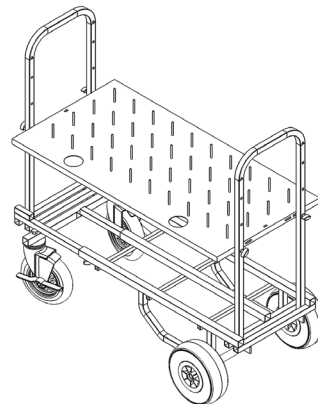
**A.** Set the cart length so the tray can slide down between the cart handles.



**B.** Position the tray between the cart handles and align the tray's rectangular end cap holes with a pair of holes on one of the cart handles.



**C.** Insert a screw into one of the tray's end cap holes and through the cart handle hole.



**D.** Slide a washer over the point of the screw and hand tighten a wingnut onto the screw to secure the tray to the cart handle.

**E.** Repeat this process for the three remaining tray end cap holes so that the tray is fastened to the cart handles at all four corners.