

DS8 TWO-WAY 8-INCH HIGH OUTPUT SURFACE MOUNT LOUDSPEAKER



SPECIFICATIONS

| | |
|---|--|
| Loudspeaker Type: | Two-way, full-range, coaxial surface mount loudspeaker, 8 ohm or 70V/100V operation |
| Operating Range¹: | 60 Hz - 22 kHz |
| Frequency Response¹: | 70 Hz - 20 kHz (±4.3 dB) |
| Max Input Ratings (8 ohm): | 150W continuous, 375W program 35 volts RMS, 77 volts momentary peak |
| Transformer Taps—70V: | 120W, 60W, 30W, 15W and low impedance |
| 100V: | 120W, 60W, 30W |
| Sensitivity (1W/1m)¹: | 95 dB SPL (125 Hz to 12.5 kHz 1/3 octave bands) 96 dB SPL (250 Hz to 4 kHz speech range) |
| Maximum Output¹: | 117 dB SPL / 124 dB SPL (peak 8 ohm) |
| Nominal Impedance: | 8 ohms |
| Minimum Impedance: | 6.5 ohms @ 220 Hz |
| Nominal Coverage: | 115° conical (+46° / -46°, 500 Hz to 6 kHz) |
| Axial Q / DI: | 5.7 / 7.6, 500 Hz to 6 kHz |
| Crossover Frequency: | 1.3 kHz |
| Recommended Signal Processing: | 60 Hz, 24 dB/Oct high pass filter |
| Drivers: | LF 1 x 8-inch cone HF 1 x 1.25-inch exit compression driver |
| Driver Protection: | Self-resetting solid state circuit breaker |
| Input Connection: | 4-screw Euroblock connector for two pair of 2-wire leads (uninterrupted whether the loudspeaker is connected or not) concealed in the base of the mounting bracket; and a 2-pin Euroblock connector on the loudspeaker enclosure |
| Controls: | Front-accessible wattage / low impedance selector switch hidden behind the rotatable logo |
| Enclosure: | ABS plastic, matte finish, paintable |
| Finish: | Black or white |
| Mounting/Rigging Provisions: | Infin-A-Ball™ mounting system with hidden internal wiring |
| Grille: | Dual-layer powder coated steel, black or white finish |
| Safety Features: | Built-in safety cable attachment loop |
| Environmental: | IP55 rated loudspeakers, IP56 rated connector cover, designed to Mil Spec 810 |
| Required Accessories: | Electronic high pass filter |
| Supplied Accessories: | Infin-A-Ball™ mounting bracket Hex wrench Flathead screwdriver |
| Optional Accessories: | DS-WMP Wall Mount Plate |
| Dimensions—Height: | 18.5 inches (470 mm) |
| Width: | 9 inches (230 mm) |
| Depth: | 10.1 inches (257 mm) |
| Weight (without bracket): | 17.6 lbs (8 kg) |
| Weight (with bracket): | 18.2 lbs (8.3 kg) |
| Shipping Weight (Pairs): | 44 lbs (20 kg) |

NOTES:

- Sensitivity: On-wall pink noise measurement at 6ft (1.8m) at 10% power; extrapolated to 1 meter and an input of 2.83 volts RMS.
- Watts: All wattage figures are calculated using the rated nominal impedance.



APPLICATIONS

- Swimming pools
- Sports stadia, sports facilities
- Health and fitness clubs
- Houses of worship
- Retail environments
- Cruise ships
- Corporate training rooms
- Bars and restaurants

FEATURES

- Modern architectural design
- Same components and voicing as the Distributed Design ceiling loudspeaker family
- High efficiency, high output, high intelligibility, low distortion
- Paintable enclosure constructed of high-impact ABS plastic to reduce resonances
- Front-accessible power tap switch for selectable 8 ohm or 70V/100V operation
- Infin-A-Ball™ low profile mounting bracket included
- Weather-resistant construction with treated drivers, two-layer powder coated grilles and protected wiring ingress
- Available in standard black or white finishes

DESCRIPTION

The Distributed Design Series DS8 is a full-range, compact, two-way system, ideal for installations where space is a premium. Easily outperforming loudspeakers of a larger size format, the DS8 provides high power handling, high sensitivity and realistic sound reproduction. With a modern architectural appearance that aesthetically merges well in most environments, combined with weather-resistant capability suitable for indirect outdoor use, the DS8 can be used in a wide variety of speech and music applications. It is equipped with a built-in autoformer, allowing the full loudspeaker output to be realized with 70V or 100V distribution lines. A convenient front-accessible power tap switch is hidden behind a rotatable logo. Installation is simple and flexible using the included Infin-A-Ball™ multi-angle wall mounting bracket which allows low profile mounting and precise positioning of the enclosure over a broad tilt-swivel range.

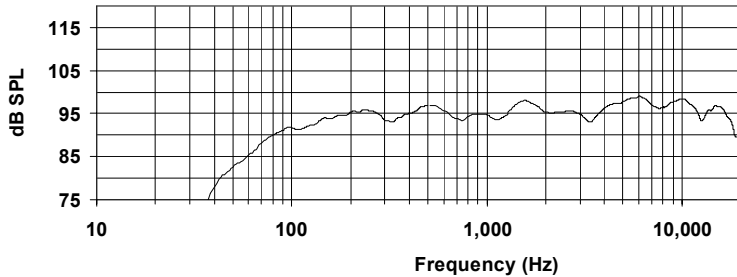
DS8

TWO-WAY 8-INCH HIGH OUTPUT SURFACE MOUNT LOUDSPEAKER

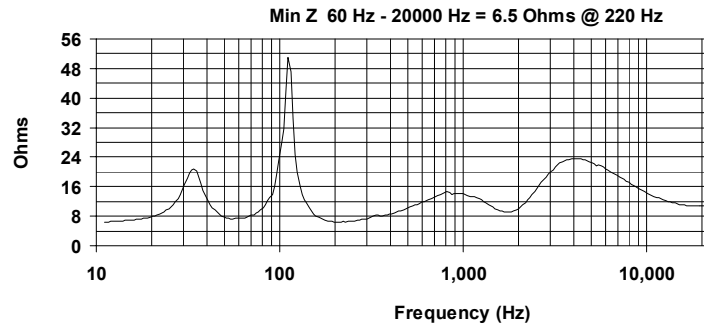
DISTRIBUTED DESIGN SERIES



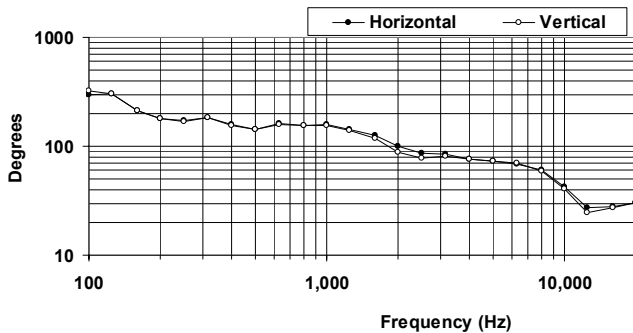
FREQUENCY RESPONSE



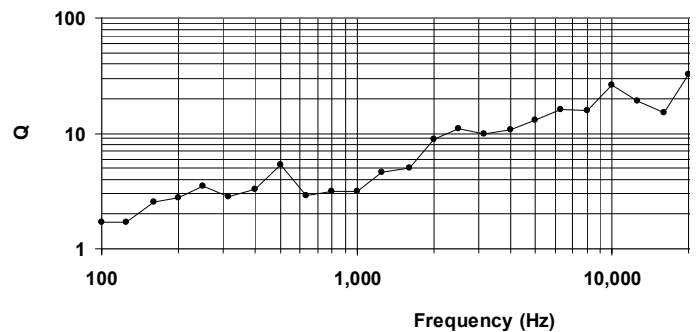
IMPEDANCE



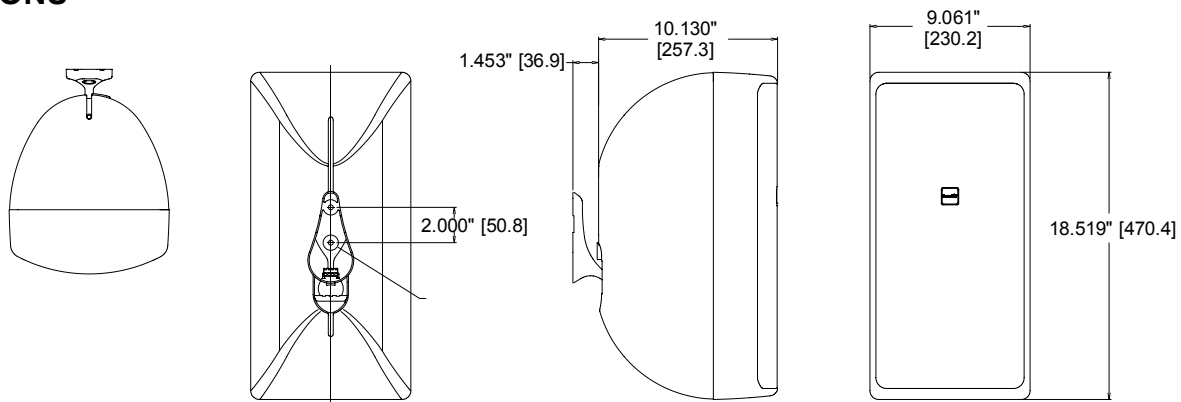
BEAMWIDTH



AXIAL Q



DIMENSIONS



ARCHITECTURAL SPECIFICATIONS

The loudspeaker system shall be a two-way, full-range compact system with an 8-inch low frequency transducer with patented Carbon Ring Cone Technology™ and a coaxially mounted 1.25-inch exit high frequency compression driver. The drivers shall be connected to an integral crossover with a crossover frequency of 1.3 kHz, with a self-resetting solid state circuit breaker for driver protection. The paintable enclosure shall be constructed of high-impact ABS plastic. The system shall have an amplitude response of 70 Hz to 20 kHz (+/- 4.3dB) and a low impedance (8 ohm) input capability of 35V RMS. The sensitivity at 1W/1m shall be 95 dB (125 Hz to 12.5 kHz, 1/3 octave bands). The loudspeaker system shall have a conical coverage pattern of 115 degrees from 500 Hz to 6 kHz. The nominal system impedance shall be 8 ohms (in low impedance setting). The system shall be equipped with a 120W high performance autoformer for use in 70.7V or 100V distributed audio systems, with 120W, 60W, 30W and 15W taps available in 70.7V distributed systems (120W, 60W and 30W taps available in 100V distributed systems). An easily accessible front-face tap selector switch located behind a rotatable logo shall be available for selecting autoformer and low impedance settings. Dimensions shall be 18.5 inches (470 mm) high, 9 inches (230 mm) wide and 10.1 inches (257 mm) deep, with a loudspeaker weight of 17.6 lbs (8 kg).

Community strives to improve its products on a continual basis. Specifications are therefore subject to change without notice.