

Model Series 150LVCS Stereo Volume Control w/wall plate

Volume controls with rotary switch are engineered for three types of 70/100V applications: distributed mono systems, distributed mono systems with subwoofer, and distributed stereo systems.

Features

- 150W power rating
- 3dB per step attenuation with two positions of 6dB prior to "Off"
- Phoenix style plug-in screw termination strips for pre-wire convenience; wire capacity up to 14-gauge.
- Two-gang standard or decorator style wall plate
- Rotary switch
- Mounts in a two-gang E.O. box with minimum depth requirement of 2.5" including mud ring, if used. Box not included.

A&E Specifications

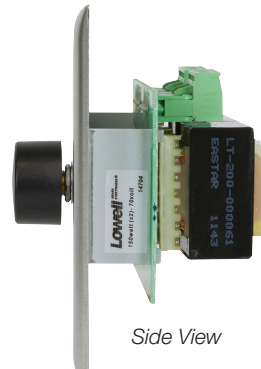
The stereo volume control for distributed mono systems, distributed mono systems with subwoofer, or distributed stereo applications shall be Lowell Model _____ with power rating of 150W per channel, 3dB per step attenuation and two 6dB positions before "Off." The control shall have plug-in termination for up to 14-gauge wire for 70V or 100V input connections from the amplifier and 70V or 100V output to the speaker/transformer assemblies. The two-gang wall plate shall be _____ (standard, decorator style) with _____ (stainless steel, stainless steel & black) finish. It shall include a black rotary knob. The volume control shall mount in a standard two-gang E.O. box with minimum depth of 2.5" including mud ring, if used. The box is not included.



Standard Two-Gang Plate
Stainless Steel



Decorator Style Two-Gang Plate
Stainless Steel & Black



Side View

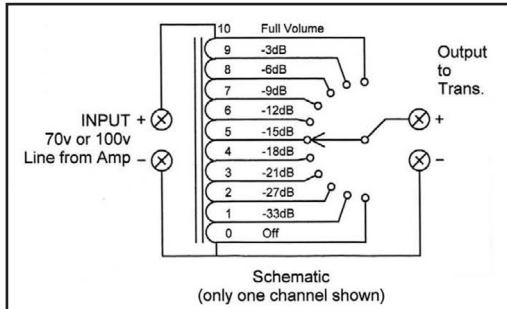
Model No. Summary

| Model No. | Power Rating | Type | Switch Type | Switch Positions | Attenuation * Step / Total | Two-Gang Plate Style | Plate Finish |
|-------------|--------------|------------|-------------|------------------|-------------------------------|----------------------|-------------------------|
| 150LVCS | 150W | auto-trans | rotary | 10-off | 3dB / 33dB | standard | stainless steel |
| 150LVCS-DSB | 150W | auto-trans | rotary | 10-off | 3dB / 33dB | decorator | stainless steel & black |

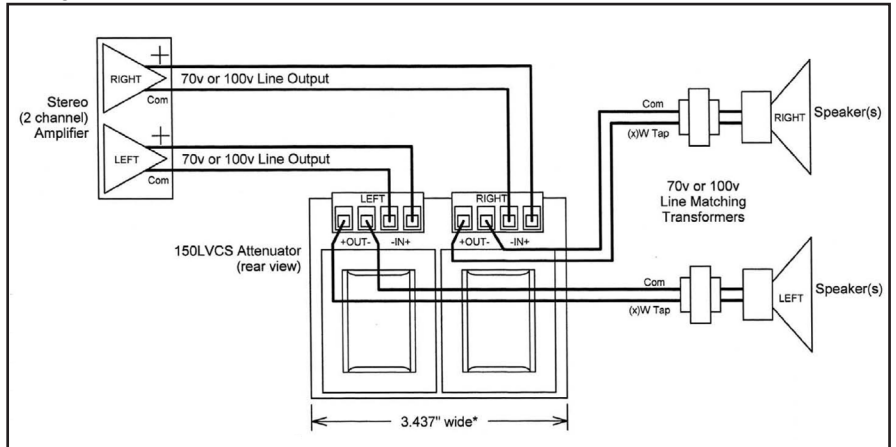
* Two steps of 6dB each before "Off"

Technical Drawings

Schematic (one channel)



Wiring



Applications

