



Model

10KLVC Series 10k ohm potentiometer control

• With wall plate or adhesive label

10k ohm linear taper control for single-point remote level adjustment of voltage controlled amplifiers (VCA, by others) is designed to interface directly with three-wire, 0 to 10 volt control inputs that are typical on most voltage controlled amplifiers. The 10k ohm potentiometer allows the amplifier's control voltage to be set or adjusted from a single remote location. Choose control with decorator style wall plate (in various colors) or rack mount adhesive label.

Features

- 10K ohm linear taper potentiometer with 1/2W power rating provides level adjustment of voltage controlled amplifiers from a single remote location.
- Phoenix-style removable screw termination strips for pre-wire with capacity for 14-gauge wire.
- Continuous attenuation rotary control with stops at 0 and Max plus incremental detents for precision feel.
- Two Styles:
 - Control with decorator style wall plate includes control assembly on a subplate, decora style wall plate, and knob. Choice of color: white, black, almond, or stainless steel with white subplate.
 - Control with adhesive label for rack mount use includes control assembly with knob, adhesive label with dial scale, and plastic window to insert a 1/2" paper label. This device is designed to mount to a field-punched rack panel (2U or larger) or Lowell panel No. LVC8P-ID-2 (ordered separately).



10KLVC-DW



10KLVC-DB



10KLVC-DA



10KLVC-DSW



10KLVC-RM

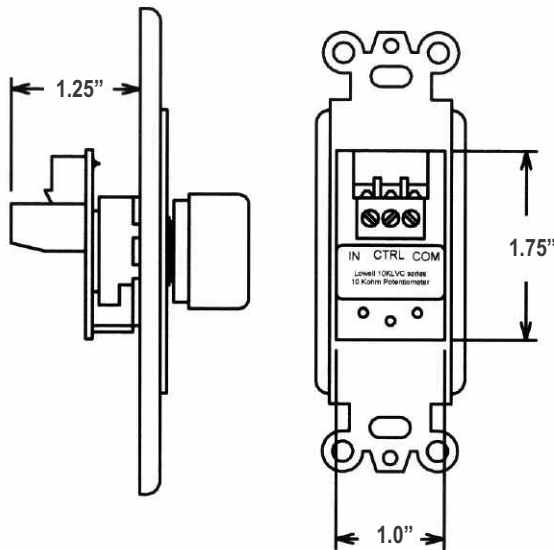
A&E Specifications

Control with wall plate: The potentiometer control shall be Lowell Model No. _____, which shall be a linear taper style potentiometer with 10,000 (10k) ohm resistance and 1/2W power rating. It shall be compatible with three-wire 0-10 volt control inputs on voltage control amplifiers (by others) for level adjustment from a single remote location. Attenuation shall be continuously variable with stops at minimum and maximum levels. The control shall be mounted to a decorator style subplate with printing (Volume, 0, MAX) and include a knob and _____ (color) wall plate.

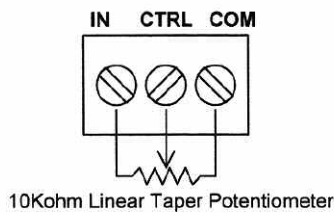
Control with adhesive label: The potentiometer control shall be Lowell Model No. 10KLVC-RM, which shall be a linear taper style potentiometer with 10,000 (10k) ohm resistance and 1/2W power rating. It shall be compatible with three-wire 0-10 volt control inputs on voltage control amplifiers (by others) for level adjustment from a single remote location. Attenuation shall be continuously variable with stops at minimum and maximum levels. The control shall include a knob, adhesive label (2"W x 2.5"H) with dial scale, and plastic window for a label to mount to a field-punched (2U or larger) rack panel or Lowell Panel No. LVC8P-ID-2 (ordered separately).

Technical Drawings

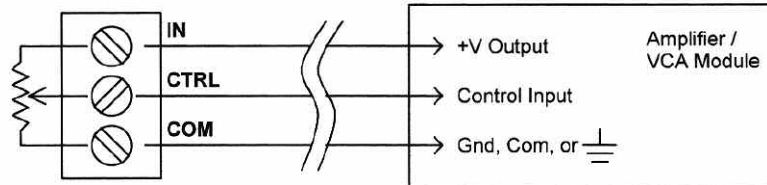
Measurements are inches unless noted otherwise.



Schematic Diagram



Typical Hook-up



Model Numbers

Model No.	Style	Taper	Resistance	Plate Color	Plate Width	Plate Height	Control Width	Control Height	Control Depth
10KLVC-DW	wall plate	linear	10,000 ohm	white	2.75"	4.5"	1.0"	1.75"	1.25"
10KLVC-DB	wall plate	linear	10,000 ohm	black	2.75"	4.5"	1.0"	1.75"	1.25"
10KLVC-DA	wall plate	linear	10,000 ohm	almond	2.75"	4.5"	1.0"	1.75"	1.25"
10KLVC-DSW	wall plate	linear	10,000 ohm	ss + white	2.75"	4.5"	1.0"	1.75"	1.25"
10KLVC-RM	adhesive label	linear	10,000 ohm	---	---	---	1.0"	1.75"	1.25"

ss = stainless steel plate (white subplate)

Rack Mount Accessories (order separately)

- **Solid Panel No. SEP-2:** 2U steel panel can be field-punched for controls. Use adhesive labels (included with controls) to indicate volume levels for each position.
- **Punched Panel No. LVC8P-ID-2:** 2U steel panel is pre-punched for installation of up to eight standard controls. Adhesive labels (included with controls) are not needed as this panel has been pre-printed with volume levels. Includes plastic pocket to hold a 1/2" paper label at the top.

