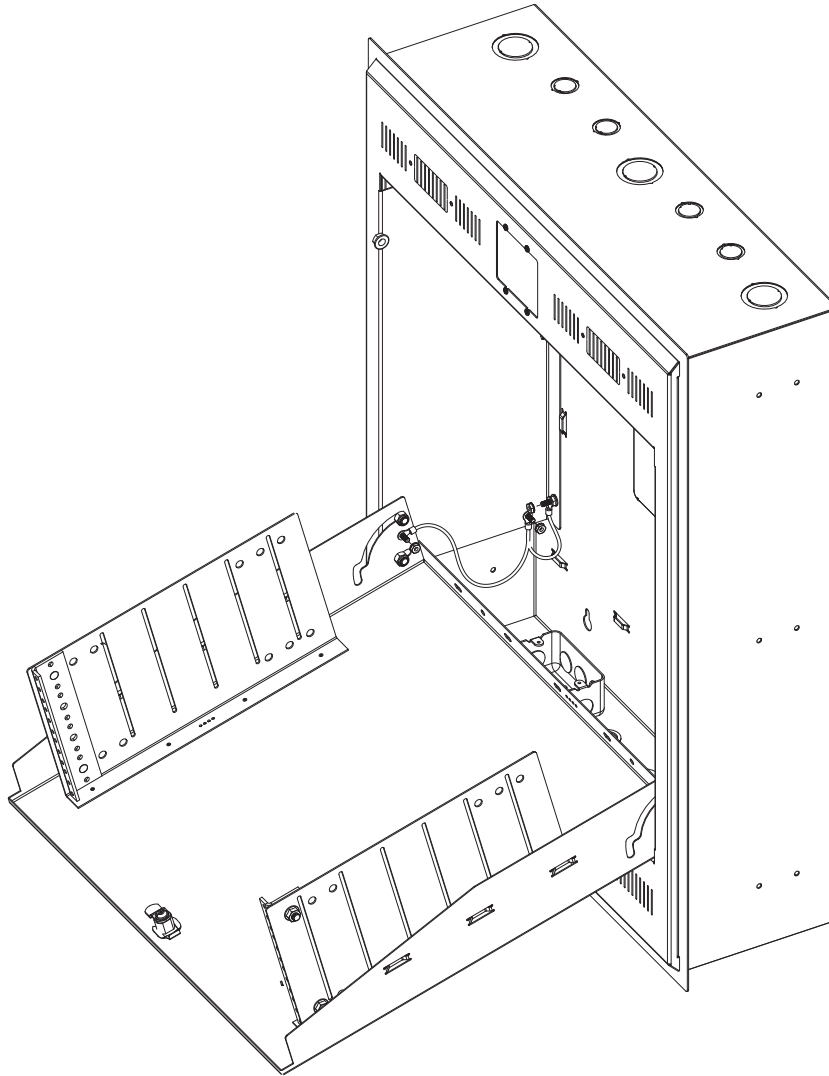


INSTRUCTION SHEET
TOR SERIES
TOR-X-20RP
FLUSH MOUNT TILT OUT WALL RACK



THANK YOU

Thank you for purchasing the TOR-X-20RP Flush Mount. Please read these instructions thoroughly before installing / assembling this product.

PRODUCT FEATURES

- Convenient tip-out design allows easy access to equipment controls
- Rackrail is included for use with rackmount equipment
- Mount non-rackmount equipment using included clamp bars

IMPORTANT SAFETY INSTRUCTIONS

- Read these instructions.
- Keep these instructions.
- Heed all warnings.
- Follow all instructions.
- Clean only with dry cloth.
- Only use attachments/accessories specified by the manufacturer.



WARNING: A WARNING ALERTS YOU TO A SITUATION THAT COULD RESULT IN SERIOUS PERSONAL INJURY OR DEATH.



CAUTION: A CAUTION ALERTS YOU TO A SITUATION THAT MAY RESULT IN MINOR PERSONAL INJURY OR DAMAGE TO THE PRODUCT AND / OR PROPERTY.

NOTE: A NOTE IS USED TO HIGHLIGHT PROCEDURES PERTAINING TO THE INSTALLATION, OPERATION OR MAINTENANCE OF THE PRODUCT.

IMPORTANT WARNINGS AND CAUTIONS!



WARNING! Failure to read, understand and follow the following information can result in serious personal injury, damage to the equipment or voiding of the warranty.



CAUTION: All installation and assemble steps must be performed by qualified personnel.



CAUTION: Ensure that the wall/floor has a structural load capacity that will support the weight of the cabinet fully loaded with equipment.



CAUTION: Some parts of the enclosure system may not be effectively bonded to the Protective Earth Terminal (PET). If these parts need to be bonded to the PET it should be done in accordance with Article 250 of the National Electrical Code.



CAUTION: Power cord(s), for fans or other accessories, need to be secured to ensure that they are routed away from pinch points and moving parts.



CAUTION: Do not attempt to unload or move the enclosures alone. Make sure to have sufficient amount of personnel and equipment to safely move this product.



CAUTION: The following parts are not effectively bonded to the protective earth terminal: Rackrails, lace bars, Lever Lock™, shelving, baffles, blank panels, and cable management equipment. If any part needs to be bonded to the protective earth terminal it shall be done in accordance with Article 250 of the National Electrical Code.



CAUTION: TO REDUCE THE RISK OF PERSONAL INJURY AND CONFORM TO THE UL LISTING THESE MOUNTING INSTRUCTIONS MUST BE FOLLOWED AND PROPER WEIGHT CAPACITIES MUST BE OBSERVED.



CAUTION: Maximum weight capacity is 100 lbs.

ASSEMBLY

Tools needed:

- Socket wrench set
- Power Drill and bit set

- 1) Construct a rough opening - 24.75" W x 30.312" H:
2 space - 2 x 4
3 space - 2 x 4 for partial, 2 x 6 for flush
4 space - 2 x 4, 2 x 6 for partial, 2 x 8 for flush
- 2) Disassembly is required prior to mounting. Open the door on the faceplate. To do this, the door must be slightly lifted and opened to the service position (105°). **(FIGURE A)**
- 3) Remove the six nuts that secure the faceplate to the backpan and remove the faceplate. **(FIGURE B)**

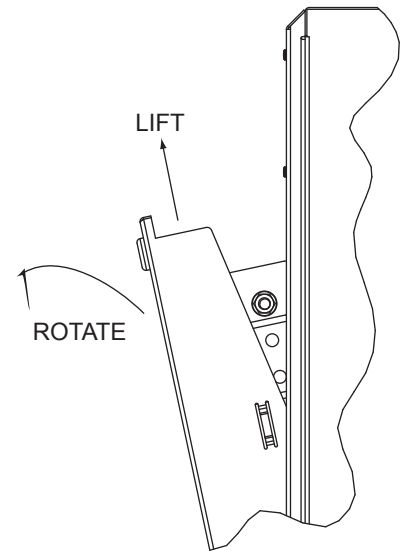


FIGURE A

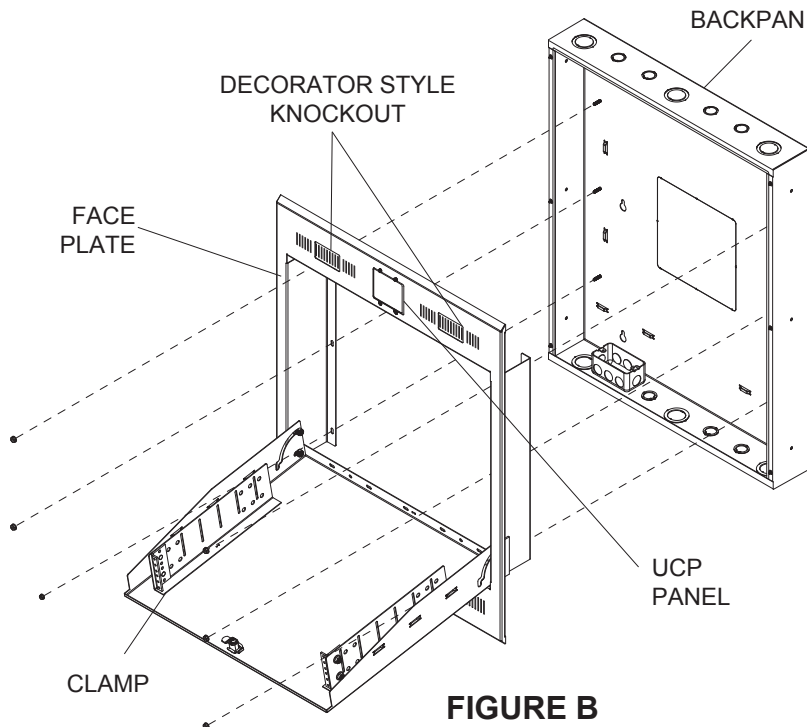


FIGURE B

NOTE: Do not use 8.5" x 8.5" square knock-out in backpan when flush mount installed. Knock-out must remain in place.

NOTE: If using with the partial recess trim kit (TOR-PRT), see Instruction Sheet I-00107. (optional accessory)

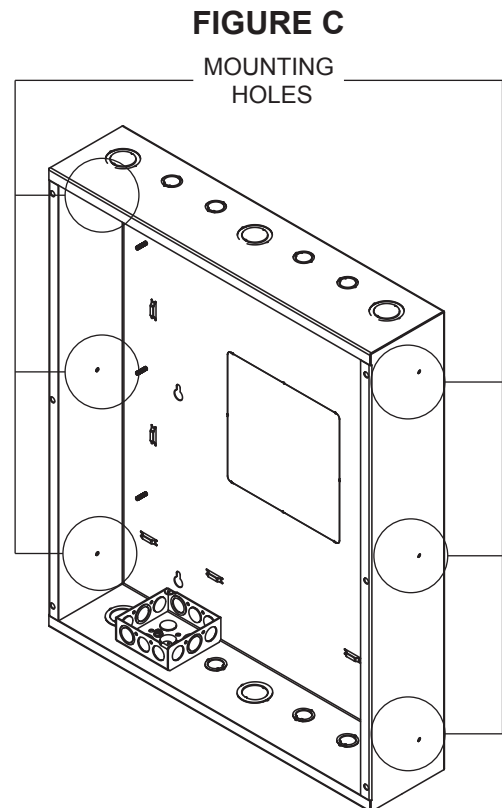
- 4) Using the customer supplied mounting hardware specified below, mount the backpan into the wall. **(FIGURE C)**

Block Wall Installation:

- 1) 5/8" pilot hole
- 2) 1/4" X 2" toggle bolt and washer

Wood Stud Wall Installation:

- 1) 1/8" pilot hole in center of stud
- 2) 1/4" X 2" lag bolt and washer



- 5) Re-assemble the faceplate to the backpan by re-using the six nuts. **(FIGURE B)**

CLAMP ASSEMBLY

NOTE: Middle Atlantic Products provides a clamp for use on non-rackmount equipment. On equipment that is rackmounted, clamp is not required and can be discarded.

Choose a desired location for clamp and assemble clamp to ears using screws and nuts provided (See **FIGURE D**). Slide clamp brackets securely down on equipment and tighten. Adjust stop bars to secure rear of equipment

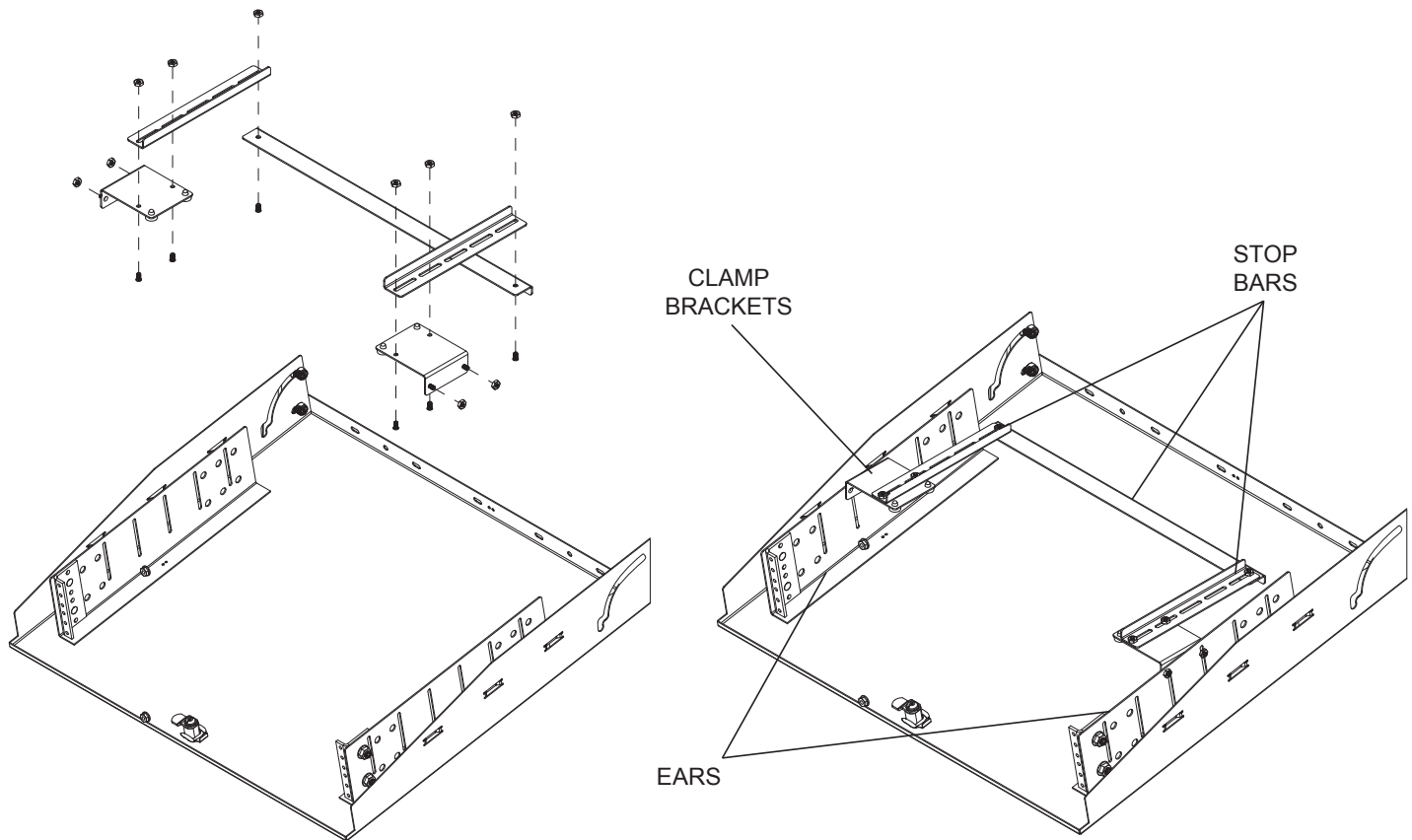


FIGURE D


OPTIONAL ACCESSORY:

UNIVERSAL CONNECTOR PANEL

For Middle Atlantic Products UCP modules (used to mount commonly used connectors), see middleatlantic.com for details. To install, remove blank panel and install re-using hardware provided.

NOTE: Some of the UCP panels may need to be mounted on the surface of the faceplate.

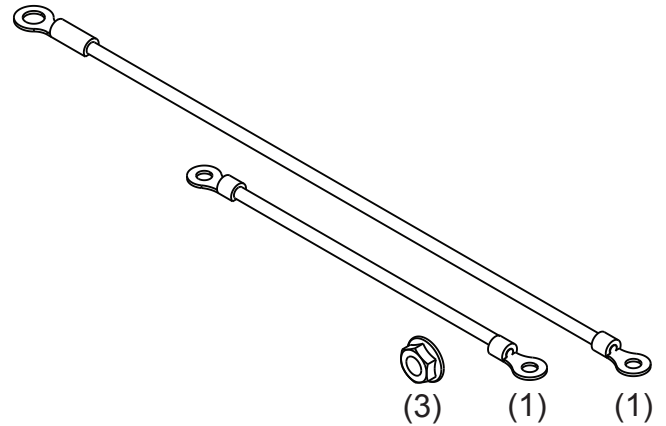
GROUNDING AND BONDING

Protective Earth Terminals (PET) are located in backpan of the wall rack. These terminals are marked with the symbol . Wall rack parts, center section and door, contain or are provided with bonding points for connection to the backpan / PET. Protective earth and bonding connections shall be in accordance with Article 250 of the National Electric Code.

OPTIONAL PROTECTIVE EARTH TERMINAL KIT: #PET-K-WRP/S

PARTS LIST

	<u>QTY</u>
• Backpan bonding wire [12 Gauge Wire (#10 ring terminal to 1/4" ring terminal) 10"]	(1)
• Door bonding wire [12 Gauge Wire (#10 ring terminal to #10 ring terminal) 5"]	(1)
• Locking Nut 10-32	(3)



- 1) Attach **backpan bonding wire** from 10-32 backpan protective earth terminal (PET) to door bonding point.

NOTE: The main protective earth ground needs to be the first terminal placed on the PET and this terminal needs to be secured on its own with a nut. The bonding wire for the center section can be added to the PET after securing the nut for the main ground.

- 2) Attach **door binding wire** to access door bonding stud (10-32) and door bonding stud (10-32) using hardware provided (included).

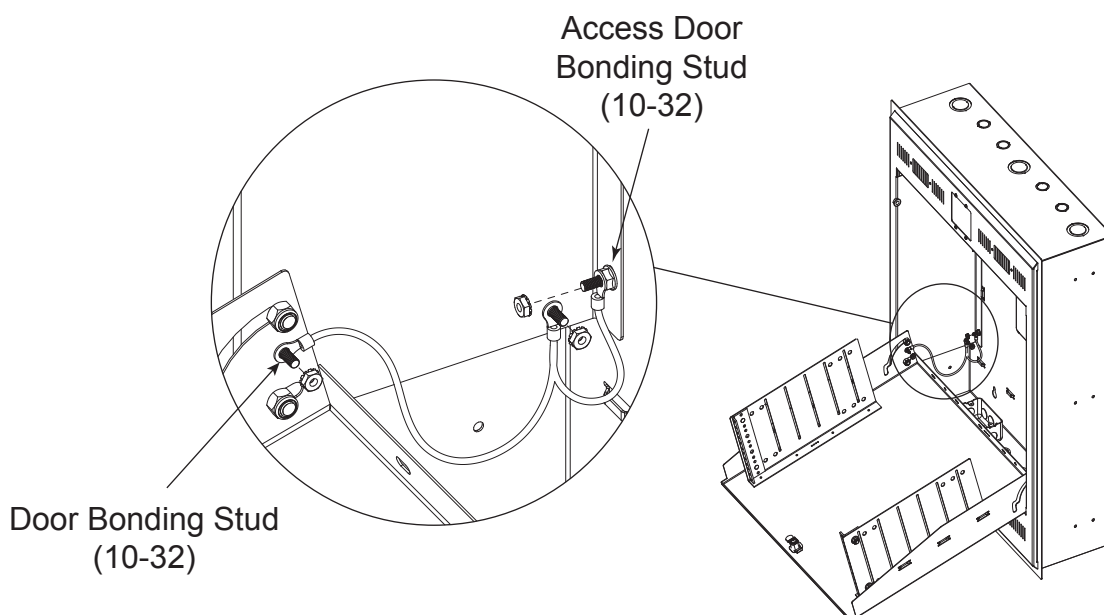


FIGURE E

WARRANTY

Middle Atlantic Products (the "Company") warrants the TOR-X-20RP Flush Mount to be free from defects in material or workmanship under normal use and conditions for the lifetime of the product.

The Company's entire liability to the purchaser, and the purchaser's (or any other party's) sole and exclusive remedy, under this warranty shall be limited, at the Company's option, to either (a) return of and refund of the price paid for, or (b) repair or replacement at the Company's factory of the products purchased, or any part or parts thereof, which the Company has determined to be defective after inspection thereof at the Company's factory.

This warranty does not cover damage due to acts of God, accident, misuse, abuse or negligence by parties other than the Company, or any modification or alteration of the products. In addition, this warranty does not cover damage due to improper handling, assembly, installation or maintenance.

THIS WARRANTY IS IN LIEU OF ALL OTHER WARRANTIES OF ANY KIND, EITHER EXPRESSED OR IMPLIED, INCLUDING, BUT NOT LIMITED TO, IMPLIED WARRANTIES OF MERCHANTABILITY AND FITNESS FOR A PARTICULAR PURPOSE.

TO THE MAXIMUM EXTENT PERMITTED BY APPLICABLE LAW, IN NO EVENT SHALL THE COMPANY BE LIABLE FOR ANY SPECIAL, INCIDENTAL, INDIRECT, OR CONSEQUENTIAL DAMAGES WHATSOEVER (INCLUDING, WITHOUT LIMITATION, DAMAGES FOR LOSS OF BUSINESS PROFITS, BUSINESS INTERRUPTION OR ANY OTHER PECUNIARY LOSS) ARISING OUT OF THE USE OF THE PRODUCTS PURCHASED, EVEN IF THE COMPANY HAS BEEN ADVISED OF THE POSSIBILITY OF SUCH DAMAGES. THE COMPANY'S LIABILITY TO THE PURCHASER (OR ANY OTHER PARTY) HEREUNDER, IF ANY, SHALL IN NO EVENT EXCEED THE PURCHASE PRICE OF THE PRODUCTS PAID TO THE COMPANY.

Corporate Headquarters

Corporate Voice 973-839-1011 - Fax 973-839-1976
International Voice +1 973-839-8821 - Fax +1 973-839-4982
middleatlantic.com - info@middleatlantic.com

Middle Atlantic Canada

Voice 613-836-2501 - Fax 613-836-2690
middleatlantic.ca - customerservicecanada@middleatlantic.ca

Factory Distribution

USA: NJ - CA - IL Canada: ON - BC

At Middle Atlantic Products we are always listening. Your comments are welcome.

Middle Atlantic Products is an ISO 9001 and ISO 14001 Registered Company.