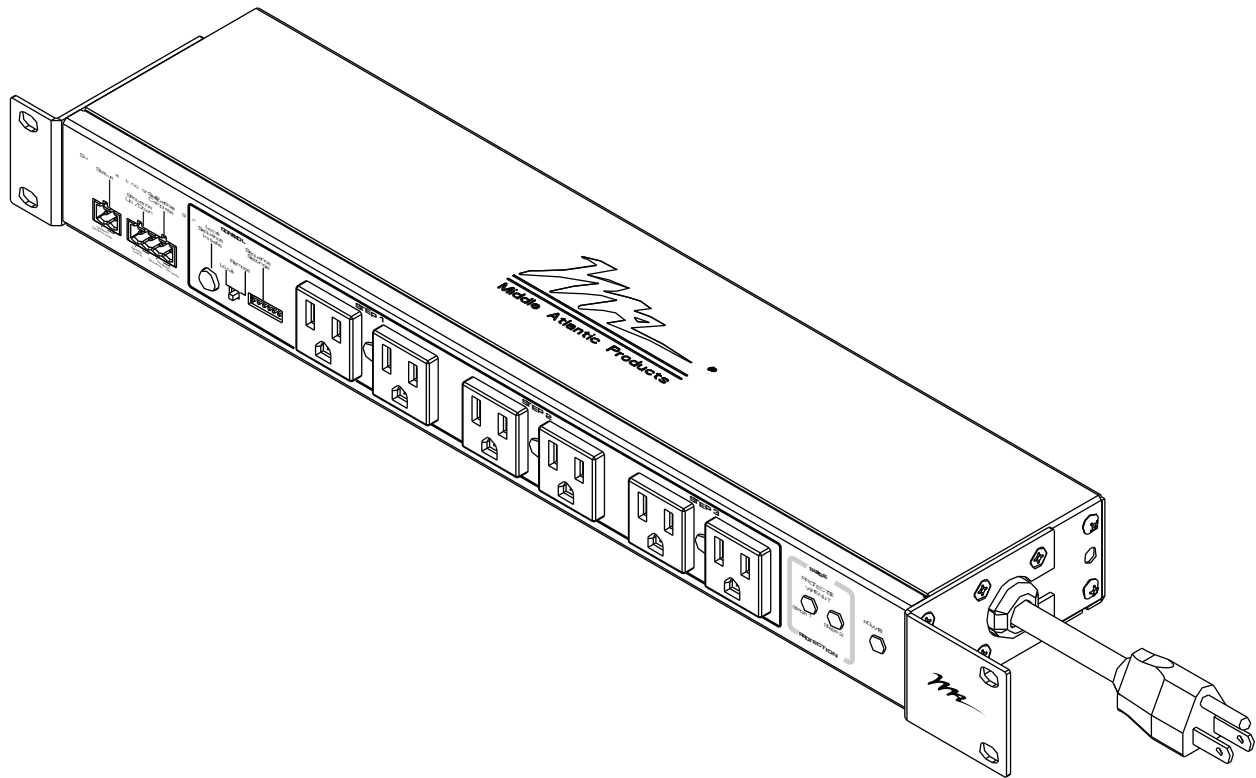


INSTRUCTION SHEET
PDS-SERIES
SEQUENCED MULTI-MOUNT™



THANK YOU

Thank you for purchasing Sequenced Multi-Mount™ Series Power. Please read these instructions thoroughly before installing and connecting to this product.

SEQUENCED MULTI-MOUNT POWER FEATURES

- 3 Step sequencing with multiple delay options
- Universal sequence control
- 2 Stages of surge and spike protection with dry contact surge status notification based on model
- Provides a high outlet density in a compact size
- Adjustable mounting ears for flexible installation options
- Mixed outlet spacing to accommodate various plug types

IMPORTANT SAFETY INSTRUCTIONS

READ AND SAVE THESE INSTRUCTIONS!
CONSERVER CES INSTRUCTIONS!

- Contains switched receptacle(s). To reduce risk of shock, disconnect the device from the power source before servicing any connected equipment

Contient de(s) receptacle(s) commuté(s). Pour réduire les risques d'électrocution, débranchez l'appareil de la source d'alimentation avant l'entretien de tout équipement connecté

- Do not overload the wall outlet where this device is being connected. Do not overload this device. Ensure the total load to this device does not exceed that which is listed in the specifications section of this manual

Ne surchargez pas le réceptacle de mur ou le circuit qui fournit l'énergie à ce appareil. Ne pas surcharger cette appareil. S'assurer que la charge totale à cet appareil ne dépasse pas celle qui est répertoriée dans la section des spécifications de ce manuel

- Ensure this device is connected to a properly grounded AC power source. Ensure the device is plugged into a source providing the required 120V. Do not use a plug adapter that defeats the ground pin of the AC plug

Assurez-vous cet appareil est connecté à une source d'alimentation C/A avec mise à la terre. Assurez-vous cet appareil est branché sur une source d'alimentation fournissant les nécessaires 120V. Ne pas utiliser un adaptateur qui contrecarre la broche de terre de la prise du cordon d'alimentation

- There are no user-serviceable components within this device. Removal of the cover from this device may present a shock hazard, and void the warranty

Il n'ya pas de composants réparables par l'utilisateur au sein de cet appareil. Retrait de la couverture de cet appareil peut présenter un danger d'électrocution et annuler la garantie

- To be used indoors in a dry location only

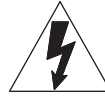
Pour être utilisé en intérieur dans un endroit sec seulement

- Do not operate with a damaged cord or plug

Ne pas faire fonctionner avec un cordon ou une prise endommagée

- Clean only with dry cloth

Nettoyer avec un chiffon sec seulement



DANGER HAZARDOUS VOLTAGE/DANGER HAUTE TENSION

The lightning flash with the arrowhead symbol, within an equilateral triangle is intended to alert the user to the presence of uninsulated dangerous voltage within the product's enclosure that may be of sufficient magnitude to constitute a risk of electric shock to persons.

L'éclair avec le symbole de flèche dans un triangle équilatéral est destiné à alerter l'utilisateur de la présence d'une tension dangereuse non isolée dans l'enceinte du produit qui peut être d'une ampleur suffisante pour constituer un risque de choc électrique pour les personnes.



CAUTION/ATTENTION

The exclamation point within an equilateral triangle is intended to alert the user to the presence of important operating and maintenance (servicing) instructions in the literature accompanying the appliance.

Le point d'exclamation dans un triangle équilatéral est destiné à alerter l'utilisateur de la présence d'importantes instructions d'opération et de maintenance (entretien) dans la documentation accompagnant l'appareil.

FCC STATEMENT

This equipment has been tested and found to comply with the limits for a Class B digital device, pursuant to PART 15 of the FCC Rules. These limits are designed to provide reasonable protection against harmful interference in a residential installation. This equipment generates, uses and can radiate radio frequency energy and, if not installed and used in accordance with the instructions, may cause harmful interference to radio communications. However, there is no guarantee that interference will not occur in a particular installation. If this equipment does cause harmful interference to radio or television reception, which can be determined by turning the equipment off and on, the user is encouraged to try to correct the interference by one or more of the following measures:

- Reorient or relocate the receiving antenna.
- Increase the separation between the equipment and receiver.
- Connect the equipment into an outlet on a circuit different from that to which the receiver is connected.
- Consult the dealer or an experienced radio/TV technician for help.

IMPORTANT NOTES

- Install power strip in a 19" EIA-310 compliant rack or cabinet.

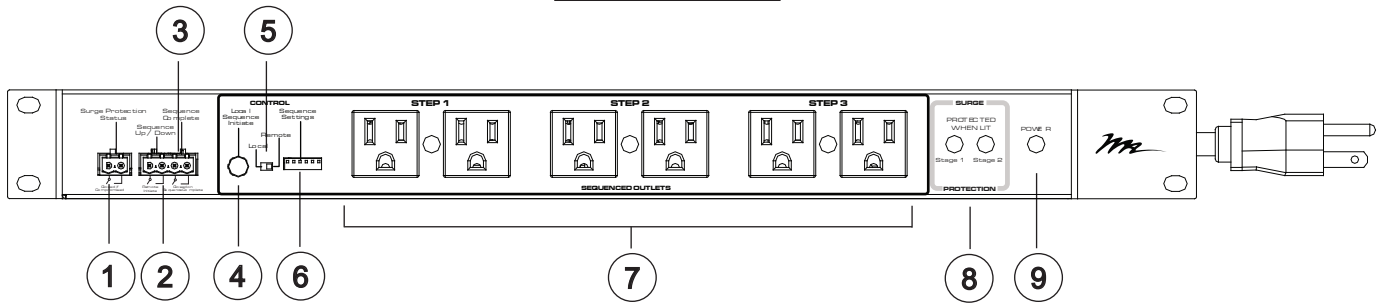
NOTE: The MAINS plug or an appliance coupler is used as the disconnect device, the disconnect device shall remain readily operable. The socket-outlet shall be installed near the equipment and shall be easily accessible.

SEQUENCED MULTI-MOUNT FEATURE CHART

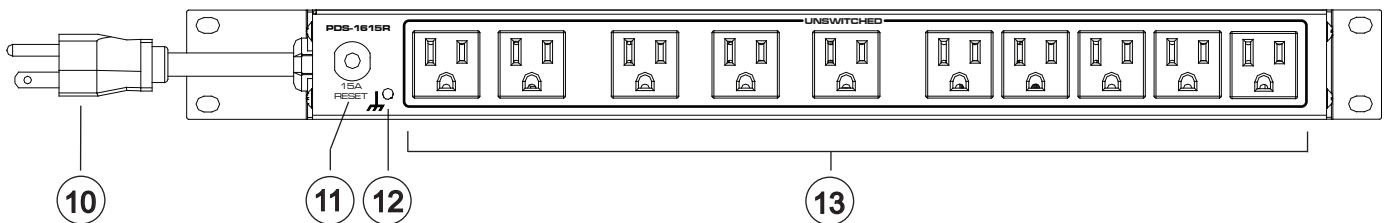
| Part # | Circuit Breaker | # Rear outlets | # Front outlets | # Sequence steps | # outlets per step | Sequence delay (in Sec) | Cord length | Breaker Location | Power on Indication | Surge Protection |
|--------------|-----------------|-----------------|-----------------|------------------|--------------------|----------------------------|-------------|------------------|---------------------|--|
| PDS-1615R | One 15 Amp | 10 (Unswitched) | 6 (Sequenced) | 3 | 2, with LED Status | 0, 1, 2, 6, 10, 30, 60, 90 | 9' | Rear | LED on Front | 2 stage with N/O remote dry contact notification |
| PDS-1620R-NS | One 20 Amp | 10 (Unswitched) | 6 (Sequenced) | 3 | 2, with LED Status | 0, 1, 2, 6, 10, 30, 60, 90 | 9' | Rear | LED on Front | N/A |

PDS-1615R

FRONT VIEW

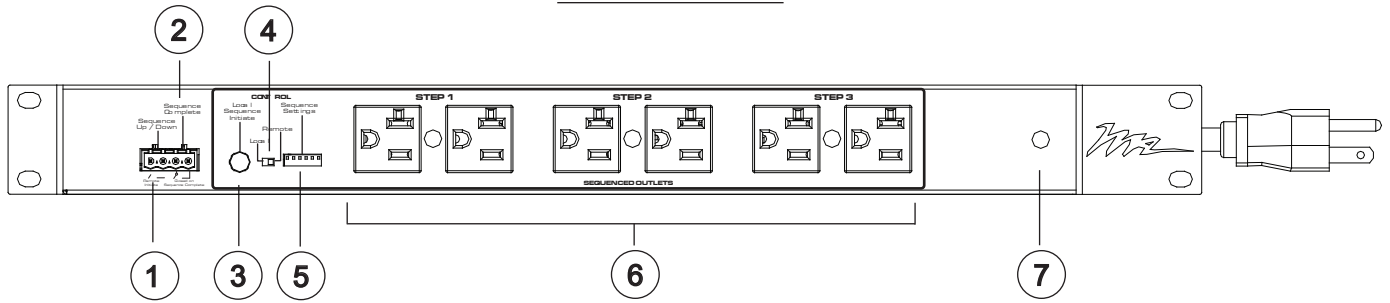


REAR VIEW

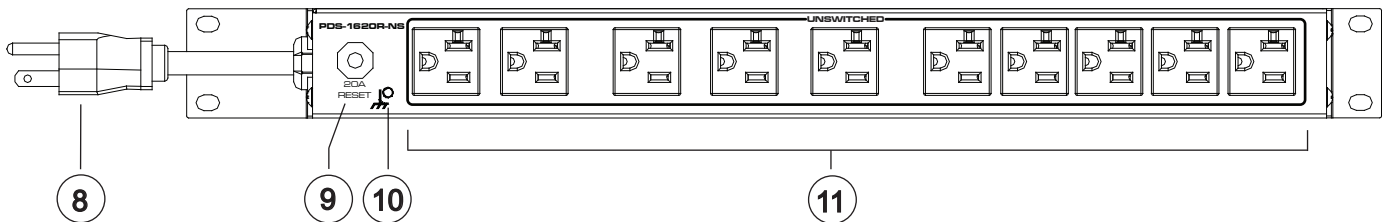


- ① SURGE PROTECTION STATUS - “Normally Open” remote notification dry contact, closed if compromised
- ② SEQUENCE UP / DOWN TERMINALS - Remote initiate
- ③ SEQUENCE COMPLETE TERMINALS - Closed on sequence power up , Open on sequence power down.
- ④ LOCAL SEQUENCE INDICATOR - Only active when “Local / Remote” switch set to “Local”
- ⑤ LOCAL / REMOTE SWITCH - “Local” to enable local sequence initiate switch / “Remote” to enable dry contact sequence control
- ⑥ SEQUENCE SETTINGS - Set sequence delay and control type (see pg. 5)
- ⑦ NEMA 5-15R SEQUENCED OUTLETS - 3 Steps, 2 outlets per step. Power status LEDs
- ⑧ 2 STAGE SURGE PROTECTION INDICATOR - Full protection when both LEDs are lit. Protection is compromised if one or both LEDs are not lit
- ⑨ POWER INDICATOR LIGHT - When lit, indicates unit is energized
- ⑩ 9', 14 AWG, 3 CONDUCTOR (SignalSAFE™) POWER CORD WITH NEMA 5-15P PLUG
- ⑪ 15 AMP CIRCUIT BREAKER - Provides protection for both front and rear outlets
- ⑫ SUPPLEMENTAL BONDING POINT - Supplemental bonding of this unit to the metal rack / enclosure helps ensure optimum performance of your electronic system
- ⑬ NEMA 5-15R OUTLETS - All rear outlets unswitched

FRONT VIEW



REAR VIEW



- ① SEQUENCE UP / DOWN TERMINALS - Remote initiate
- ② SEQUENCE COMPLETE TERMINALS - Closed on sequence power up, Open on sequence power down.
- ③ LOCAL SEQUENCE INDICATOR / SWITCH - Only active when “Local / Remote” switch set to “Local”
- ④ LOCAL / REMOTE SWITCH - “Local” to enable local sequence initiate switch / “Remote” to enable dry contact sequence control
- ⑤ SEQUENCE SETTINGS - Set sequence delay and control type (see pg. 5)
- ⑥ NEMA 5-20R SEQUENCED OUTLETS - 3 Steps, 2 outlets per step. Power status LEDs
- ⑦ POWER INDICATOR LIGHT - When lit, indicates unit is energized
- ⑧ 9', 12 AWG, 3 CONDUCTOR (SignalSAFE™) POWER CORD WITH NEMA 5-20P PLUG
- ⑨ 20 AMP CIRCUIT BREAKER - Provides protection for both front and rear outlets
- ⑩ SUPPLEMENTAL BONDING POINT - Supplemental bonding of this unit to the metal rack / enclosure helps ensure optimum performance of your electronic system
- ⑪ NEMA 5-20R OUTLETS - All rear outlets unswitched

SEQUENCE CONTROL OPTIONS

SEQUENCE DELAY SETTINGS



Sequence Interval: No Delay



Sequence Interval: Ten Seconds



Sequence Interval: One Second



Sequence Interval: Thirty Seconds



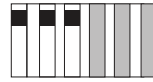
Sequence Interval: Two Seconds



Sequence Interval: Sixty Seconds



Sequence Interval: Six Seconds

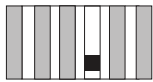


Sequence Interval: Ninety Seconds

REMOTE SETTINGS



Normally Closed - Sequence up on contact opening.



Normally Open - Sequence up on contact closure.

⚠ To sequence units up when power is restored from a total power loss:

1. Set DIP switch to **Normally Open**
2. Connect a single pole, momentary, normally closed dry contact to the SEQUENCE UP/DOWN TERMINALS

NOTE: If local sequence control is not required, short the SEQUENCE UP/DOWN TERMINALS together



Momentary Operation

Sequence up or down (depending on state) when remote control contact is toggled.



Maintained Operation

For normally open mode sequence up when remote control contact is closed sequence down when remote control contact is opened. For normally closed mode sequence up when remote control contact is open sequence down when remote control contact is closed.



Sequence Complete Status

Contact closes upon completion of sequence cycle on and opens after completion of sequence off.



Step 4

Contact becomes a 4th step in the sequence cycle on and off, contact closes last with a sequence on and opens first with sequence off.

CONTINUED ON NEXT PAGE

- While using remote sequencing dry contact terminals, be sure to use the appropriate settings for whichever contact closure system you are implementing. Failure to do so may result in improper operation.

Ex: Do not attempt to control the unit using a ‘maintained’ switch while in ‘momentary’ mode.

Ex: Unless you are using a ‘normally closed’ ‘momentary’ switch, make sure your system is set for ‘normally open’ when operating in ‘momentary’ mode.

CONTROLLING MULTIPLE UNITS

The remote control option is controlled via a user provided dry contact closure. Multiple sequencers can be controlled by one switch in either a daisy chain fashion or simultaneously. ‘Momentary’ or ‘maintained’, ‘normally open’ or ‘normally closed’ settings will vary based on the method selected. See below for details.

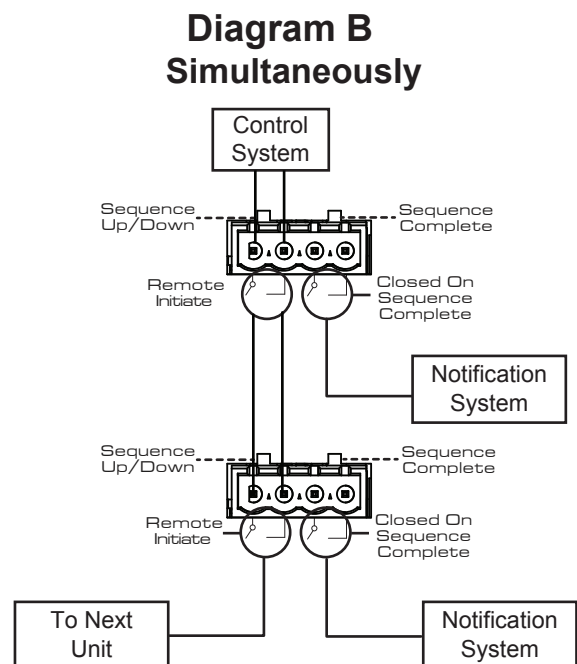
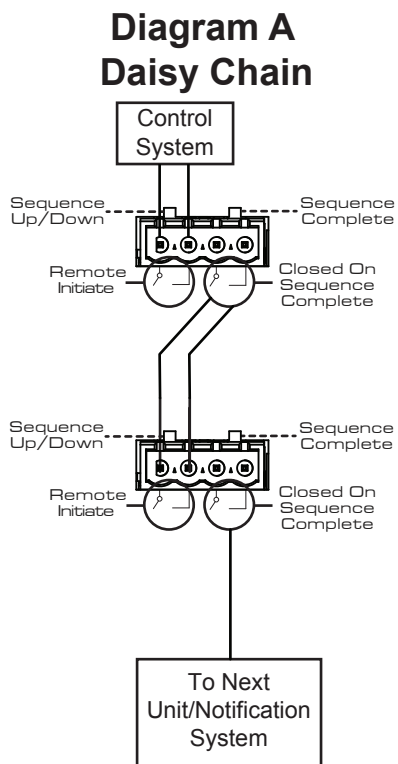
There are two connection methods when multiple sequencers are to operate as one system;

The first method is to have multiple units operate in succession in a daisy chain fashion. This can be implemented by connecting the ‘Sequence Complete Status’ terminals of the first unit to the ‘Sequence Initiate terminals’ of the next unit. The first unit must have its ‘momentary’ or ‘maintained’ and ‘normally open’ or ‘normally closed’ settings set based on the switch or control system. All proceeding units must be set to operate in a ‘normally open’, ‘maintained’ format. The notification system for this method should be used at the very end of the “chain” to verify the end status for all units. (see Diagram A)

NOTE: the last channel of the first unit and the first channel of the second unit will turn on simultaneously because there is no delay on the sequence status terminals.

The second method is in a parallel fashion so that the sequencing of the units begins simultaneously. Simply connect the units in parallel to the control system or switch. All units must have their ‘momentary’ or ‘maintained’ and ‘normally open’ or ‘normally closed’ settings set identically based on the switch or control system. It is recommended that each unit has its own notification system in this setup to verify the status of each unit. (see Diagram B)

Note that Delay Time Settings affect units individually.



FLEXIBLE MOUNTING OPTIONS USING STANDARD OR EXTRA DEPTH MOUNTING EARS

NOTE: Mounting ears (standard or extra depth) can be rotated in 90° increments for a variety of mounting positions (FIGURE A).

- 1) Remove screws and rotate both mounting ears to desired position. Re-insert screws and tighten.
- 2) Install screws when positioned at 90° angle to cap unused holes (FIGURE B).

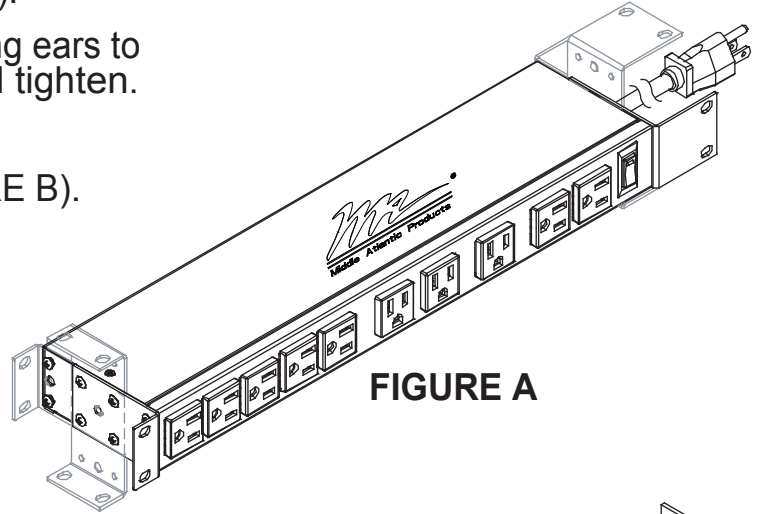


FIGURE A

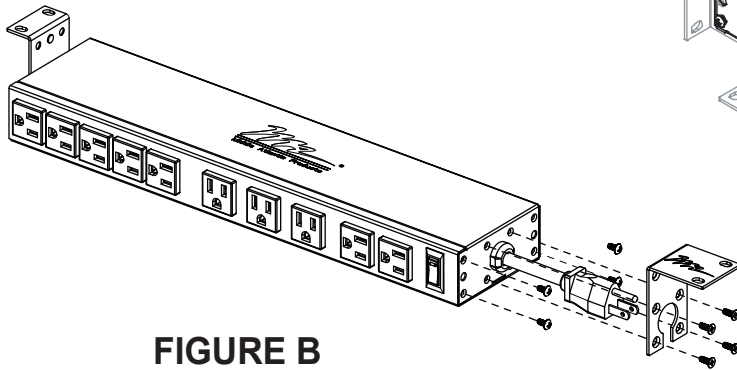
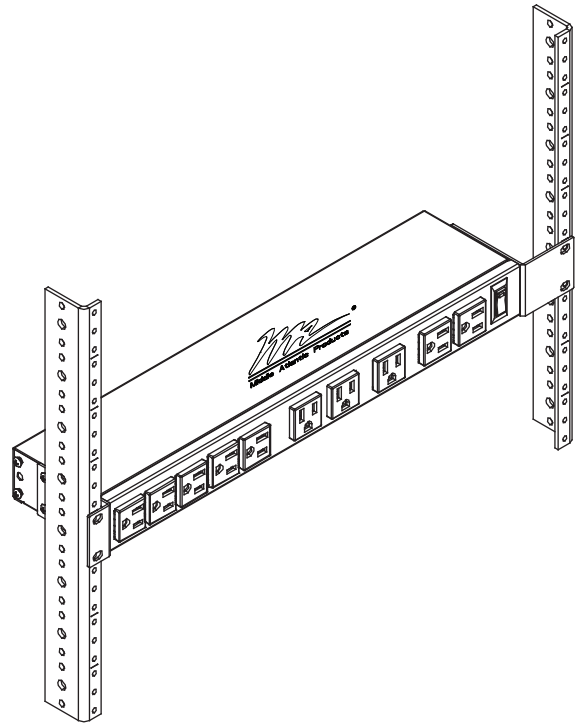
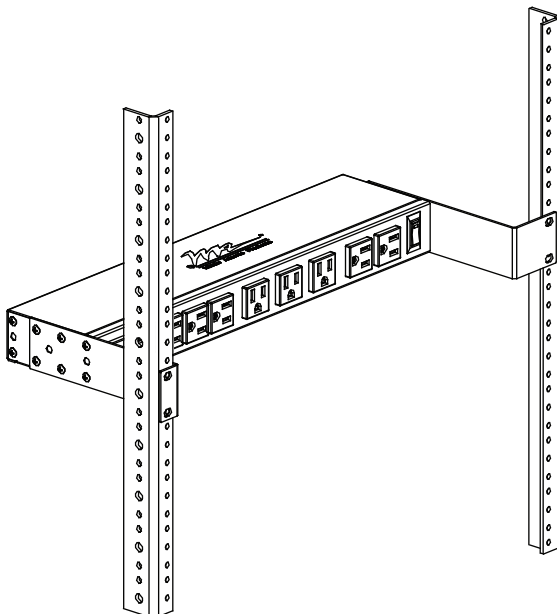


FIGURE B

(STANDARD MOUNTING EARS SHOWN)

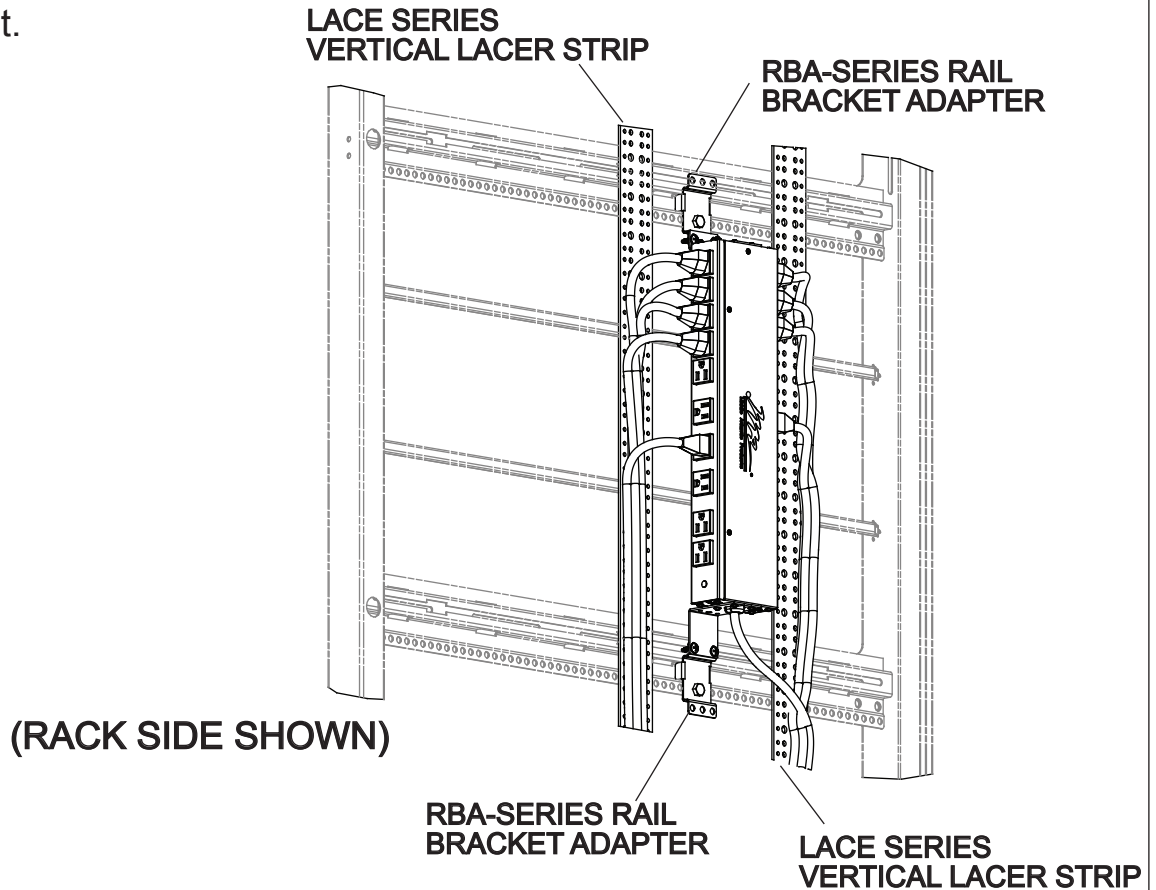


(EXTRA DEPTH MOUNTING EARS SHOWN)



FLEXIBLE MOUNTING OPTIONS USING STANDARD OR EXTRA DEPTH MOUNTING EARS (Continued)

- 3) Optional RBA-Series rail bracket adapters and vertical lacer strips (sold separately) allow the Multi-Mount Power unit to be vertically mounted between the rail brackets of WRK, MRK and VRK racks. The use of LACE Series vertical lacer strips is recommended to aid with cable management.



WARRANTY

Middle Atlantic Products, Inc. (the "Company") warrants the Sequenced Multi - Mount Series™ Power Units to be free from defects in material or workmanship under normal use and conditions for a period of (3) three years from date of shipment by the company. The Company's entire liability to the purchaser, and the purchaser's (or any other party's) sole and exclusive remedy, under this warranty shall be limited, at the Company's option, to either (a) return of and refund of the price paid for, or (b) repair or replacement at the Company's factory of the products purchased, or any part or parts thereof, which the Company has determined to be defective after inspection thereof at the Company's factory. This warranty does not cover damage due to acts of God, accident, misuse, abuse or negligence by parties other than the Company, or any modification or alteration of the products. In addition, this warranty does not cover damage due to improper handling, assembly, installation or maintenance.

THIS WARRANTY IS IN LIEU OF ALL OTHER WARRANTIES OF ANY KIND, EITHER EXPRESSED OR IMPLIED, INCLUDING, BUT NOT LIMITED TO, IMPLIED WARRANTIES OF MERCHANTABILITY AND FITNESS FOR A PARTICULAR PURPOSE.

TO THE MAXIMUM EXTENT PERMITTED BY APPLICABLE LAW, IN NO EVENT SHALL THE COMPANY BE LIABLE FOR ANY SPECIAL, INCIDENTAL, INDIRECT, OR CONSEQUENTIAL DAMAGES WHATSOEVER (INCLUDING, WITHOUT LIMITATION, DAMAGES FOR LOSS OF BUSINESS PROFITS, BUSINESS INTERRUPTION OR ANY OTHER PECUNIARY LOSS) ARISING OUT OF THE USE OF THE PRODUCTS PURCHASED, EVEN IF THE COMPANY HAS BEEN ADVISED OF THE POSSIBILITY OF SUCH DAMAGES. THE COMPANY'S LIABILITY TO THE PURCHASER (OR ANY OTHER PARTY) HEREUNDER, IF ANY, SHALL IN NO EVENT EXCEED THE PURCHASE PRICE OF THE PRODUCTS PAID TO THE COMPANY.

Corporate Headquarters

Corporate Voice 973-839-1011 - Fax 973-839-1976 / International Voice +1 973-839-8821 - Fax +1 973-839-4982
middleatlantic.com - info@middleatlantic.com

Middle Atlantic Canada

Voice 613-836-2501 - Fax 613-836-2690 / middleatlantic.ca - customerservicecanada@middleatlantic.ca

Factory Distribution

USA: NJ - CA - IL Canada: ON - BC

At Middle Atlantic Products we are always listening. Your comments are welcome.