

PortaCom Intercom

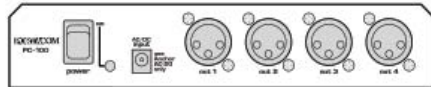
2 Channel Wired Full Duplex Intercom Specifications

Advancing Technology

A flexible, high-performance wired intercom system, the PortaCom is built smart and simple. It gives you two channels without sacrificing power or quality, is expandable and portable or rack mountable. It even has an optional battery supply module for remote locations. PortaCom is priced for the junior high school theater, local cable studio or high school football coach.

PC-100 - Two-Channel Power Console

Power console with four outputs; rack-mountable. Includes wallmount AC adapter.



BP-200 - Belt Pack

Lightweight aluminum belt pack with volume control, A/B channel switch and mic and call button with LED indicator.



B3-100 - Branch Box

3-Station branch box for expanding PortaCom systems.



PORTACOM SYSTEM COMPONENTS



H-200
Dual-earpiece headset

H-200S
Single-earpiece headset

PORTACOM MODELS

COM-40FC Four User Package:

4 ea headsets & belt packs, 1 ea power console & deluxe carrying case (no cables)

COM-60FC Six User Package:

6 ea headsets & belt packs, 1 ea power console, branch box & deluxe carrying case (no cables)

COM-40FC/C Four User Package:

4 ea headsets, belt packs & 50' cables, 1 ea power console, deluxe carrying case & cable bag

COM-60FC/C Six User Package:

6 ea headsets & belt packs, 7 50' cables, 1 ea power console, branch box, deluxe carrying case & cable bag

2-YEAR WARRANTY!

2 CHANNEL - WIRED FULL DUPLEX SYSTEM

HIGH PERFORMANCE / LOW COST

AC/DC OPERABLE

PORTABLE OR RACKMOUNTABLE
(1 U RACK SPACE)

DURABLE LIGHTWEIGHT METAL PACKS

UP TO 20 HEADSET CAPACITY

STANDARD 3 PIN XLR MICROPHONE CABLES

EASY TO SETUP AND OPERATE

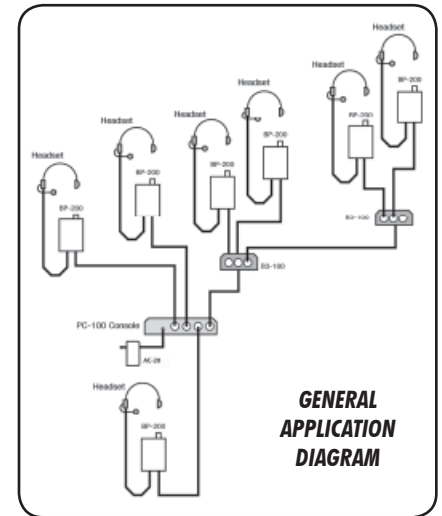
COMFORTABLE & LIGHTWEIGHT NOISE
CANCELLING HEADSETS

OPTIONAL SINGLE, DUAL OR MIXED HEADSETS

MADE IN THE USA!

PORTACOM ACCESSORIES

- | | |
|----------------------------|-----------------------------|
| PGM-100 Mixer | AC-20 Power module |
| HC-PC Carrying case | EX-25M XLR cable/25' |
| RM-100 PC-100 rack | EX-50M Extension/50' |
| CC-PC Cable bag | EX-75M XLR cable/75' |



GENERAL APPLICATION DIAGRAM

PORTACOM INTERCOM TECHNICAL SPECIFICATIONS

Operating Distance Up to 2,500 ft (total cable length)
 Normal Line Level -15dBV
 Signal-to-Noise Ratio -65dB
 Distortion < 0.5%
 Connecting Cables Standard 1-pair shielded mic cable w/ 3-pin XLR (heavy-duty cable recommended for runs over 250 ft)
 Compatibility Generally compatible w/ industry standard system (call for info)

B3-100 - Branch Box
 Connectors (3-pin XLR) Input - 1 female / Output - 3 male
 Dimensions 1.9 x 4.1 x 4.25" / 48 x 105 x 108 mm
 Weight 19.2 oz / 0.5 kg

BP-200 - Belt pack
 Input Line Connector 3-pin XLR - female
 Headset Connector 4-pin XLR - male
 Bridging Impedance 10k ohm min
 DC Current Reqs. 20mA max
 Dimensions 3.6 x 2.6 x 2.1" / 91 x 66 x 53 mm
 Weight 7.36 oz / 0.2 kg
H-200/H-200S - Dual-Earpiece/Single-Earpiece Headset
 Connector 4-pin XLR - female
 Microphone Type Dynamic, low impedance
 Dimensions 3.5 x 7.4 x 7.9" / 8.9 x 18.8 x 20 cm
 Weight H-200 16 oz / .45 kg
 H-200S 13 oz / .37 kg

PC-100 - Two-Channel Power Console
 Output Connectors 3-pin XLR - 4 male
 Voltage Output 22 volts DC to belt packs
 Max. Current Capacity 400mA
 Max. Belt Packs 20 BP-200 belt packs
 Input Power Reqs. 24VAC, 50/60Hz, 750mA;
 30 - 40VDC, 500mA
 Dimensions 1.75 x 8.5 x 4.5" / 45 x 216 x 114 mm
 Weight 57.6 oz / 1.63 kg
 AC Power Adapter Anchor model AC-20
 Input Voltage 120VAC, 60Hz
 Output Voltage/Current 24VAC @ 750mA

(FEATURES & SPECIFICATIONS SUBJECT TO CHANGE WITHOUT NOTICE)



Anchor Audio, Inc.

Portable Sound Systems • Torrance, California

888/444-6077

www.anchoraudio.com