

OBEY™



User Manual

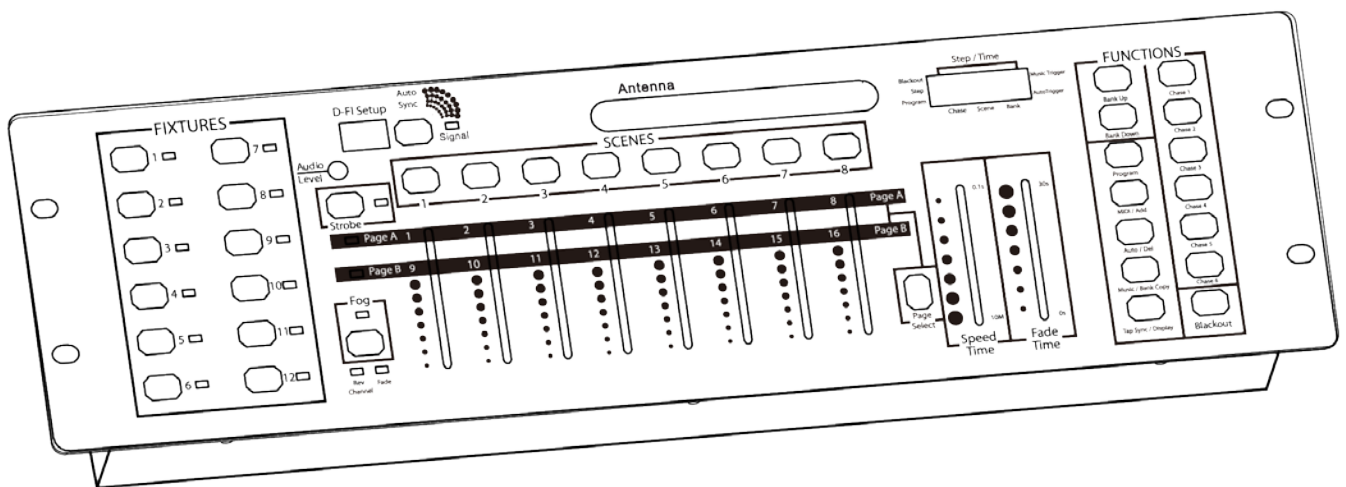
The logo for Chauvet, featuring a stylized 'C' above the word 'CHAUVET' in a bold, blocky font with a registered trademark symbol.

TABLE OF CONTENTS

1. Before You Begin	11
What Is Included	11
Unpacking Instructions	11
Claims.....	11
Conventions.....	11
Symbols.....	11
Disclaimer	11
Product at a Glance	12
Safety Notes	12
2. Introduction	13
Features.....	13
Product Description	13
Mounting	13
Mounting Dimensions.....	13
Wireless D-Fi™ Concepts	14
Programming Concepts.....	14
Panel Overviews.....	15
Front Panel View	15
Front Panel Controls	16
Control Descriptions.....	16
Back Panel View.....	18
Back Panel Ports.....	18
DMX Polarity	18
3. Setup	19
AC Power.....	19
Mounting	19
Setting Up The Board	19
D-Fi™ Configuration.....	19
Configuration Notes.....	19
DIP Switches	20
DIP Switch Table	20
Using Manual Channel Selection	21
Using Auto-Sync Channel Selection	21
D-Fi™ Signal Indicator	21
DMX Cabling.....	22
DMX Cabling Diagram	22
D-Fi™ Communication.....	22
D-Fi™ Diagram	22
DMX Addressing.....	23
DMX Addressing Chart	23
Faders and Pages	23
Fader DMX Addresses	23
Fader Customizations.....	24
Creating A Fader Assignment	24
Copying A Fader Assignment	25
Creating A Fader Reversal.....	25
Resetting The Board.....	25
4. Programming	26
Program Mode	26

Entering Program Mode	26
Exiting Program Mode.....	26
I. Programming Lights.....	26
Programming Two Products.....	27
II. Programming Scenes	28
Creating A Scene	28
Deleting A Scene.....	29
Deleting A Bank of Scenes	29
Deleting All Scenes	29
III. Programming Chases.....	30
Creating A Chase From Individual Scenes	30
Creating A Chase From A Bank Of Scenes.....	31
Modifying A Chase	31
Adding A Step To A Chase	32
Deleting A Step From A Chase.....	33
Deleting A Chase	33
Deleting All Chases.....	33
5. Playback.....	34
Playback Mode	34
Scene Playback	34
Manual Scene Playback.....	34
Auto Scene Playback	35
Auto Scene Playback Using Tap-Sync.....	35
Music Scene Playback	35
Chase Playback.....	36
Auto Chase Playback.....	36
Auto Chase Playback Using Tap Sync.....	36
Music Chase Playback.....	36
MIDI Operation	37
MIDI Map.....	37
Fog Control	38
Strobe Control.....	38
Audio Sensitivity Knob	38
6. Technical Information.....	39
Maintenance	39
Technical Specifications	39
Returns.....	40
Contact Us	41
1. Antes de Empezar	42
Qué va Incluido	42
Instrucciones de Desembalaje	42
Reclamaciones.....	42
Convenciones	42
Símbolos.....	42
Exención de Responsabilidad	42
El Producto de un Vistazo	43
Notas de Seguridad	43
2. Introducción.....	44
Características	44
Descripción del Producto.....	44
Montaje	44

Dimensiones de Montaje.....	44
Conceptos Wireless D-Fi™	45
Conceptos de Programación	45
Vistas Generales del Panel	46
Vista del Panel Frontal.....	46
Controles del Panel Frontal.....	47
Descripciones del Control	47
Vista del Panel Posterior.....	50
Puertos del Panel Posterior.....	50
Polaridad DMX	50
3. Configuración.....	51
Corriente Alterna.....	51
Montaje	51
Instalación de la Mesa	51
Configuración D-Fi™	51
Notas de Configuración.....	51
Conmutadores DIP.....	52
Tabla de Conmutadores DIP	53
Usar la Selección de Canal Manual	54
Usar la Selección de Canal de Sincronización Automática	54
Indicador de.....	54
Señal D-Fi™	54
Cableado DMX	55
Diagrama de Cableado DMX	55
Comunicación D-Fi™	55
Diagrama D-Fi™	55
Asignación de Direcciones DMX	56
Tabla de Asignación de Direcciones DMX.....	56
Deslizadores y Páginas	56
Direcciones DMX del Deslizador	57
Personalización del Deslizador.....	57
Crear una Asignación de Deslizador.....	58
Copiar una Asignación del Deslizador	59
Crear una Inversión de Deslizador.....	59
Reiniciar la Mesa	59
4. Programación.....	60
Modo Programa.....	60
Entrar en el Modo Programa	60
Salir del Modo de Programa	60
I. Programar las Luces.....	60
Programar dos Productos	61
II. Programar Escenas.....	62
Crear una Escena	62
Borrar una Escena	63
Borrar un Banco de Escenas	63
Borrar Todas las Escenas.....	64
III. Programar Secuencias	64
Crear una Secuencia a Partir de Escenas Individuales.....	64
Crear una Secuencia a Partir de un Banco de Escenas	65
Modificar una Secuencia.....	65
Añadir un Paso a una Secuencia	66

Borrar un Paso de una Secuencia.....	67
Borrar una Secuencia.....	67
Borrar Todas las Secuencias	67
5. Reproducción	68
Modo Reproducción	68
Reproducción de Escena	68
Reproducción Manual de Escena	68
Reproducción Automática de Escena.....	69
Reproducción Automática de Escena Usando Sincronización al Toque	69
Reproducción de Escena por Música	69
Reproducción de Secuencia.....	70
Reproducción Automática de Secuencia.....	70
Reproducción Automática de Secuencia Usando Sincronización al Toque	70
Reproducción de Secuencia por Música	70
Funcionamiento MIDI.....	71
Mapa MIDI.....	71
Control de Niebla	72
Control de Estroboscopio	72
6. Información Técnica	73
Mantenimiento	73
Especificaciones Técnicas.....	73
Devoluciones	74
Contacto	75
1. Avant de Commencer	76
Contenu	76
Instructions de Déballage	76
Réclamations.....	76
Conventions.....	76
Symboles	76
Clause de non Responsabilité.....	76
Bref Descriptif de l'Unité.....	77
Consignes de Sécurité.....	77
2. Introduction	78
Caractéristiques.....	78
Description de l'Appareil	78
Installation.....	78
Dimensions de Montage	78
Principe de Fonctionnement Sans Fil D-Fi™	79
Principes de Programmation	79
Vue d'Ensemble des Panneaux	80
Vue du Panneau Frontal.....	80
Commandes du Panneau Avant.....	81
Description des Commandes	81
Vue du Panneau Arrière	84
Ports du Panneau Arrière.....	84
Polarité DMX	84
3. Configuration.....	85
Alimentation CA.....	85
Installation.....	85
Configuration de la Console	85
Configuration D-Fi™	85

Remarques sur la Configuration	85
Interrupteurs DIP	86
Paramétrage des Interrupteurs DIP	86
Utilisation de la Sélection Manuelle de Canal	87
Utilisation de la Sélection de Canal par Synchronisation Automatique (Auto-Sync)	87
Voyant du Signal D-Fi™	87
Câblage DMX	88
Schéma de Câblage DMX	88
Communication D-Fi™	88
Diagramme D-Fi™	88
Adressage DMX.....	89
Tableau d'Adressage DMX	89
Potentiomètres et Pages	89
Adresses DMX des Potentiomètres.....	90
Personnalisations des Potentiomètres	90
Création d'Une Affectation de Potentiomètre.....	91
Copie d'Une Affectation de Potentiomètre	92
Création d'Une Inversion de Potentiomètre	92
Réinitialisation de la Console.....	92
4. Programmation.....	93
Mode Programmation	93
Entrer Dans le Mode Programmation	93
Sortir du Mode Programmation.....	93
I. Programmation des Projecteurs.....	93
Programmation de Deux Appareils	94
II. Programmation des Scènes	95
Créer une Scène	95
Supprimer une Scène	96
Supprimer une Banque de Scènes.....	96
Supprimer Toutes les Scènes.....	97
III. Programmation des Chenillards	97
Création d'un Chenillard à Partir des Scènes Individuelles.....	97
Création d'un Chenillard à Partir d'une Banque de Scènes.....	98
Modifier un Chenillard	98
Ajouter un Pas à un Chenillard	99
Supprimer un Pas d'un Chenillard.....	100
Supprimer un Chenillard.....	101
Supprimer Tous les Chenillards	101
5. Lecture.....	102
Mode Lecture	102
Lecture de Scène.....	102
Lecture Manuelle de Scène	103
Lecture Automatique de Scène.....	104
Lecture Automatique de Scène en Utilisant la Fonction Tap-Sync	104
Lecture de Scène par la Musique	104
Lecture de Chenillards.....	105
Lecture Automatique de Chenillard.....	105
Lecture Automatique de Chenillard avec Utilisation de la Fonction Tap-Sync	105
Lecture de Chenillard avec Musique.....	105
Fonctionnement MIDI	106
Configuration MIDI	106

Commande du Brouillard.....	107
Commande de Stroboscope.....	107
Bouton de Sensibilité Audio.....	107
6. Informations Techniques	108
Entretien.....	108
Spécificités Techniques	108
Renvois.....	109
Nous Contacter	110
1. Erste Schritte	111
Packungsinhalt	111
Anweisungen für das Auspacken	111
Schadensmeldung	111
Konventionen	111
Symbole.....	111
Haftungsausschluss	111
Produktüberblick.....	112
Sicherheits-hinweise	112
2. Einleitung	113
Eigenschaften	113
Produkt-beschreibung.....	113
Montage	113
Montage-abmessungen	113
Konzepte mit drahtlosem	114
D-Fi™.....	114
Programmierungskonzepte	114
Übersichten der Bedienfelder	115
Ansicht des vorderen Bedienfelds.....	115
Steuerungsmöglichkeiten vorderes Bedienfeld	116
Beschreibungen der Steuerungsfunktionen.....	116
Ansicht des rückwärtigen Bedienfelds.....	119
Anschlüsse des rückwärtigen Bedienfelds.....	119
DMX-Polarität.....	119
3. Einrichten des Geräts.....	120
Wechselstrom	120
Montage	120
Einrichten des Mischpults	120
D-Fi™-Konfiguration	120
Hinweise zur Konfiguration.....	120
DIP-Schalter	121
DIP-Schalertabelle	121
Verwendung der manuellen Kanalauswahl	122
Verwendung der Auto-Sync-Kanalauswahl	122
D-Fi™-Signalanzeige	122
DMX-Verkabelung	123
Übersicht DMX-Verkabelung.....	123
D-Fi™-Kommunikation.....	123
D-Fi™-Schaltplan	123
DMX-Adressierung	124
Übersicht DMX-Adressierung.....	124
Fader und Seiten	124
DMX-Adressen der Fader.....	124

Benutzer-definierte Einstellung der Fader	125
Erstellen einer Fader-Zuweisung	125
Kopieren einer Fader-Zuweisung	126
Erstellen einer Fader-Umkehrung	126
Zurücksetzen des Mischpults	126
4. Programmierung	127
Programm-Modus	127
Aufrufen des Programm-Modus	127
Beenden des Programm-Modus	127
I. Programmierung der Leuchten	127
Programmierung von zwei Geräten	128
II. Programmierung von Szenen	129
Erstellen einer Szene	129
Löschen einer Szene	130
Löschen eines Multiplexers von Szenen	131
Löschen aller Szenen	131
III. Programmierung von Chases	132
Erstellen eines Chase aus einer einzelnen Szene	132
Erstellen eines Chase aus einem Multiplexer von Szenen	133
Ändern eines Chase	133
Hinzufügen eines Schritts zu einem Chase	134
Löschen eines Schritts aus einem Chase	135
Löschen eines Chase	135
Löschen aller Chases	135
5. Wiedergabe	136
Wiedergabe-Modus	136
Szenen-Wiedergabe	136
Manuelle Szenen-Wiedergabe	136
Automatische Szenen-Wiedergabe	137
Automatische Szenen-Wiedergabe mit Tap-Sync	137
Musikgesteuerte Szenen-Wiedergabe	137
Wiedergabe von Chases	138
Automatische Chase-Wiedergabe	138
Automatische Chase-Wiedergabe mit Tap Sync	138
Musikgesteuerte Chase-Wiedergabe	138
MIDI-Betrieb	139
MIDI-Zuordnung	139
Nebelsteuerung	140
Stroboskop-Steuerung	140
Einstellknopf für Musikempfindlichkeit	140
6. Technische Informationen	141
Wartung	141
Reklamationen	142
Kontakt	143
1. Voordat u begint	144
Wat is er inbegrepen	144
Uitpakinstructies	144
Claims	144
Conventies	144
Symbolen	144
Disclaimer	144

Product in het kort.....	145
Veiligheidsinstructies	145
2. Inleiding.....	146
Eigenschappen	146
Productbeschrijving	146
Montage.....	146
Montageafmetingen	146
Draadloze D-Fi™-concepten	147
Programmerings-concepten	147
Paneeloverzichten	148
Voorpaneelaanzicht.....	148
Bedienings-elementen van het voorpaneel.....	149
Beschrijvingen van de bedieningselementen.....	149
Achter-paneelaanzicht.....	151
Poorten op het achterpaneel.....	151
DMX-polariteit.....	151
3. Instelling.....	152
AC-stroom.....	152
Montage	152
Instellen van het bord.....	152
D-Fi™-configuratie.....	152
Configuratie-opmerkingen.....	152
DIP-schakelaars	153
DIP-schakelaartabel.....	153
Gebruik van handmatige kanaalselectie	154
Gebruik van automatische synchronisatie van kanaalselectie.....	154
D-Fi™-signaallampje.....	154
DMX-kabels	155
DMX-kabeldiagram	155
D-Fi™-communicatie	155
D-Fi™-diagram.....	155
DMX-addressering.....	156
DMX-addresserings-diagram	156
Faders en pagina's	156
DMX-adressen van de fader.....	156
Faderaan-passingen.....	157
Creëren van eenfadertoe-wijzing	157
Kopiëren van een fadertoe-wijzing	158
Creëren van een faderomkering	158
Resetten van het bord	158
4. Programmeren.....	159
Programmeringsmodus	159
Naar de programmeringsmodus gaan	159
De programmeringsmodus afsluiten	159
I. Programmeren van de lampen	159
Programmeren van twee producten.....	160
II. Programmeren van scènes	161
Creëren van een scène.....	161
Een scène wissen	162
Een geheugengebied met scènes wissen	162
Alle scènes wissen	163

III. Programmeren van achtervolgingen	163
Creëren van een achtervolging uit individuele scènes.....	163
Creëren van een achtervolging uit een bank met scènes.....	164
Een achtervolging aanpassen.....	164
Een stap toevoegen aan een achtervolging	165
Een stap wissen van een achtervolging	166
Een achtervolging wissen.....	167
Alle achtervolgingen wissen	167
5. Afspelen	168
Regelmodus.....	168
Scène afspelen	168
Handmatig afspelen van scènes.....	168
Automatisch afspelen van een scène	169
Automatisch afspelen van een scène met tiksynchronisatie	170
Afspelen van een muziekcène	170
Afspelen van een achtervolging.....	171
Automatisch afspelen van een achtervolging	171
Automatisch afspelen van een achtervolging met tiksynchronisatie	171
Afspelen van een muziekachtervolging.....	171
MIDI-bediening	172
MIDI map.....	172
Nevelregeling.....	173
Stroboscoop-bediening.....	173
Geluidsgevoeligheidsknop.....	173
6. Technische informatie.....	174
Onderhoud.....	174
Technische Specificaties	174
Retouren.....	175
Neem contact Op.....	176

1. BEFORE YOU BEGIN

What Is Included

- Obey™ 40 D-Fi 2.4
- External Power Supply
- Warranty Card
- User Manual

Unpacking Instructions

Carefully unpack the Obey™ 40 D-Fi 2.4 and check that all the parts are in the package, and are in good condition.

Claims

If the box, or any of the contents, appear damaged from shipping, save all the packaging and file a claim with the carrier immediately. Failure to report damage to the carrier immediately, or failure to save all the packaging, can invalidate a claim.

For other issues, such as missing components or parts, damage not related to shipping, or concealed damage, file a claim with Chauvet within 7 days of delivery. See [Contact Us](#).



Reset the Obey™ 40 D-Fi 2.4 before using. For more information see [Resetting The Board](#).

Conventions

Convention	Meaning
1—512	A range of values
50/60	A set of values
Page A	An indicator light on the console
15	Information shown on the display
Settings	A menu option
Menu > Settings	A sequence of menu options
<Enter>	A button

Symbols

Convention	Meaning
	Critical information. Ignoring it can cause malfunction, damage the product, or harm the operator.
	Important information. Ignoring it can cause the product to malfunction.
	Useful information.

Disclaimer

The information and specifications contained in this User Manual are subject to change without notice. Chauvet assumes no responsibility or liability for any errors or omissions, and reserves the right to revise or recreate this manual at any time. The latest version of this manual can be downloaded from <http://www.chauvetlighting.com/product-manuals-literature/>.

© Copyright 2015 Chauvet. All rights reserved.

Printed in the P.R.C.

Electronically published by Chauvet in the United States of America.

Author	Date	Editor	Date
R. Isenstadt	03/25/15	A. Leon	4/7/15

Product at a Glance	Use on Dimmer	X	Auto Program	X
	Outdoor Use	X	Auto-Ranging Power Supply	P
	Sound-Activated	P	Replaceable Fuse	X
	DMX	P	User-Serviceable	X
	Master/Slave	X		

Safety Notes These notes include important information about the mounting, use, and maintenance of this product. Read these notes before using the product.



- Always connect the product to a grounded circuit to avoid the risk of electrocution.
- Make sure the power cord is not crimped or damaged.
- Always disconnect the product from the power source before cleaning it or replacing the fuse.
- Never disconnect the product from the power source by pulling or tugging on the cord.
- If mounting the product overhead, always secure it using a safety cable.
- Make sure there are no flammable materials close to the product when it is operating.



- The product is for indoor use only! It is rated at IP20.
- Do not expose the product to rain or moisture.
- Make sure the voltage of the power source used for the product is within the range stated on the label or on rear panel of the product.
- Never connect the product to a dimmer or a rheostat.
- Always install the product in a location with adequate ventilation, and leave at least 20 in (50 cm) between the product and adjacent surfaces.
- Be sure that no ventilation slots on the product's housing are blocked.
- Do not operate the product in an ambient temperature higher than 104 °F (40 °C)
- Always carry the product by its mounting sides.
- In the event of a serious operating problem, stop using the product immediately.
- Never try to repair the product. Repairs carried out by untrained people can lead to damage or malfunction.
- If repairs are required, contact the nearest authorized technical assistance center. See [Contact Us](#) for more information.
- To eliminate wear and improve its lifespan, during periods of non-use completely disconnect from power via breaker or by unplugging it.



Keep this User Manual for future reference. If you sell the product to another user, be sure to give this manual to the next owner.

2. INTRODUCTION

- Features**
- Built-in D-Fi™ transmitter
 - Works wirelessly with all D-Fi™ compatible products.
 - DMX Output
 - Controls up to 12 different types of lights with up to 16 channels each
 - Controls multiple lights simultaneously
 - Stores and plays back 240 scenes in 30 banks of 8 scenes each
 - Stores and plays back 6 chases of 240 steps each
 - Accepts fader customizations
 - Plays back multiple chases in sequential order
 - Controls lights “on the fly” in Playback mode
 - Triggers chases and scenes with music, tap sync, or auto-run
 - Accepts MIDI input to trigger scenes and chases
 - Controls fog machines and strobes with dedicated buttons

Product Description

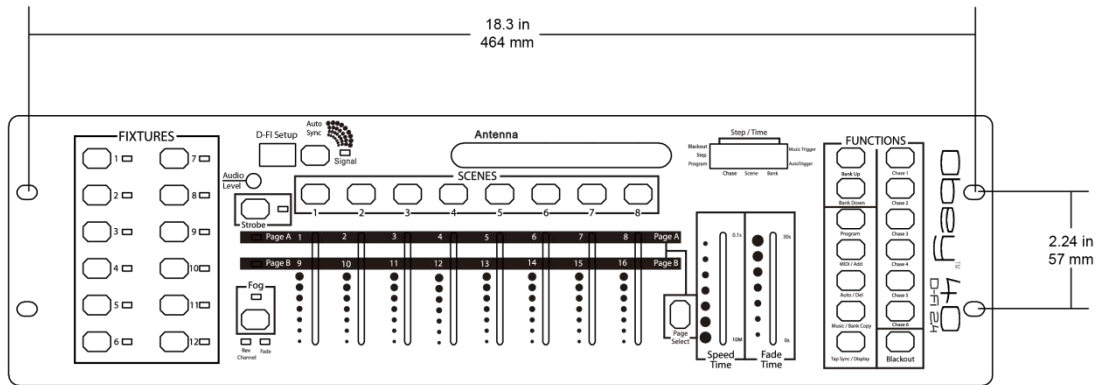
The Obey™ 40 D-Fi 2.4 (the board) is a small, powerful controller with a built-in D-Fi™ transmitter that enables it to wirelessly control all D-Fi™ compatible products.

It has several playback modes and can control up to 192 channels of DMX arranged into 12 groups, which are accessed using the <FIXTURES> buttons. Each <FIXTURES> button is linked to 16 predetermined DMX channels. These 16 channels are broken down into 2 groups, which are accessed using <Page Select> allowing 8 physical faders to control 16 channels.

Mounting

The Obey™ 40 D-Fi 2.4 has openings for rack mounting into a standard 19-inch rack. It also has rubber feet so it can sit on a table top. The Obey™ D-Fi 2.4 board must be placed within 300 ft of the D-Fi™ products and where there are no significant obstructions, such as concrete walls or large solid metal structures.

Mounting Dimensions



Wireless D-Fi™ Concepts

The Obey™ 40 D-Fi 2.4 uses a wireless frequency to send DMX signals to D-Fi™ compatible products, eliminating the need for long DMX cables. The Obey™ 40 D-Fi 2.4 board must be within 300 ft of the other D-Fi™ products and where there are no significant obstructions, such as concrete walls or large solid metal structures. In cases where some of the products are more than 300 ft away, a D-Fi™ distributor, such as the CHAUVET® D-Fi Hub or D-Fi™ Stream 6, can be connected to the lights via DMX cables. The D-Fi™ distributor receives the DMX signals wirelessly through D-Fi™ and sends them to the lights via DMX cables.

Programming Concepts

The Obey™ 40 D-Fi 2.4 uses DMX addressing and values to control products. See [DMX Addressing](#) and [DMX Addressing Chart](#) for information.

Looks are created by using the faders to send DMX values to the products. The looks are saved into scenes and the scenes are saved as steps into chases. The scenes and chases are played back at different speeds and with different types of triggers.

- Looks are created in Program mode. The products are selected with the fixture buttons. The faders are moved to control the products and create looks. Then the looks are saved to scenes with the scene buttons, and the scenes are saved to steps in chases with the chase buttons. See [4. Programming](#) for more information.
- Scenes and chases are played back in Playback mode. The scenes are triggered with the scenes buttons and the chases are triggered with the chase buttons. Timing of playback is set with the speed and time faders, the tap-sync function, or MIDI input. See [5. Playback](#) for more information.



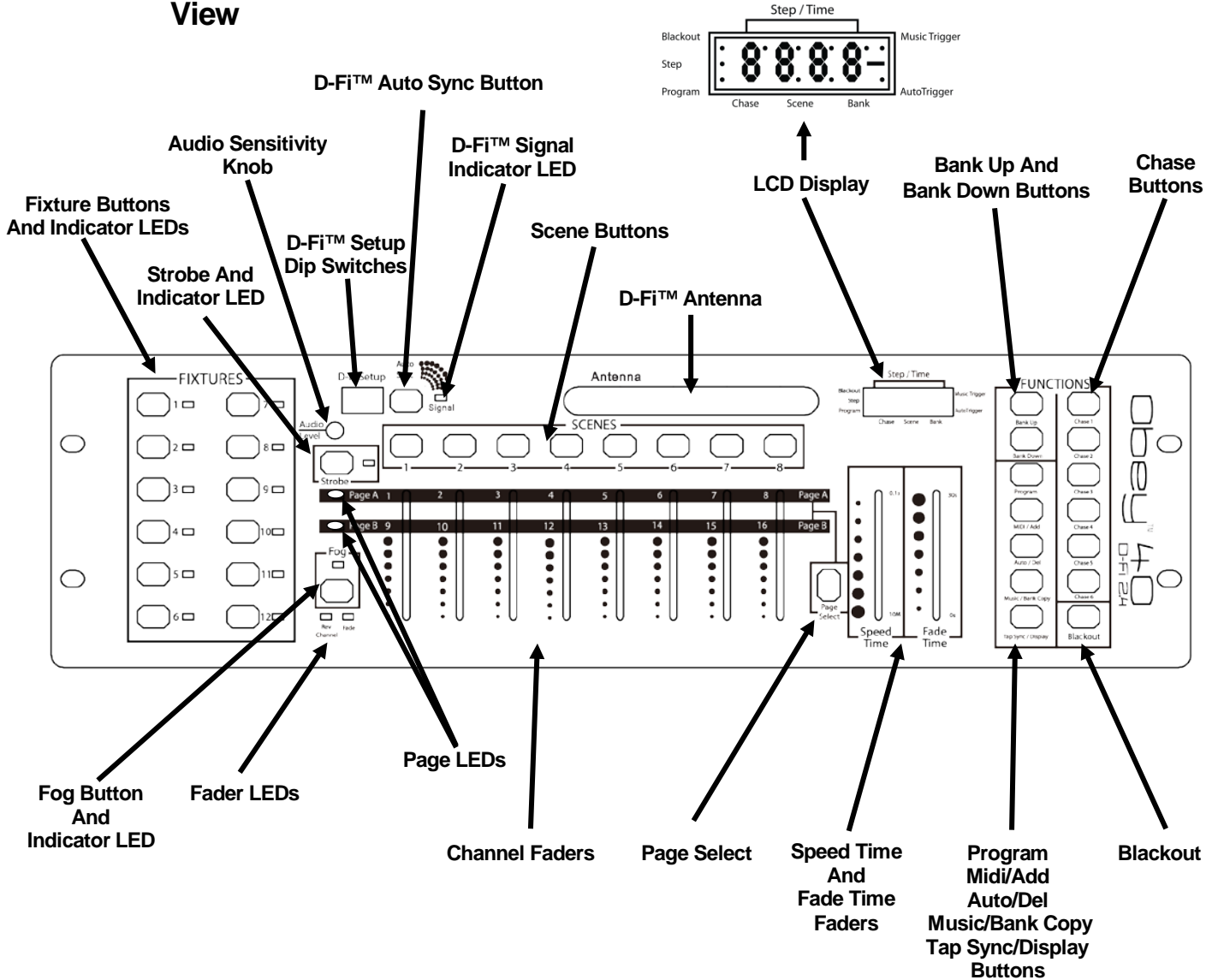
Looks can be created in playback mode, but they cannot be saved.

Panel Overviews

The Obey™ 40 D-Fi 2.4 is laid out with the <FIXTURES> buttons to the left, the DMX faders in the center along with the <SCENES> buttons, and the playback controls on the right.

The back panel of the board has the ports and the power connection. For more information about the rear panel, See [Back Panel View](#)

Front Panel View



Front Panel Controls

The front panel controls provide access to the D-Fi™ functionality and all the Obey™ 40 D-Fi 2.4's programming and playback operations. The DIP switches are used to configure the D-Fi™ and the D-Fi™ signal indicator provides information about the D-Fi™ signal. For more information, see [D-Fi™ Setup](#).

The LED display and the indicator LEDs provide information about the current programming selections and operations.

- The LED display shows different types of information in Program mode and Playback mode.
- The fixture button LEDs indicate when <FIXTURES> buttons and corresponding lights are selected.
- The strobe LED indicates that the strobe is on and the rate at which it is strobing.
- The D-Fi™ signal LED indicates the status of D-Fi™ communications.
- The page LEDs indicate which fader page is active.
- The fader LEDs indicate that faders have custom assignment.
- The fog LED indicates that the fog machine is at the correct temperature to make fog.

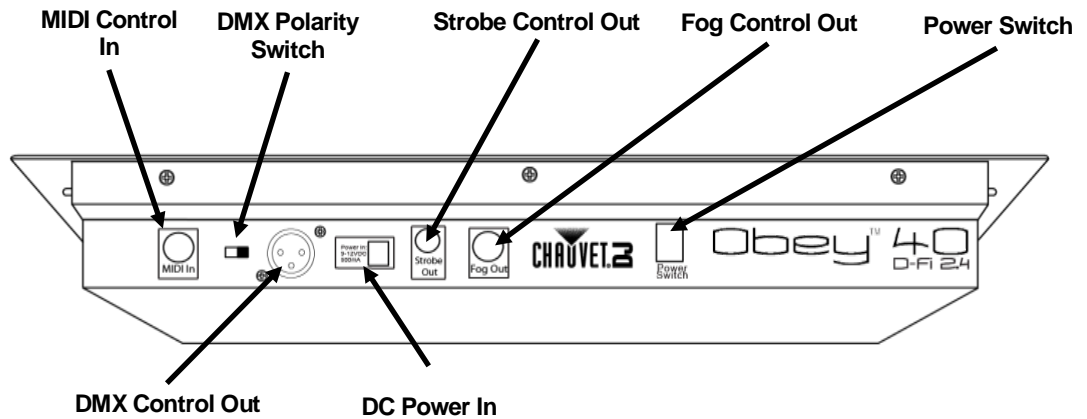
Control Descriptions

Button or Fader	Description
<FIXTURES 1>– <FIXTURES 12>	Buttons that select lights to control and set the default DMX addresses of the channel faders. The corresponding LEDs indicate when a light is selected. Note: These buttons are inclusive. Pressing one, then another, selects both lights. To deselect a light, press it again and make sure the LED indicator is off.
<Strobe>	Button that controls one or more strobes, and its LED that indicates the strobe is on and the rate at which it is strobing.
Audio Sensitivity Knob	Knob that adjusts the boards sensitivity to sound and music.
D-Fi™ Setup DIP Switches	DIP switches that select the D-Fi™ channels and modes.
<D-Fi™ Auto Sync>	Button that syncs the Obey™ 40 D-Fi 2.4 with other D-Fi™ products.
D-Fi™ Signal LED	LED that indicates the state of the D-Fi™ signal.
<SCENES 1>– <SCENES 8>	Buttons that select a scene to save to, or playback from. These are used in conjunction with <Bank Up> and <Bank Down>.
D-Fi™ Antenna	Antenna that transmits D-Fi™.
LCD Display	Display that shows various types of information about current selections and whether it is in Program or Playback mode: <ul style="list-style-type: none"> • Step/Time - shows the current chase and scene, except when the faders are moving. Then it shows the value of the fader that is moving. • Blackout - indicates that blackout is active and the board is not sending DMX signals. • Step – shows the current scene in the current step of the current chase in Playback mode or shows that the board is adding steps to a chase in Program mode. • Program - indicates that the board is in Program mode. • Music Trigger - indicates that the board is in Music Trigger mode. • Auto Trigger - indicates that the board is in Auto Trigger mode. • Chase - shows the current chase in Playback or Program mode. • Scene - shows the current scene in Playback or Program mode. • Bank - shows the current bank in Playback or Program mode.
<Bank Up>	Button that moves up through banks of scenes, or up through the steps in a chase.

Control Descriptions

Button or Fader	Description
<Bank Down>	Button that moves down through banks of scenes, or down through the steps in a chase.
<Chase 1>– <Chase 6>	Buttons that select a chase to save to or playback from.
<Fog>	Button that controls one or more fog machines and its LED that indicates when the fog machine is at full temperature.
Fader LEDs	LEDs that indicate that the current fixture selection's faders has a custom assignment (Fade) or reversal (Rev Channel).
Page LEDs	LEDs that indicate which page of faders is active.
<Channel 1>– <Channel 16>	Channel faders that send DMX values to the products. Used in conjunction with <FIXTURES 1>–<FIXTURES 12>.
<Page Select>	Button that toggles between fader Page A and fader Page B.
<Speed Time>	<p>Fader that adjusts the playback speed time—the time of the entire chase including all steps. Playback speed times range from 10 minutes to 0.1 second. The LED display shows speed times in minutes and seconds while the fader is moving, but returns to showing the current chase, scene and bank after the fader is moved.</p> <p>The display shows time for the fader as follows:</p> <ul style="list-style-type: none"> · XX'XX - with the dot at the top, shows minutes and seconds. · XX.XX - with the dot at the bottom, shows seconds and 10ths of seconds. <p>Fader is also used to adjust select and set options in Program mode.</p>
<Fade Time>	<p>Fader that adjusts the playback fade time—the time of the change between each step of the chase. Playback speed times range from 0 seconds to 30 seconds. The LED display shows fade times in seconds while the fader is moving, but returns to showing the current chase, scene and bank after the fader is moved.</p> <p>The display shows time for the fader as follows:</p> <ul style="list-style-type: none"> · XX.XX - with the dot at the bottom, shows seconds and 10ths of seconds. <p>Fader is also used to adjust, select, and set options in Program mode.</p>
<Program>	Button that toggles the board in and out of Program mode.
<Midi/Add>	Button that adds scenes and steps to chases in Program mode, and allows selection of a MIDI channel in MIDI mode.
<Auto/Del>	Button that selects auto playback mode, in which playback timing is controlled by the <Speed Time> and <Fade Time> faders. Button is used to delete chases and scenes in Program mode.
<Music/Bank Copy>	Button that selects the music trigger, in which playback timing is controlled by music. Button also copies an entire bank of scenes in Program mode.
<Tap Sync/Display>	Button that sets the tap sync trigger in which playback is controlled by button tapping. Button is also used for various functions in program.
<Blackout>	Toggle button that stops all DMX transmission. Makes the lights go black. Stops the strobe and the fog. When blackout is on the LED display shows an indicator.

Back Panel View



Back Panel Ports

Port	Function
MIDI Control In	5-pin MIDI port for connecting to a MIDI board.
DMX Polarity Switch	Toggle switch for changing DMX polarity.
Strobe Control Out	¼-inch mono port for connecting to one or more strobes in a daisy chain.
Fog Control Out	5-pin DIM port for connecting to one or more fog machines.
Power On/Off switch	Toggle switch that turns the Obey™ 40 D-Fi™ 2.4 on and off.
DMX Control Out	3-pin DMX port for connecting to the products.
Power DC In	External PSU port that connects to the power source.

DMX Polarity

DMX Polarity Switch
 1=ground ↔ 1=ground
 2=data+ ↔ 2=data-
 3=data- ↔ 3=data+



All Chauvet lights use a negative pin 2 and positive pin 3, so the polarity switch should be set as shown above and in [Back Panel View](#) (towards the DMX Control Out port). Other manufacture's products might be different. See the individual product's User Manual for specific information



For more information about DMX, download the DMX Primer from www.chauvetlighting.com.

3. SETUP

AC Power The Obey™ 40 D-Fi 2.4 has an auto-ranging external power supply, that works with an input voltage range of 100 to 240 VAC, 50/60 Hz. It runs on 9 VDC, 500 mA.

Before turning on the power, make sure the line voltage is within the range of accepted voltages as listed on the label affixed to the product or as described in [Technical Specifications](#) in this document.

The listed rating indicates average current draw under normal conditions.



To eliminate wear and improve its lifespan, during periods of non-use completely disconnect from power via breaker or by unplugging it.



- **Always connect the board to a grounded circuit.**
- **Never connect the board to a rheostat or dimmer circuit.**

Mounting The Obey™ 40 D-Fi 2.4 may be mounted in any position; make sure adequate ventilation is provided around the product.

Setting Up The Board In order to use the Obey™ 40 D-Fi 2.4 it must be configured for wireless D-Fi™ use, or connected to the products with DMX cables. The products must also be configured for wireless D-Fi™ use, or connected with DMX cables. The products must also be set to the correct DMX addresses.

The sections below described [D-Fi™ Configuration](#), [DMX Cabling](#), and [DMX Addressing](#).



Reset the Obey™ 40 D-Fi 2.4 before using it for the first time. For more information see [Resetting The Board](#).

D-Fi™ Configuration The D-Fi™ is configured with the DIP switches on the front panel above the sound sensitivity knob. The D-Fi™ channel can be selected manually or automatically. The Obey™ 40 D-Fi 2.4 can transmit D-Fi™ or receive D-Fi™.



- **Almost every use of the Obey™ 40 D-Fi 2.4 requires it to transmit D-Fi™.**
- **The only time the Obey™ 40 D-Fi 2.4 should be configured to receive D-Fi™ is when another system is controlling it.**
- **When the Obey™ 40 D-Fi 2.4 is configured to receive D-Fi™ it cannot transmit D-Fi™ and it must be connected to the lights with DMX cables.**

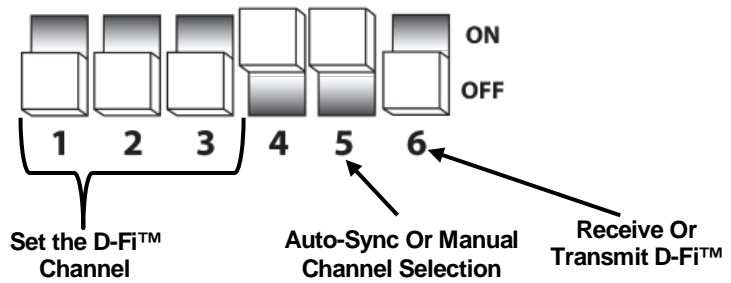
Configuration Notes Transmitting D-Fi™ requires the following:

- The Obey™ 40 D-Fi 2.4 is configured to transmit.
- The products are D-Fi™ compatible and configured to receive.
- The Obey™ 40 D-Fi 2.4 and the products are all configured either to Auto-Sync, or set to the same channel with Manual Channel Selection.
- The Obey™ 40 D-Fi 2.4 is within 300 ft of the D-Fi™ lights.
- There are no large solid objects, such as walls, large pieces of concrete, or solid metal structures between the Obey™ 40 D-Fi 2.4 and the lights receiving D-Fi™.



Manual Channel Selection mode is recommended, but either mode works.

DIP Switches The 6 DIP switches that configure D-Fi™ on the Obey™ 40 D-Fi 2.4 are shown below:



- DIP switches 1 thru 4 set the D-Fi™ channel, but DIP switch 5 must be in the ON position for DIP switches 1 thru 4 to have any effect.
- DIP switch 5 toggles between the D-Fi™ Channel Selection modes: Auto-Sync (OFF) and Manual (ON).
- DIP switch 6 toggles between Transmit D-Fi™ (ON) and Receive D-Fi™ (OFF).

For a list of DIP switch combinations, see [DIP Switch Settings](#) in this manual or the DIP switch settings table affixed to the bottom of the Obey™ 40 D-Fi 2.4.

DIP Switch Table

	D-Fi™ Channel	Auto-Sync Or Manual	Transmit Or Receive	D-Fi™ Channel	Auto-Sync Or Manual	Transmit Or Receive
Channel 1				Channel 11		
Channel 2				Channel 12		
Channel 3				Channel 13		
Channel 4				Channel 14		
Channel 5				Channel 15		
Channel 6				Channel 16		
Channel 7				Auto-Sync mode		
Channel 8				Transmit mode		
Channel 9				Receive mode		
Channel 10						

Using Manual Channel Selection

Manual Channel Selection is recommended. It tells the Obey™ 40 D-Fi 2.4 which channel to use for D-Fi™ transmission. To use Manual Channel Selection for configuring D-Fi™, do the following:

1. Turn on all the other D-Fi™ products and set them all to the same channel. For instructions on how to do this see each product's User Manual.
2. Turn off the Obey™ 40 D-Fi 2.4.
3. Set the board to the same channel as the products by setting the DIP switches. For more information, see [DIP Switch Table](#).
4. Make sure DIP switch 6 is in the ON position.
5. Turn on the Obey™ 40 D-Fi 2.4. The Signal LED shows a fast blink.

Using Auto-Sync Channel Selection

Auto-Sync Channel Selection triggers a negotiation between the Obey™ 40 D-Fi 2.4 and all the other D-Fi™ products to settle on a channel for D-Fi™ transmission. To use Auto-Sync for configuring D-Fi™, do the following:

1. Turn on all the other D-Fi™ products and set them to Auto-Sync. For instructions on how to do this see each product's User Manuals.
2. Turn off the Obey™ 40 D-Fi 2.4.
3. Set the board to Auto-Sync by setting DIP switch 5 to the OFF position.
4. Make sure DIP switch 6 is in the ON position.
5. Turn on the Obey™ 40 D-Fi 2.4. The Signal LED shows a solid light.
6. Press **<Auto>** and hold it down for at least 15 seconds. The Signal LED will begin a fast flash when the board is communicating with the other products.
7. Continue holding **<Auto>** until all the other D-Fi™ products indicate that they are receiving. For information on this, see each product's User Manuals.



CHAUVET® D-Fi™ products User Manuals can be found on the web site at <http://www.chauvetlighting.com/product-manuals-literature/>.



The Obey™ 40 D-Fi 2.4 must be within 300 ft of the products receiving D-Fi™ and there must be no significant obstructions between the Obey™ 40 D-Fi 2.4 and the other products.



- **Set all the other products before setting the Obey™ 40 D-Fi 2.4.**
- **Make sure the Obey™ 40 D-Fi 2.4 is off before changing the DIP switch settings.**

D-Fi™ Signal Indicator

The D-Fi™ signal indicator provides information about the D-Fi™ status of the Obey™ 40 D-Fi 2.4. The table below presents the various states of the indicator and what each state means.

Indicator LED	Mode	Meaning
Solid Light	Auto-Syncing	No connection yet. Waiting for Auto-Sync to finish
Slow Blink	Receive	Ready to receive
	Receive	Receiving data
	Transmit	Transmitting or ready to transmit.
Fast Blink	Auto-Syncing	Connection established. Auto-Sync is finished.

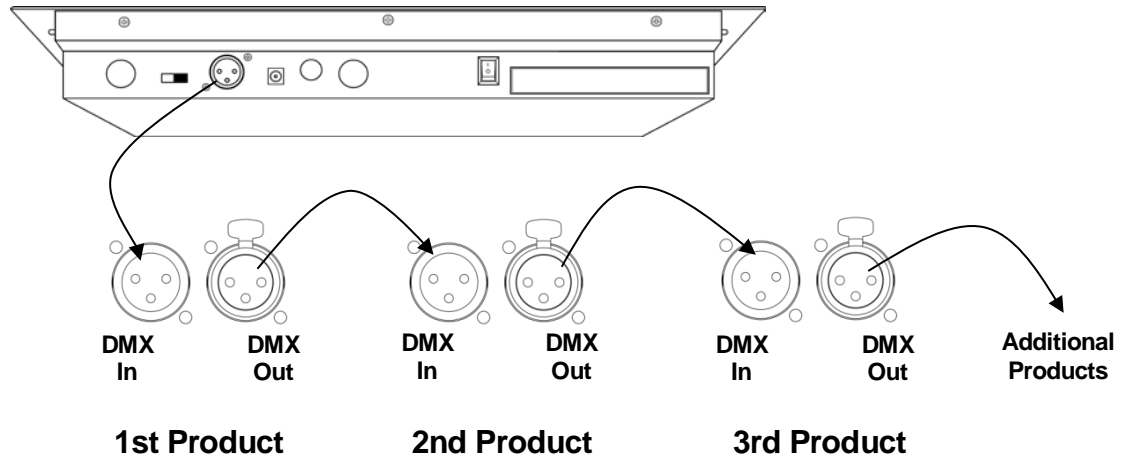
DMX Cabling

DMX cabling can be used along with D-Fi™ transmission, or instead of D-Fi™ transmission, for products that are not D-Fi™ compatible. To use DMX cabling connect the DMX cable from DMX Out of the board to DMX In of the first product in the rig.

Then connect another DMX cable from DMX Out of the first product in the rig to DMX In of the next product.

Continue connecting until all the products are connected.

DMX Cabling Diagram

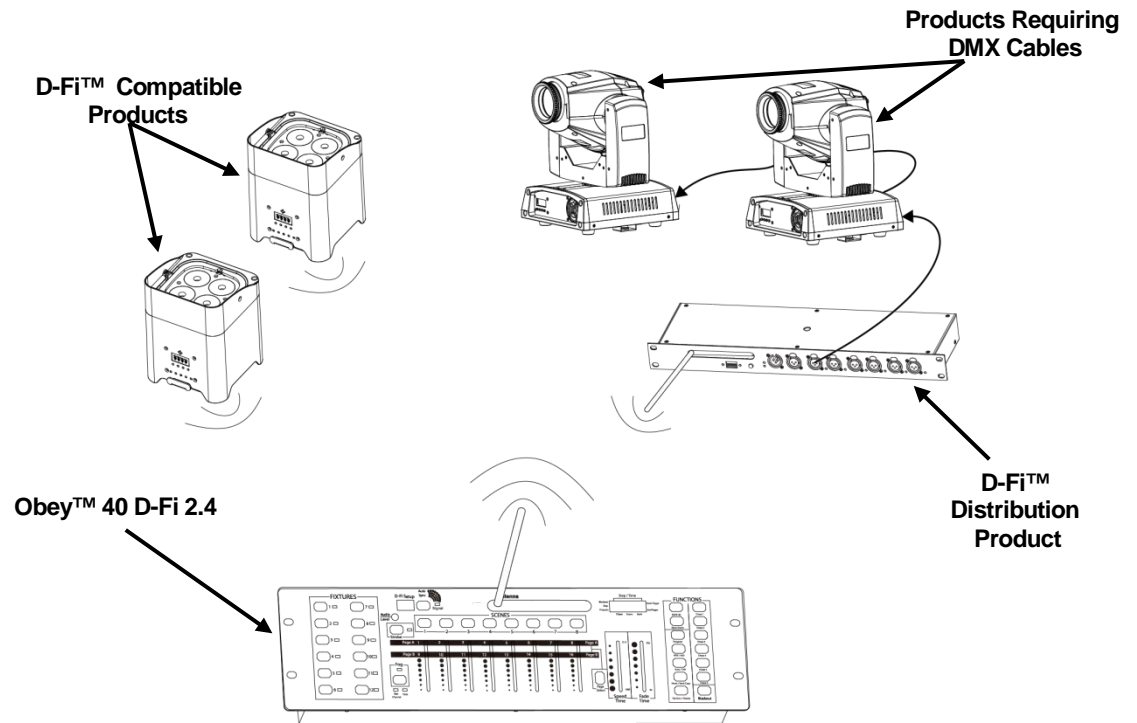


D-Fi™ Communication

D-Fi™ communication can be used alone, or in combination with DMX cabling. Products that are D-Fi™ compatible receive D-Fi™ signal directly from the Obey™ 40 D-Fi 2.4, and products that require DMX cabling can be connected to D-Fi™ distribution products, such as D-Fi™ Hub and D-Fi™ Stream 6 which receive the D-Fi™ signal and send it out via DMX cables.

Products that require DMX cables can also be connected directly to the Obey™ 40 D-Fi 2.4 as shown above in [DMX Cabling Diagram](#).

D-Fi™ Diagram



DMX Addressing

The Obey™ 40 D-Fi 2.4 uses DMX addressing. The board controls lights with specific DMX addresses and the lights must be addressed correctly for the board to control them.

More than one light can have the same DMX address, but lights with the same DMX address should be the same type of light.

Below is a chart showing the Obey™ 40 D-Fi 2.4 DMX addresses ranges with their corresponding fixture buttons.

DMX Addressing Chart

Address	Fixture Button
1–16	<FIXTURES 1>
17–32	<FIXTURES 2>
33–48	<FIXTURES 3>
49–64	<FIXTURES 4>
65–80	<FIXTURES 5>
81–96	<FIXTURES 6>
97–112	<FIXTURES 7>
113–128	<FIXTURES 8>
129–144	<FIXTURES 9>
145–160	<FIXTURES 10>
161–176	<FIXTURES 11>
177–192	<FIXTURES 12>

After the products are addressed, the board controls them with the <FIXTURES> buttons. For example:

- Any product or products addressed at **49** are controlled with <FIXTURES 4>.
- Any product or products addressed at **145** are controlled with <FIXTURES 10>.

Faders and Pages

The Obey™ 40 D-Fi™ 2.4 has 8 channel faders on 2 fader pages for a total of 16 channels.

Faders control different DMX addresses depending on which page is active and which fixture button is pressed.

Pages are a method for controlling 16 channels with only 8 channel faders. Toggling between pages toggles between two DMX addresses for the fader. When Page A is active, the faders are numbered 1–8. When Page B is active, the faders are numbered 9–16.

The <Page Select> button toggles between active pages. The Page A and Page B LEDs indicate which page is active.

When Page A is active, the channel faders control the first 8 DMX addresses of the selected light.

When Page B is active, the channel faders control the second 8 DMX addresses of the selected light.

Fader DMX Addresses

The default fader DMX addresses are determined by the combination of <FIXTURES> buttons and Page A or Page B. For example:

- When <FIXTURES 1> is selected, the default DMX addresses of the channel faders are 1–16. DMX 1–8 when Page A is active and DMX 9–16 when Page B is active.
- When <FIXTURES 7> is selected, the default DMX addresses of the channel faders are 97–112. DMX 97–104 when Page A is active and DMX 105–112 when Page B is active.

When 2 fixture buttons are selected each fader has 2 different default DMX addresses. For example:

- When <FIXTURES 1> and <FIXTURES 7> are selected, channel fader 1 has DMX addresses of both 1 and 97.

Fader Customizations

Fader customizations are very powerful tools, but are not required. The Obey™ 40 D-Fi 2.4 can control a substantial lighting rig without any fader customization.

Fader customization is one of two things:

- Fader assignment which changes the default DMX address of a channel fader.
- Fader reversal which reverses the fader output.

Fader assignment changes the DMX address of a fader within a fixture button, so that 2 lights, assigned to different fixture buttons and with different DMX channel configurations can be controlled from a single channel fader. See [Creating A Fader Assignment](#) for more information.

Note: Refer to the products' User Manuals for information about DMX channel configurations.

Fader reversal changes the order of the DMX values sent out as the channel fader moves. In normal mode a channel fader sends out a higher DMX value as it moves upward, sending out the value 0 at the bottom and 255 at the top. When a fader is reversed, it sends out the value 255 at the bottom and 0 at the top. See [Creating A Fader Reversal](#) for more information.

The fader LEDs indicate when a fader has been customized or reversed.

Creating A Fader Assignment

A fader assignment is when the default DMX address of a fader is changed. Fader assignment is a powerful tool that is helpful in certain situations, but it is not required.

The following instructions describe how to create a fader assignment for a specific fader, but fader assignments can be created for any fader within any fixture button.

To create a fader assignment and change the DMX address of <FIXTURES 2> <Channel 7> from 7 to 5, do the following:

1. Press <Program> and <Tap Sync/Display> together to enter fader assignment customization.
2. Press <FIXTURES 2>.
3. Check that <FIXTURES 2> is the only fixture button selected and press any lit fixture buttons to deselect them.
4. Move the <Speed Time> fader until the **0707** shows in the LED display.
5. Move the <Fade Time> until the **05** shows in the right side of the LED display.

Note: The LED display shows 0705 because 7 is the fader being customized, and 5 is the DMX address that will be assigned to fader 7.

6. Press <Midi/Add> to save the customization.
7. Move the <Speed Time> fader until the **0505** shows on the LED display.
8. Move the <Fade Time> fader until **0516** shows on the LED display.
9. Press <Midi/Add> to save the setting.

Note: Steps 7–9 reassign fader 5 to an unused DMX address, so that fader 5 and fader 7 are not both trying to send to DMX address 5.

10. Press <Program> and <Tap Sync/Display> together to exit fader assignment customization.



- Each channel fader within a fixture selection can send values to only one DMX address. So if a fader's default DMX address is reassigned, that fader must be given another DMX address.
- Custom fader assignments can only be removed by performing a soft reset. However resetting the board removes all other board customizations and programming. See [Resetting The Board](#) for more information.

Copying A Fader Assignment

Fader assignments can be copied from one fixture button to another.

To copy the fader customization from **<FIXTURES 2>** to **<FIXTURES 11>** do the following:

1. Press **<Program>** and **<Tap Sync/Display>** together to enter fader assignment customization.
2. Press and hold **<FIXTURES 2>**.
3. Continue holding **<FIXTURES 2>**, and press and hold **<FIXTURES 11>**.
4. Continue holding **<FIXTURES 2>** and **<FIXTURES 11>** and press and hold **<Midi/Add>**.
5. Continue holding **<FIXTURES 11>** and **<MIDI/Add>**, but release **<FIXTURES 2>**.
6. Continue holding **<Midi/Add>**, but release the **<FIXTURES 11>**.
7. Release **<Midi/Add>**.
8. Press **<Program>** and **<Tap Sync/Display>** together to exit fader assignment customization.



Copying a custom fader assignment will not copy a reverse fader.

Creating A Fader Reversal

A fader reversal is when the order of values sent by a fader is reversed. Instead of sending the highest value when the fader is up, a reversed fader sends the lowest value when the fader is up.

Fader reversals are a powerful tool, but they are not required.

The following instructions describe reversing a specific fader, but any fader, within any fixture button, can be reversed.

To reverse **<Channel 12>** on **<FIXTURES 9>**, do the following:

1. Press **<Program>** and **<Tap Sync/Display>** together 2 times to enter fader reversal customization.
2. Press the **<FIXTURES 9>**.
3. Move the **<Speed Time>** fader until **12** shows in the LED display
4. Move the **<Fade Time>** all the way up to activate fader reversal. The character to the right of 12 in the LED display will change.
5. Press **<Midi/Add>** to save the setting.
6. Press **<Program>** and **<Tap Sync/Display>** together 2 times to exit fader reversal customization.

Resetting The Board

Resetting the board clears out all customizations and programming, and returns the board to its factory default settings. The board should be reset for new shows that require new customizations and configurations. Resetting the Board can be used to clear out odd behaviors after many customizations.

To reset the board, do the following:

1. Turn the board off.
2. Press and hold **<Bank Up>** and **<Auto/Del>** together.
3. While still pressing **<Bank Up>** and **<Auto/Del>**, turn the board on. The LED display flashes to indicate a successful operation.



- **Resetting the board erases all scenes, chases, and customizations.**
- **Resetting the board can take up to 30 seconds.**

4. PROGRAMMING

Program Mode Program mode is used to program for playback. In Program mode lighting looks are created and saved for playback. There are three parts to programming for playback.

1. Programming lights: selecting and controlling them to create looks.
2. Programming scenes: saving the looks into scenes.
3. Programming chases: saving the scenes into chases.

The next section describes how to program lights, scenes, and chases, and how to modifying and delete scenes and chases.



- **Lights can be controlled in Playback mode, but the looks created in Playback mode cannot be saved.**

Entering Program Mode To enter Program mode do the following:

1. Turn the board on.
2. Press and hold **<Program>** for three seconds.
3. The program indicator light, in the lower left corner of the LED Display, comes on.
4. Release **<Program>**.

Exiting Program Mode To exit Program mode, do the following:

1. Press and hold **<Program>** for three seconds.
2. The program indicator light, in the lower left corner of the LED Display, goes out and the blackout indicator light goes on.
3. Release **<Program>**.



Blackout activates whenever the board exits Program mode. Blackout must be deactivated to see the lighting looks. See [<Blackout>](#) for more information.

I. Programming Lights

Programming lights is controlling them with the faders to set colors, positions, and operating modes. The result of controlling lights is a look.

Programming lights in Program mode and creating looks is the first part of programming for playback.

Playback is when the programmed looks are played back for a show. The looks are played back from scenes and chases. See [5. Playback](#) for more information. Lights can be controlled in Playback mode, but looks created in Playback mode cannot be saved.



- **Refer to the light's user manual for information about the light's DMX channel assignments. User Manuals for CHAUVET® products are on the Chauvet website at <http://www.chauvetlighting.com/product-manuals-literature/>**
- **Programming for playback can only be done in Program mode.**
- **Fixture buttons are inclusive. More than one light can be selected at a time. Pay attention to the fixture button LEDs because they indicate which lights are selected.**
- **Two fixtures can be programmed at the same time, but they should have the same or DMX channel assignments.**
- **The instructions below use specific lights, scenes, banks, and chases, but the operations can be performed on any light, scene, bank, or chase.**

Programming Two Products Programming products is sending DMX values to them to control them and create a look. The general steps for programming a product are as follows:

1. Enter Program mode.
2. Press one or more **<FIXTURE>** buttons to select one or more products.
3. Move the channel faders to control the product or products—use **<Page Select>** to move between fader pages.
4. Repeat steps 2–4 as needed for other products.
5. Save the look into a scene. See [Creating A Scene](#).
6. Exit Program mode.

Note: If the look is not saved to a scene it will be lost when Program mode is exited.

The specific instructions below describe programming a 12-channel product on **<FIXTURES 3>** and a 15-channel product on **<FIXTURES 5>**.

1. Enter Program mode.
2. Press **<FIXTURES 3>**. Its LED comes on and it is selected.
3. Move any of the 8 channel faders to send DMX values to the first 8 channels of **<FIXTURES 3>**. The light responds to the faders.
4. Press **<Page Select>**. The **Page B LED** comes on and the **Page A LED** goes out. Fader Page B is now active.
5. Move any of the first 4 channel faders to send DMX values to the last 4 channels of **<FIXTURES 3>** and the product responds to the faders.
6. Press **<FIXTURES 5>**. Its LED comes on and it is selected. Now both lights are selected.
7. Press **<FIXTURES 3>**. Its LED goes out and it is no longer selected. Now only **<FIXTURES 5>** is selected.
8. Press **<Page Select>**. The **Page A LED** comes on and the **Page B LED** goes out. Fader Page B is now active.
9. Move any of the 8 faders to send DMX values to the first 8 channels of **<FIXTURES5>**. The light responds to the faders.
10. Press **<Page Select>**. The **Page B LED** comes on and the **Page A LED** goes out. Fader Page B is now active.
11. Move any of the first 7 faders to send DMX values to the last 7 channels of **<FIXTURES 5>**. The light responds to the faders.
12. Repeat steps 2–11 as needed for other products.
13. Save the look into a scene. See [Creating A Scene](#).

Note: If the look is not saved to a scene it will be lost when Program mode is exited.

II. Programming Scenes

Programming scenes is saving lighting looks to scenes.

Programming scenes is the second part of the programming for playback. And it can be the last part because scenes can be played without being part of a chase. See [Scene Playback](#) for more information.

The Obey™ 40 D-Fi™ 2.4 has 30 banks with 8 scenes each, so saving a scene involves selecting the bank and the scene.



In scene playback, scenes are played back in number order, by bank. So when programming for scene playback, make sure the changes from scene 1 to scene 2 to scene 3 make sense.

Creating A Scene

Creating a scene is saving lighting look to scene button so the look can be played back in Playback mode. The general steps for creating a scene are as follows:

1. Enter Program mode.
2. Program lights to make a look. See [Programming Two Products](#).
3. Use the bank buttons to select the bank into which the scene will be created. The LED display shows the current bank just above the word Bank.
4. Save the look by pressing **<Midi/Add>** and then a scene button within a bank.
5. Repeat steps 2–3 as needed for other looks and scenes.
6. Exit Program mode.
7. Reset faders to 0 and deactivate blackout.

The specific instructions below describe saving a look as **<SCENES3>** of bank 15.

1. Enter Program mode.
2. Program one or more lights until the look is right. See [Programming Two Products](#).
3. Press **<Midi/Add>**.
4. Press **<Bank Up>** or **<Bank Down>** until **15** shows in the LED display just above the word Bank.
5. Press **<SCENES 3>**. The LED display and fixture LEDs flash to indicate a successful operation.
6. Repeat steps 2–5 with as needed for other looks and scenes.
7. Exit Program mode.
8. Reset all the channel faders to 0.
9. Press **<Blackout>** to deactivate blackout and allow DMX transmission from the board.

Deleting A Scene Deleting a scene is removing a look from a scene button so it cannot be played back in Playback mode.



Deleting a scene that has been saved as a step in a chase will also delete the step in the chase.

The general instructions for deleting a scene are as follows:

1. Enter Program mode.
2. Use bank buttons to go to the bank where the scene to be deleted is stored. The LED display shows the current bank just above the word Bank.
3. Delete the scene by pressing **<Auto/Del>** and then the scene button.
4. Repeat steps 2–3 as needed for other scenes.
5. Exit Program mode
6. Reset faders to 0 and deactivate blackout.

Note: A scene can be deleted in Program mode when it is active in Playback mode.

The specific instructions below describe deleting **<SCENES 4>** of bank 2.

1. Enter Program mode.
2. Press **<Bank Up>** or **<Bank Down>** until **2** shows on the LED display just above the word Bank.
3. Press and hold **<Auto/Del>** and then press **<SCENES 4>**. The LED display and fixture LEDs flash to indicate a successful operation.
4. Repeated steps 2–4 as needed for other scenes.
5. Exit Program mode.
6. Reset all the channel faders to 0.

Press **<Blackout>** to deactivate blackout and allow DMX transmission from the board.

Deleting A Bank of Scenes Deleting a bank of scenes is deleting all 8 scenes in a bank so they cannot be played back in Playback mode. The general instructions for deleting a bank of scenes is as follows:

1. Enter Program mode
2. Use bank buttons to go to the bank to be deleted. The LED display shows the current bank just above the word Bank.
3. Press and hold **<Auto/Del>** and **<Music/Bank Copy>** together. The LED display and fixture button LEDs flash to indicate a successful operation.
4. Repeat steps 2–3 as needed for other banks.
5. Exit Program mode.
6. Reset faders to 0 and deactivate blackout.

The specific instructions below describe deleting bank 30.

1. Enter Program mode.
2. Press **<Bank Up>** or **<Bank Down>** until **30** shows in the LED display just above the word Bank.
3. Press and hold **<Auto/Del>** and **<Music/Bank Copy>** together. The LED display and fixture button LEDs flash to indicate a successful operation.
4. Repeat steps 2–3 as needed for other banks.
5. Exit Program mode.
6. Reset all the channel faders to 0.
7. Press **<Blackout>** to deactivate blackout and allow DMX transmission from the board.

Deleting All Scenes Deleting all scenes is removing all the scenes that have been saved in any one of the banks.

To delete all the scenes in the board, but not delete the fader customizations, do the following:

1. Turn the board off.
2. Press and hold **<Bank Down>** and **<Program>**.
3. Continue holding **<Bank Down>** and **<Program>** and turn the board on.
4. Continue holding **<Bank Down>** and **<Program>** until the LED display and fixture button LEDs flash.
5. Release **<Bank Down>** and **<Program>**.

III. Programming Chases

Programming chases is saving scenes as steps in chases.

Programming chases is the third part of the programming for playback. There must be scenes already saved in the board before chases can be programmed.

Creating A Chase From Individual Scenes

Creating a chase from individual scenes is saving individual scenes into individual steps in a chase—the scenes can be saved into the steps in any order.

The general instructions for creating a chase from individual scenes are as follows:

1. Enter Program mode.
2. Press a chase button to select the chase to be created.
3. Use the bank buttons and the scene buttons to locate the scene that will be saved as a step in the chase. The LED display shows the current bank just above the word Bank.
4. Press **<Midi/Add>** two times to save the scene into a step.
5. Repeat steps 3–4 to add more scenes into steps, or steps 2–4 to add more chases.
6. Exit Program mode.
7. Reset faders to 0 and deactivate blackout.

Note: Scenes are saved into steps in sequential order—the first scene saved to the chase goes into step 1, the second scene saved to the chase goes into step 2, and so on.

The specific instructions below describe creating **<Chase 1>** as a 3-step chase made up of **<SCENES 3>** from bank 15, **<SCENES 4>** from bank 2, and **<SCENES 8>** from bank 1.

1. Enter Program mode.
2. Press **<Chase 1>**.
3. Press **<Bank Up>** or **<Bank Down>** until **15** shows in the LED display just above the word Bank.
4. Press **<SCENES 3>**. The lights show **<SCENES 3>** in Bank 15.
5. Press **<Midi/Add>** 2 times. The LED display and fixture button LEDs flash to indicate a successful operation.
6. Press **<Bank Up>** or **<Bank Down>** until **2** shows in the LED display just above the word Bank.
7. Press **<SCENES 4>**. The lights show **<SCENES 4>** in bank 2.
8. Press **<Midi/Add>**. 2 times. The LED display and fixture button LEDs flash to indicate a successful operation.
9. Press **<Bank Up>** or **<Bank Down>** until **1** shows in the LED display just above the word Bank.
10. Press **<SCENES 8>**. The lights show **<SCENES 8>** in bank 1.
11. Press **<Midi/Add>** 2 times. The LED display and fixture button LEDs flash to indicate a successful operation.
12. Repeat steps 3–11 as needed for other steps, or repeat steps 2–11 as needed for other steps.
13. Exit Program mode.
14. Reset all the channel faders to 0.
15. Press **<Blackout>** to deactivate blackout and allow DMX transmission from the board.

Creating A Chase From A Bank Of Scenes

A quick and efficient way to program is to create 8 looks in 8 scenes of one bank and then save the entire bank into a chase. The scenes will playback in number order 1, 2, 3, 4, 5, 6, 7, 8, in a loop.

The general instructions for creating a chase from a bank of scenes are as follows:

1. Enter Program mode.
2. Press a chase button to select the chase to be created.
3. Use the bank buttons to select the bank to be saved into the chase. The LED display shows the current bank just above the word Bank.
4. Press **<Music/Bank Copy>** and **<Midi/Add>** simultaneously.
5. Repeat steps 3-4 as needed to add more banks to the currently selected chase, or repeat steps 2-4 as needed for other chases.
6. Exit Program mode.
7. Reset faders to 0 and deactivate blackout.

The specific instructions below describe creating **<Chase 5>** from the scenes in bank 12.

1. Enter Program mode.
2. Press **<Chase 5>**.
3. Press **<Bank Up>** or **<Bank Down>** until **12** shows in the LED display just above the word Bank.
4. Press **<Music/Bank Copy>** and **<MIDI/Add>** simultaneously. The LED display and fixture button LEDs flash to indicate a successful operation.
5. Repeat steps 3-4 as needed to add more banks to the currently selected chase, or repeat steps 2-4 as needed for other chases.
6. Exit Program mode.
7. Reset all the channel faders to 0.
8. Press **<Blackout>** to deactivate blackout and allow DMX transmission from the board.

Modifying A Chase

Modifying a chase is inserting a step into the middle of the chase, or removing a step.

Note: To add a step to the end of a chase, follow the instructions in [Creating A Chase From Individual Scenes](#).

Adding A Step To A Chase

Adding a step to a chase is inserting it in the middle of the chase. To add a step to the end of a chase, follow the instructions in [Creating A Chase From Individual Scenes](#). The general instruction for inserting a step in the middle of the chase are as follows:

1. Enter Program mode.
2. Use the chase buttons to select the chase to which the scene will be added.
3. Use the bank buttons to select the bank that has the scene to be added. The LED display shows the current bank just above the word Bank.
4. Press **<Tap Sync/Display>** so the display shows the steps in the selected scene.
5. Use the bank buttons to select the step of the chase after which the new step will be inserted. The LED display shows the current step just above the word Scene.
6. Press **<Midi/Add>** and then the scene button of the scene that will be saved into the step.
7. Repeat steps 3–6 as needed for other steps, or repeat steps 2–6 as needed for other chases.
8. Exit Program mode.
9. Reset faders to 0 and deactivate blackout.

The specific instructions below describe how to add **<SCENES8>** from bank 12 to the existing **<Chase 5>**, and insert it after step 4.

1. Enter Program mode.
2. Press **<Chase 5>**.
3. Press **<Bank Up>** or **<Bank Down>** until **12** shows in the LED display just above the word Bank. The board is now in bank 12.
4. Press **<Tap Sync/Display>**.
5. Press **<Bank Up>** or **<Bank Down>** until **4** shows in the LED display just above the word Bank. The board is now at step 4 of **<Chase 5>**.
6. Press **<MIDI/Add>**.
7. Press **<SCENES 8>**.
8. Press **<MIDI/Add>**. The LED display and fixture button LEDs flash to indicate a successful operation.
9. Repeat steps 3–8 as needed for other steps, or repeat steps 2-8 as needed for other chases.
10. Exit Program mode.
11. Reset all the channel faders to 0.
12. Press **<Blackout>** to deactivate blackout and allow DMX transmission from the board.

Deleting A Step From A Chase

Deleting a step from a chase is removing a step from a chase, but it does not remove the scene saved into the step..



Deleting a step from a chase does not delete the scene in the step. The scene remains and can be saved into other chases, or played back on its own. See [Deleting A Scene](#) for information on how to delete a scene.

The general instructions for deleting a step are as follows:

1. Enter Program mode.
2. Use the chase buttons to select the chase from which the step will be deleted.
3. Use the bank buttons to select the step to delete. The LED display shows the current step just above the word Bank.
4. Press **<Auto/Del>** to delete the step.
5. Repeat steps 3–4 or steps for other steps, or repeat steps 2–4 as needed for other chases.
6. Exit Program mode.
7. Reset faders to 0 and deactivate blackout.

The specific instructions below describe how to delete step 5 from **<Chase 5>**.

1. Enter Program mode.
2. Press **<Chase 5>**.
3. Press **<Tap Sync/Display>**.
4. Press **<Bank Up>** or **<Bank Down>** until **5** shows in the LED display just above the word Bank.
5. Press **<Auto/Del>**. The LED display and fixture button LEDs flash to indicate a successful operation.
6. Repeat steps 3–5 or steps for other steps, or repeat steps 2–5 as needed for other chases.
7. Exit Program mode.
8. Reset all the channel faders to 0.
9. Press **<Blackout>** to deactivate blackout and allow DMX transmission from the board.

Deleting A Chase

Deleting a chase is removing the entire chase, but not the scenes saved into the chase. The general instruction for deleting a chase are as follows:

1. Enter Program mode.
2. Use the chase buttons to select the chase that will be deleted.
3. Press **<Auto/Del>** and the chase button simultaneously.
4. Repeat steps 2-3 as needed for other chases.
5. Exit Program mode.
6. Reset faders to 0 and deactivate blackout.

The specific instructions below describe how to delete **<Chase 3>**.

1. Enter Program mode.
2. Press **<CHASE 3>**.
3. Press **<Auto/Del>** and **<CHASE 3>** together. The LED display and fixture button LEDs flash to indicate a successful operation.
4. Repeat steps 2–3 as needed for other chases.
5. Exit Program mode.

Deleting All Chases

Deleting all chases removes all the programmed chases from the board, but it does not remove the scenes or any customizations. To delete all chases do the following:

1. Enter Program mode.
2. Press **<Auto/Del>** and **<Bank Down>** together.
3. Turn the board off while still holding **<Auto/Del>** and **<Bank Down>** together.
4. Turn the board on.

5. PLAYBACK

Playback Mode Playback is used to play back saved scenes and chases. It is the mode to use when the show is happening. In playback mode the saved scenes and chases are triggered to play back. There are 4 playback types.

- Scene Playback - scenes can be triggered manually and automatically with timing set by the **<Speed Time>** and **<Fade Time>** faders, the **<Tap Sync/Display>** button, or by music.
- Chase Playback - chases can be triggered automatically, with timing set by the **<Speed Time>** and **<Fade Time>** faders, the **<Tap Sync/Display>** button, or music.
- Live Playback - “on the fly” playback is live control of the lights, identical to programming lights, but the looks are not saved.
- MIDI playback - scene and chase playback is triggered by MIDI input into the board.

It is possible to use all four playback types at once.

Scene Playback Scene playback triggers a specific scene or scenes for playback. A scene can be triggered manually by pressing a scene button, and it will stay selected until another scene is triggered. Scenes in a bank can be played one after another in a loop with timing set by the **<Speed Time>** and **<Fade Time>** faders, or the **<Tap Sync/Display>** button, or by music.

The LED display shows the current scene.



- **The scenes play back in number order within a bank.**
- **Only one bank can be played back at a time.**
- **Only programmed scenes will play back.**
- **Empty scenes will be skipped during playback.**

Manual Scene Playback Manual scene playback is triggering a single scene by pressing the scene button. The general instructions for manual scene playback are as follows:

1. Make Auto Trigger or Music Trigger type playback is not selected.
2. Use the bank buttons to locate the bank of the scene that will be triggered.
3. Press the scene button. The lights will show the programmed scene.

The specific instructions below describe how to play back **<SCENES 2>** in bank 2 and then **<SCENES 8>** in bank 4.

1. Make sure that Auto Trigger and Music trigger type playback are not selected by checking the LED display to see if the AutoTrigger or the MusicTrigger indicators are on. See [LED Display](#) for more information.
2. If the AutoTrigger indicator is on, press **<Auto/Del>**. The indicator will go off.
3. If the MusicTrigger indicator is on, press **<Music/Bank Copy>**. The indicator will go off.
4. Press **<Bank Up>** or **<Bank Down>** until **2** shows in the LED display just above the word Bank.
5. Press **<SCENES 2>**. The lights show **<SCENES 2>**.
6. Press **<Bank Up>** or **<Bank Down>** until **4** shows in the LED display just above the word Bank.
7. Press **<SCENES 8>**. The lights show **<SCENES 8>**.

Auto Scene Playback Auto Scene playback is the triggering of an entire bank of 8 scenes to play in order in a loop, in other words, scenes 1, 2, 3, 4, 5, 6, 7, 8, 1, 2, and so on, with the length of the scenes set by **<Speed Time>** and the scene-to-scene fade time set by **<Fade Time>**. The general instructions for Auto Scene playback are as follows:

1. Press **<Auto/Del>** to put the board in Auto Trigger type playback.
2. Use the bank buttons to select the bank of scene that will be played back.
3. Adjust the speed time of the loop with the **<Speed Time>**.
4. Adjust the fade time between scenes with **<Fade Time>**.

The specific instructions below describe how to playback all the scenes in bank 3, with a speed time of 8 seconds and a fade time of 0, do the following:

1. Press **<Auto/Del>** and the Auto Trigger indicator comes on.
2. Move the **<Speed Time>** and **<Fade Time>** faders all the way down.
3. Press **<Bank Up>** or **<Bank Down>** until **3** shows in the LED display just above the word Bank. The lights will show either scene 1 in bank 3 or the currently selected scene in bank 3.
4. Move the **<Speed Time>** fader until the LED display shows **8.00**. The lights will start to move through the scenes in bank 3.



The board can switch between Auto, Tap Sync, and Music at any time during playback. Whatever button is pressed last determines the type of trigger used from playback

Auto Scene Playback Using Tap-Sync Auto Scene playback using Tap Sync is the triggering of an entire bank of 8 scenes to play in order in a loop, in other words, scenes 1, 2, 3, 4, 5, 6, 7, 8, 1, 2, and so on, with the length of the scenes set by **<Tap Sync/Display>** and the scene-to-scene fade time set by **<Fade Time>**. The general instructions for Auto Scene playback using Tap Sync are as follows:

1. Make sure the board is in Auto type playback by checking the Auto Trigger indicator.
2. Use the bank buttons to select the bank of scene that will be played back.
3. Press **<Tap Sync/Display>** at least three times at the desired speed.
4. Use **<Fade Time>** to set the fade time between scenes.

Music Scene Playback Music Scene playback is the triggering an entire bank of 8 scenes to play in order in a loop, in other words, scenes 1, 2, 3, 4, 5, 6, 7, 8, 1, 2, and so on, with the length of the scenes set by the timing of the music and the scene-to-scene fade time set by **<Fade Time>**. The general instructions for Music Scene playback are as follows:

To playback all the scenes in bank 3, with timing set by the music:

1. Press **<Music/Bank Copy>** to put the board in Music Playback mode, and the Music Trigger indicator comes on.
2. Use the bank buttons to select the bank of scene that will be played back.
3. Use **<Fade Time>** to set the fade time between scenes.

Chase Playback

Chase playback triggers a chase or chases for playback. Chases are triggered manually but loop through their steps automatically at a timing set by the **<Speed Time>** fader, or by the **<Tap Sync/Display>** button, or at a time set by the music.

The LED display shows the current chase and scene as the chase loops through its steps.



- **When more than one chase is triggered, the last chase pressed is the first one played back. Then the chases continue in number order.**
- **The LED does not display chase step numbers, but displays the chase and the scene in the current step.**

Auto Chase Playback

Auto chase playback is triggering one or more chases to play back with the length of the steps set by **<Speed Time>** and the scene to scene fade time set by **<Fade Time>**. The general instructions for auto chase playback are as follows:

1. Use the chase buttons to select the chase that will be played back.
2. Press **<Auto/Del>**.
3. Adjust the speed time of the loop with the **<Speed Time>**.
4. Adjust the fade time between scenes with **<Fade Time>**.

The specific instructions below describe how to trigger **<Chase 1>** and **<Chase 2>** to play back with a speed time of 10 seconds and a fade time of 0, do the following:

1. Move the **<Speed Time>** and **<Fade Time>** faders all the way down.
2. Press **<Chase 1>**.
3. Press **<Chase 2>**.
4. Press **<Auto/Del>**.
5. Move the **<Speed Time>** a fader until the LED display shows **10.00**. The lights will start to move through the chases starting with the steps in **<Chase 2>**.



The board can switch between Auto, Tap Sync, and Music at any time during playback. Whatever button is pressed last determines the type of trigger used from playback

Auto Chase Playback Using Tap Sync

Auto chase playback using tap sync is triggering one or more chases to play back with the length of the scenes set by **<Tap Sync/Display>** and the scene to scene fade time set by **<Fade Time>**. The general instructions for auto scene chase playback using tap sync are as follows:

1. Make sure the board is in Auto type playback by checking the Auto Trigger indicator.
2. Use the chase buttons to select the chase that will be played back.
3. Press **<Tap Sync/Display>** at least three times at the desired speed.
4. Use **<Fade Time>** to set the fade time between scenes.

Music Chase Playback

Music chase playback is triggering one or more chases to play back with the length of the scenes set by the timing of the music and the scene to scene fade time set by **<Fade Time>**. The general instructions for music scene playback are as follows:

To playback all the scenes in bank 3, with timing set by the music:

1. Press **<Music/Bank Copy>** to put the board in music playback mode. The Music Trigger indicator comes on.
2. Use the chase buttons to select the chase that will be played back.
3. Use **<Fade Time>** to set the fade time between scenes.

MIDI Operation

MIDI from an external source can be used to trigger scenes and chases for playback.

Connect the MIDI source to the Obey™ with a 5 pin MIDI cable, and the Obey™ 40 D-Fi™ 2.4 will respond to MIDI input.

The table below show which scenes and chases can be triggered by an external MIDI source.

MIDI Map

MIDI Note	Function (toggles trigger on and off)
00–07	Scenes 1–8, Bank 1
08–15	Scenes 1–8, Bank 2
16–23	Scenes 1–8, Bank 3
24–31	Scenes 1–8, Bank 4
21–39	Scenes 1–8, Bank 5
40–47	Scenes 1–8, Bank 6
48–55	Scenes 1–8, Bank 7
56–63	Scenes 1–8, Bank 8
64–71	Scenes 1–8, Bank 9
72–79	Scenes 1–8, Bank 10
80–87	Scenes 1–8, Bank 11
88–95	Scenes 1–8, Bank 12
96–103	Scenes 1–8, Bank 13
104–111	Scenes 1–8, Bank 14
112–119	Scenes 1–8, Bank 15
120	Chase 1
121	Chase 2
122	Chase 3
123	Chase 4
124	Chase 5
125	Chase 6
126	Blackout

Fog Control The Obey™ 40 D-Fi™ 2.4 has a dedicated fog button that will work with compatible CHAUVET® fog machines. See the Chauvet website for available fog machines: www.chauvetlighting.com.

To operate one or more fog machines, do the following:

1. Connect the fog machines to the fog control out port on the back panel.

Note: See the fog machine's User Manual for information on linking more than one fog machine.

2. Turn on the fog machine or machines.
3. Wait for the <Fog> LED to come on.
4. Press <Fog> to generate fog.



The <Fog> LED indicates that the fog machine is at maximum temperature and ready to generate fog. When the LED is not on, the fog machine might still generate fog, but not for the maximum rated time.

Strobe Control The Obey™ 40 D-Fi™ 2.4 has a dedicated strobe button that will work with compatible CHAUVET® strobes. See the Chauvet website for available strobes: www.chauvetlighting.com.

To operate one or more strobes, do the following:

1. Connect the strobe or strobes to the strobe control out port on the back panel of the Obey™ 40 D-Fi™ 2.4.

Note: See the strobe's User Manual for information on linking more than one strobe.

2. Turn on the strobe or strobes.
3. Press <Strobe> to start the strobe.

Note: The <Strobe> button is a momentary button. The light will strobe for as long as the button is held down. When it is not pressed, the strobe is dark.



The LED indicator for the strobe button will flash at the same rate as the strobe.

Audio Sensitivity Knob The audio sensitivity knob makes the board more or less sensitive to sounds. When the knob is as far clockwise as it can go, the board is the most sensitive to sound.

6. TECHNICAL INFORMATION

Maintenance To maintain optimum performance and minimize wear, fixtures should be cleaned frequently. Usage and environment are contributing factors in determining frequency. As a general rule, fixtures should be cleaned at least twice a month. Dust build-up reduces light output performance and can cause overheating. This can lead to reduced lamp life and increased mechanical wear. Be sure to power off fixture before conducting maintenance.

1. Unplug product from power.
2. Use a vacuum or air compressor and a soft brush to remove dust collected on external vents.
3. Clean all lenses when the fixture is cold with a mild solution of glass cleaner or isopropyl alcohol and a soft lint-free cotton cloth or lens tissue.
4. Apply solution to the cloth or tissue and drag dirt and grime to the outside of the lens.
5. Gently polish optical surfaces until they are free of haze and lint.



Always dry the parts carefully after cleaning them.

Technical Specifications

WEIGHT & DIMENSIONS

Length	19 in (483 mm)
Width	3.5 in (89 mm)
Height	6.7 in (171 mm)
Weight	5.7 lb (2.6 kg)

POWER

Input Voltage	9 VDC, 500 mA
External Power Supply	100–240 VAC, 50/60 Hz

INDOOR/OUTDOOR

Rating	For indoor use only
--------	---------------------

THERMAL

Maximum ambient temperature	104 °F (40 °C)
-----------------------------	----------------

CONTROL & PROGRAMMING

Data output	3-pin XLR
Data pin configuration	pin 1 ground, pin 2 (-), pin 3 (+)
Total DMX control channels	192

ORDERING INFORMATION

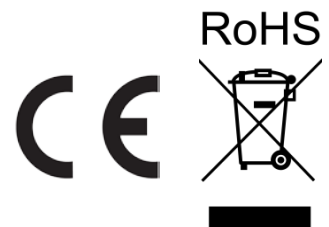
Obey™ 40 D-Fi™ 2.4	OBEY40DFI2.4
Item Code	09080697

WIRELESS

Operating Frequency	2.433 to 2.48 GHz
---------------------	-------------------

WARRANTY INFORMATION

Warranty	2-year limited warranty
----------	-------------------------



RETURNS

In case you need to get support or return a product:

- If you are located in the U.S., contact Chauvet World Headquarters.
- If you are located in the UK or Ireland, contact Chauvet Europe Ltd.
- If you are located in Mexico, contact Chauvet Mexico.
- If you are located in Benelux, contact Chauvet Europe BVBA.
- If you are located in any other country, DO NOT contact Chauvet. Instead, contact your local distributor. See www.chauvetlighting.com for distributors outside the U.S., UK, Ireland, Mexico, or Benelux.



If you are located outside the U.S., UK, Ireland, Mexico, or Benelux, contact your distributor of record and follow their instructions on how to return Chauvet products to them. Visit our website www.chauvetlighting.com for contact details.

Call the corresponding Chauvet Technical Support office and request a Return Merchandise Authorization (RMA) number before shipping the product. Be prepared to provide the model number, serial number, and a brief description of the cause for the return.

Send the merchandise prepaid, in its original box, and with its original packing and accessories. Chauvet will not issue call tags.

Clearly label the package with the RMA number. Chauvet will refuse any product returned without an RMA number.



Write the RMA number on a properly affixed label. DO NOT write the RMA number directly on the box.

Before sending the product, clearly write the following information on a piece of paper and place it inside the box:

- Your name
- Your address
- Your phone number
- RMA number
- A brief description of the problem

Be sure to pack the product properly. Any shipping damage resulting from inadequate packaging will be your responsibility. FedEx packing or double-boxing are recommended.



Chauvet reserves the right to use its own discretion to repair or replace returned product(s).

CONTACT US

WORLD HEADQUARTERS - Chauvet

General Information

Address: 5200 NW 108th Avenue
Sunrise, FL 33351
Voice: (954) 577-4455
Fax: (954) 929-5560
Toll free: (800) 762-1084

Technical Support

Voice: (954) 577-4455 (Press 4)
Fax: (954) 756-8015
Email: tech@chauvetlighting.com

World Wide Web www.chauvetlighting.com

UNITED KINGDOM AND IRELAND - Chauvet Europe Ltd.

General Information

Address: Unit 1C
Brookhill Road Industrial Estate
Pinxton, Nottingham, UK
NG16 6NT
Voice: +44 (0)1773 511115
Fax: +44 (0)1773 511110

Technical Support

Email: uktech@chauvetlighting.com

World Wide Web www.chauvetlighting.co.uk

MEXICO - Chauvet Mexico

General Information

Address: Av. Santa Ana 30
Parque Industrial Lerma
Lerma, Mexico C.P. 52000
Voice: +52 (728) 285-5000

Technical Support

Email: servicio@chauvet.com.mx

World Wide Web www.chauvet.com.mx

CHAUVET EUROPE - Chauvet Europe BVBA

General Information

Address: Stokstraat 18
9770 Kruishoutem
Belgium
Voice: +32 9 388 93 97

Technical Support

Email: Eutech@chauvetlighting.eu

World Wide Web www.chauvetlighting.eu

Outside the U.S., United Kingdom, Ireland, Mexico, or Benelux contact your dealer. Follow their instructions to request support or to return a product. Visit our website for contact details.

1. ANTES DE EMPEZAR

- Qué va Incluido**
- Obey™ 40 D-Fi 2.4
 - Fuente de Alimentación Externa
 - Tarjeta de Garantía
 - Manual de Usuario

Instrucciones de Desembalaje Desembale el Obey™ 40 D-Fi 2.4 con cuidado y compruebe que todas las piezas están en el paquete y en buen estado.

Reclamaciones Si la caja o alguno de los contenidos parecen dañados a causa del transporte, guarde todo el paquete y tramite una reclamación con el transportista inmediatamente. Si no informa al transportista del daño inmediatamente, o si no guarda todo el embalaje, puede quedar anulada una reclamación.

Para otras incidencias, como componentes o piezas que falten, daños no relacionados con el transporte o daños no evidentes, presente una reclamación a Chauvet en el plazo de 7 días desde la entrega. Vea [Contact Us](#).



Reinicie el Obey™ 40 D-Fi 2.4 antes de usar. Para más información vea [Reiniciar la Mesa](#).

Convenciones

Convención	Significado
1—512	Un rango de valores
50/60	Un conjunto de valores
Page A	Una luz indicadora en la consola
15	Información mostrada en la pantalla LCD
Settings	Una opción de menú
Menu > Settings	Una secuencia de opciones de menú
<Enter>	Un botón

Símbolos

Convención	Significado
	Información crítica. Hacer caso omiso puede provocar fallos, averías en el producto o daño al operario.
	Información importante. Hacer caso omiso puede provocar fallos en el producto.
	Información útil.

Exención de Responsabilidad

La información y especificaciones contenidas en este Manual de Usuario están sujetas a cambio sin previo aviso. Chauvet no asume responsabilidad de ningún tipo por cualquier error u omisión, y se reserva el derecho a revisar o rehacer este manual en cualquier momento. La versión más reciente de este manual se puede descargar de <http://www.chauvetlighting.com/product-manuals-literature/>.

© Copyright 2015 Chauvet. Todos los derechos reservados.

Impreso en la R. P. China.

Publicación en formato electrónico por Chauvet en EE.UU.

Autor	Fecha	Editor	Fecha
R. Isenstadt	25/03/15	A. Leon	07/04/15

El Producto de un Vistazo	Uso en Atenuador	X	Programa Automático	X
	Uso en Exteriores	X	Fuente de Alimentación con Detección Automática (auto-rango)	P
	Activado por Sonido	P	Fusible Reemplazable	X
	DMX	P	Reparable por el Usuario	X
	Maestro/Esclavo	X		

Notas de Seguridad

Estas notas incluyen información importante de seguridad sobre el montaje, uso y mantenimiento de este producto. Lea estas notas antes de usar el producto.



- Conecte siempre el producto a un circuito con toma de tierra para evitar el riesgo de electrocución.
- Asegúrese de que el cable de alimentación no está retorcido ni estropeado.
- Desconecte siempre el producto de la fuente de alimentación antes de limpiarlo o cambiar el fusible.
- Nunca desconecte el producto de la fuente de alimentación agarrando o tirando del cable.
- Si monta el producto en alto, asegúrelo siempre con un cable de seguridad.
- Asegúrese de que no hay materiales inflamables cerca del producto cuando esté en funcionamiento.



- ¡El producto es para uso en interiores solamente! Está clasificado como IP20.
- No exponga el producto a lluvia o humedad.
- Asegúrese de que la tensión de la alimentación usada para el producto está dentro del rango establecido en la etiqueta o en el panel posterior del producto.
- Nunca conecte el producto a un atenuador o reostato.
- Instale siempre el producto en una ubicación con ventilación adecuada, y deje al menos a 20" (50 cm) entre el producto y las superficies adyacentes.
- Asegúrese de que no queda bloqueada ninguna ranura de ventilación en la carcasa del producto.
- No haga funcionar el producto a una temperatura ambiente superior a 104 °F (40 °C).
- Mueva siempre el producto por los lados de montaje.
- En caso de un problema grave de funcionamiento, deje de usar el producto inmediatamente.
- Nunca intente reparar el producto. Las reparaciones llevadas a cabo por personal no cualificado pueden provocar averías o funcionamiento defectuoso.
- Si necesita reparaciones, póngase en contacto con el centro de asistencia técnica autorizado más cercano. Vea [Contacto](#) para más información.
- Para evitar un desgaste innecesario y alargar su vida útil, desconecte complemente el producto de la alimentación, mediante el interruptor o desenchufándolo, durante los periodos en los que no se use.



Guarde este Manual de Usuario para que le sirva de referencia. Si vende el producto a otro usuario, asegúrese de entregar este manual al nuevo dueño.

2. INTRODUCCIÓN

- Características**
- Transmisor D-Fi™ integrado
 - Funciona sin cables con todos los productos compatibles con D-Fi™.
 - Salida DMX
 - Controla hasta 12 tipos distintos de luces, con hasta 16 canales cada una
 - Controla múltiples luces simultáneamente
 - Almacena y reproduce 240 escenas en 30 bancos de 8 escenas cada uno
 - Almacena y reproduce 6 secuencias de 240 pasos cada una
 - Admite personalizaciones de fader
 - Reproduce múltiples secuencias en orden sucesivo
 - Controla luces "al vuelo" en modo Reproducción
 - Lanza secuencias y escenas con música, sincronización al toque o ejecución automática
 - Admite entrada MIDI para lanzar escenas y secuencias
 - Controla máquinas de niebla y estroboscopios con botones dedicados

Descripción del Producto

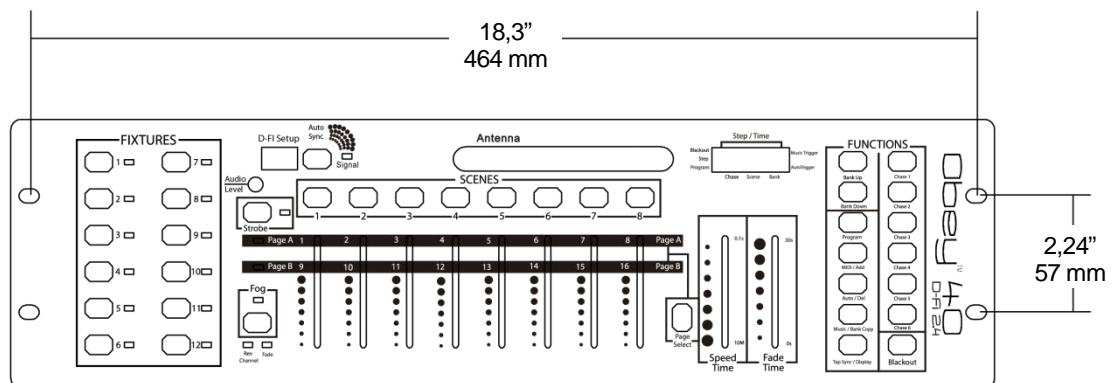
El Obey™ 40 D-Fi 2.4 (la mesa) es un controlador pequeño y potente con un transmisor D-Fi™ integrado que posibilita el control sin cables de todos los productos compatibles con D-Fi™.

Tiene varios modos de reproducción y puede controlar hasta 192 canales de DMX dispuestos en 12 grupos, a los que se accede utilizando los botones **<FIXTURES>**. Cada botón **<FIXTURES>** está vinculado a 16 canales DMX predeterminados. Estos 16 canales están divididos en 2 grupos, a los que se accede usando **<Page Select>**, lo que permite que 8 deslizadores físicos controlen 16 canales.

Montaje

El Obey™ 40 D-Fi 2.4 tiene aberturas para montaje en un rack estándar de 19 pulgadas. También tiene pies de goma para poderlo apoyar sobre una mesa. La mesa D-Fi™ se debe colocar a no más de 300 ft de los productos D-Fi™ y donde no haya obstáculos significativos, como muros de hormigón o grandes estructuras macizas de metal.

Dimensiones de Montaje



Conceptos Wireless D-Fi™

El Obey™ 40 D-Fi 2.4 utiliza una frecuencia Wireless para enviar señales DMX a los productos compatibles con D-Fi™, eliminando así la necesidad de largos cables DMX. La mesa debe estar a no más de 300 ft de los otros productos D-Fi™ y donde no haya obstáculos significativos, como muros de hormigón o grandes estructuras macizas de metal. En casos en los que alguno de los productos esté a más de 300 ft, se puede conectar a las luces un distribuidor D-Fi™ como el CHAUVET® D-Fi Hub o el D-Fi™ Stream 6, usando cables DMX. El distribuidor D-Fi™ recibe las señales DMX sin cables a través de D-Fi™ y las envía a las luces por medio de los cables DMX.

Conceptos de Programación

El Obey™ 40 D-Fi 2.4 utiliza asignación de direcciones y valores DMX para controlar los productos. Vea [Asignación de Direcciones DMX](#) y [Tabla de Asignación de Direcciones DMX](#) para más información.

Los distintos diseños se crean usando los deslizadores para enviar valores DMX a los productos. Los diseños se guardan en escenas y las escenas se guardan como pasos dentro de secuencias. Las escenas y secuencias se reproducen a distintas velocidades y con distintos tipos de disparadores.

- Los diseños se crean en el modo Programa. Los productos se seleccionan con los botones de dispositivo. Los deslizadores se mueven para controlar los productos y crear diseños. Luego los diseños se guardan en escenas con los botones de escena, y las escenas se guardan en pasos de secuencias con los botones de secuencia. Vea [4. Programación](#) para más información.
- Las escenas y secuencias se reproducen en modo Reproducción. Las escenas se lanzan con los botones de escenas y las secuencias se lanzan con los botones de secuencia. El tempo de reproducción se configura con los deslizadores de velocidad y tiempo, la función de sincronización al toque o la entrada MIDI. Vea [5. Reproducción](#) para más información.



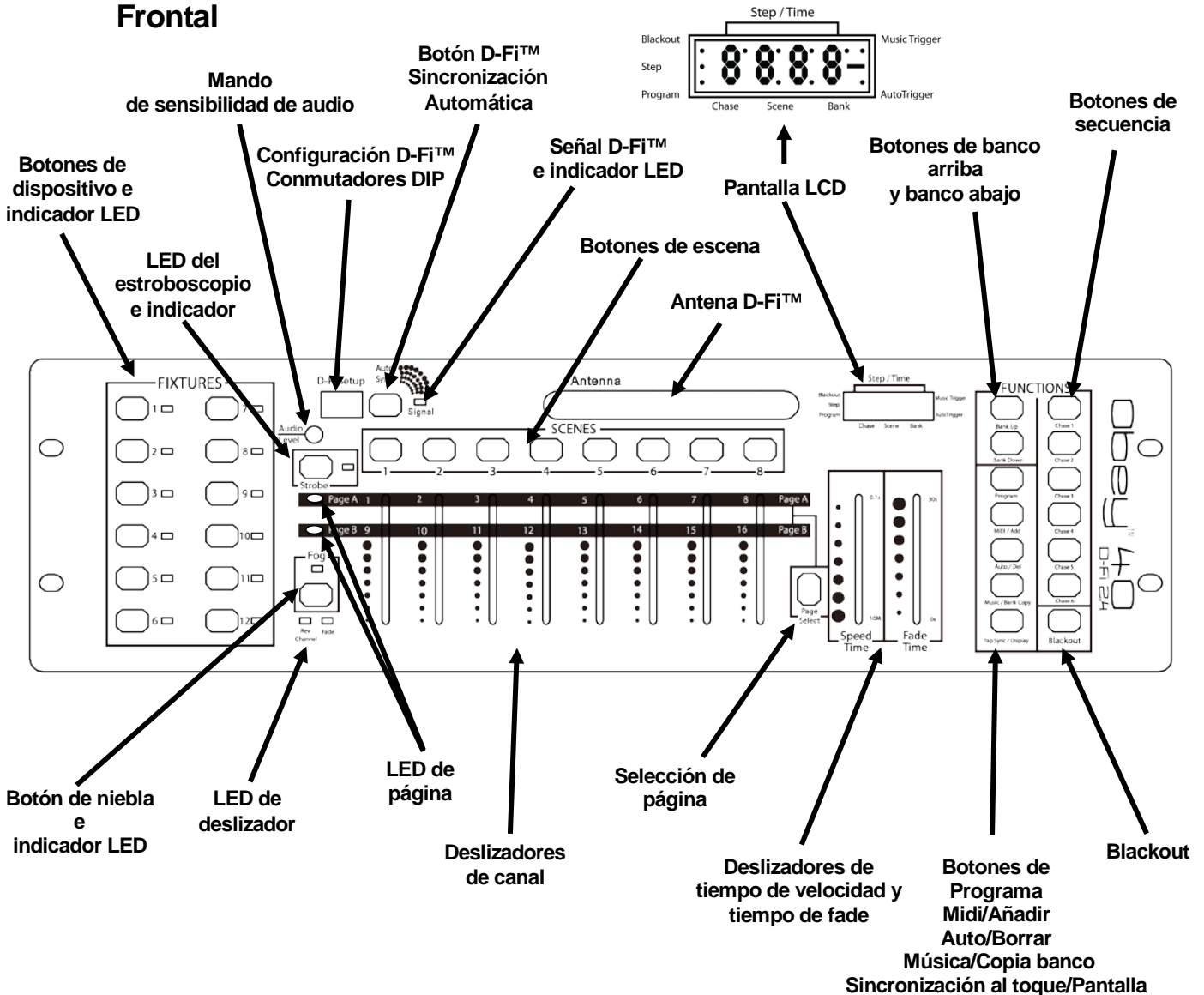
Los diseños se pueden crear en modo reproducción, pero no se pueden guardar.

Vistas Generales del Panel

El Obey™ 40 D-Fi 2.4 está organizado con los botones <FIXTURES> a la izquierda, los deslizadores DMX en el centro, junto con los botones <SCENES>, y los controles de reproducción en la derecha.

El panel posterior de la mesa tiene los puertos y la conexión de alimentación. Para más información sobre el panel posterior, vea [Vista del Panel Posterior](#).

Vista del Panel Frontal



Controles del Panel Frontal

Los controles del panel frontal proporcionan acceso a la funcionalidad D-Fi™ y a todas las operaciones de programación y reproducción de la mesa. Los conmutadores DIP se usan para configurar el D-Fi™ y el indicador de señal D-Fi™ proporciona información sobre la señal D-Fi™. Para más información, consulte [Configuración D-Fi™](#).

La pantalla LED y los LED del indicador proporcionan información sobre las operaciones y selecciones de programación actuales.

- La pantalla LED muestra los distintos tipos de información en modo Programa y modo Reproducción.
- Los LED del botón de dispositivo indican cuándo los botones <FIXTURES> y las luces correspondientes están seleccionadas.
- El LED de estroboscopio indica que el estroboscopio está encendido y la frecuencia a la que lanza destellos.
- El LED de señal D-Fi™ indica el estado de las comunicaciones D-Fi™.
- Los LED de página indican qué página del deslizador está activa.
- Los LED de deslizador indican qué deslizadores tienen una asignación personalizada.
- El LED de niebla indica que la máquina de niebla está a la temperatura correcta para generar niebla.

Descripciones del Control

Botón o Deslizador	Descripción
<FIXTURES 1> <FIXTURES 12>	Botones que seleccionan qué luces controlar y configura las direcciones DMX por defecto de los deslizadores del canal. Los LED correspondientes indican cuándo está seleccionada una luz. Nota: Estos botones se suman. Al pulsar uno y luego otro, selecciona ambas luces. Para deseleccionar una luz, púlselo otra vez y cerciórese de que el indicador LED está apagado.
<Strobe>	Botón que controla uno o más estroboscopios, y su LED que indica que el estroboscopio está encendido y la frecuencia a la que lanza destellos.
Mando de Sensibilidad de Audio	Mando que ajusta la sensibilidad de la mesa al sonido y la música.
Conmutadores DIP de Configuración D-Fi™	Conmutadores DIP que seleccionan los canales y modos D-Fi™.
<D-Fi™ Auto Sync>	Botón que sincroniza el Obey™ 40 D-Fi 2.4 con otros productos D-Fi™.
LED de Señal D-Fi™	LED que indica el estado de la señal D-Fi™.
<SCENES 1> <SCENES 8>	Botones que seleccionan una escena a la que guardar o desde la que reproducir. Se usan en conjunción con <Bank Up> y <Bank Down>.
Antena D-Fi™	Antena que transmite D-Fi™.

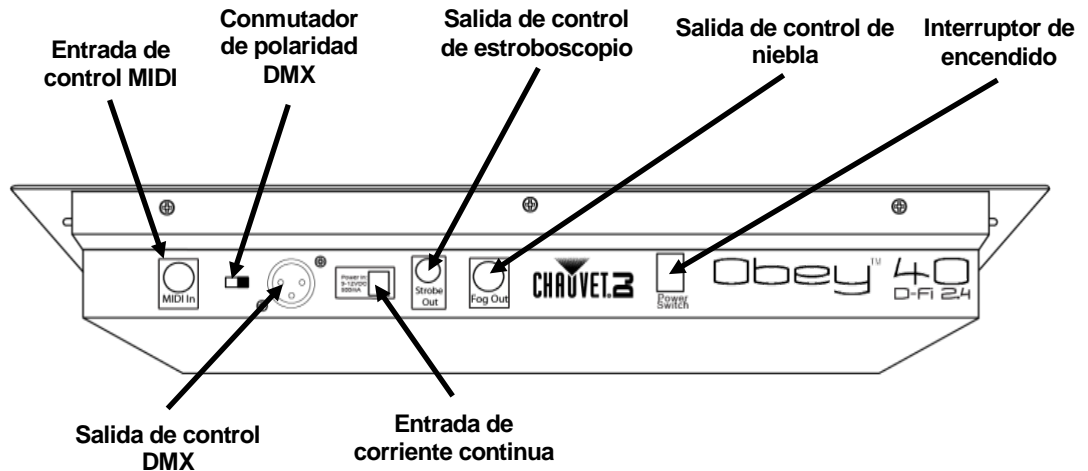
Descripciones del Control

Botón o Deslizador	Descripción
Pantalla LCD	<p>Pantalla que muestra varios tipos de información sobre las selecciones actuales y si está en modo Programa o Reproducción.</p> <ul style="list-style-type: none"> · Paso/Tiempo: muestra la secuencia y escena actuales, excepto cuando los deslizadores se están moviendo. Luego muestra el valor del deslizador que se está moviendo. · Blackout: indica que el blackout está activo y que la mesa no está enviando señales DMX. · Paso: muestra la escena actual en el paso actual de la secuencia actual en modo Reproducción o muestra que la mesa está añadiendo pasos a una secuencia en modo Programa. · Programa: indica que la mesa está en modo Programa. · Disparador de música: indica que la mesa está en modo Disparador de música. · Disparador automático: indica que la mesa está en modo Disparador automático. · Secuencia: muestra la secuencia actual en modo Reproducción o Programa. · Escena: muestra la escena actual en modo Reproducción o Programa. · Banco: muestra el banco actual en modo Reproducción o Programa.
<Bank Up>	Botón que se mueve hacia arriba por los bancos de escenas o hacia arriba por los pasos de una secuencia.
<Bank Down>	Botón que se mueve hacia abajo por los bancos de escenas o hacia abajo por los pasos de una secuencia.
<Chase 1>— <Chase 6>	Botones que seleccionan una secuencia a la que guardar o desde la que reproducir.
<Fog>	Botón que controla una o más máquinas de niebla y sus LED que indican cuándo la máquina de niebla está a la temperatura operativa.
LED de Deslizador	LED que indican que los deslizadores de la selección de dispositivo actual tienen una asignación personalizada (Fade) o inversa (Rev channel).
LED de Página	LED que indican qué página de deslizadores está activa.
<Channel 1>— <Channel 16>	Deslizadores de canal que envían valores DMX a los productos. Se usa en conjunción con <FIXTURES 1>—<FIXTURES 12> .
<Page Select>	Botón que conmuta entre Página A de deslizador y Página B de deslizador.
<Speed Time>	<p>Deslizador que ajusta el tiempo de velocidad de reproducción: el tiempo de la secuencia entera, incluyendo todos los pasos.</p> <p>Los tiempos de velocidad de reproducción van de 10 minutos a 0,1 segundos. La pantalla LCD muestra los tiempos de velocidad en minutos y segundos mientras el deslizador se está moviendo, pero vuelve a mostrar la secuencia, escena y banco actuales después de haber movido el deslizador.</p> <p>La pantalla muestra el tiempo para el deslizador de la forma siguiente:</p> <ul style="list-style-type: none"> · XX'XX: con el punto arriba, indica minutos y segundos. · XX.XX: con el punto abajo, indica segundos y décimas de segundo. <p>El deslizador se usa también para seleccionar y configurar opciones en modo Programa.</p>

Descripciones del Control

Botón o Deslizador	Descripción
<Fade Time>	<p>Deslizador que ajusta el tiempo de <i>fade</i> de reproducción —el tiempo de transición entre cada paso de una secuencia.</p> <p>Los tiempos de velocidad de reproducción van de 0 segundos a 30 segundos. La pantalla LCD muestra los tiempos de <i>fade</i> en segundos mientras el deslizador se está moviendo, pero vuelve a mostrar la secuencia, escena y banco actuales después de haber movido el deslizador.</p> <p>La pantalla muestra el tiempo para el deslizador de la forma siguiente:</p> <ul style="list-style-type: none"> · XX.XX: con el punto abajo, indica segundos y décimas de segundo. <p>El deslizador se usa también para seleccionar y configurar opciones en modo Programa.</p>
<Program>	Botón que conmuta la mesa para poner y quitar el modo Programa.
<Midi/Add>	Botón que añade escenas y pasos a las secuencias en modo Programa, y permite la selección de un canal MIDI en el modo MIDI.
<Auto/Del>	Botón que selecciona el modo de reproducción automática, en el que el tempo de reproducción se controla con los deslizadores <Speed Time> y <Fade Time>. El botón se usa para borrar secuencias y escenas en modo Programa.
<Music/Bank Copy>	Botón que selecciona el disparador de música, en el que el tempo de reproducción se controla con la música. El botón también copia un banco de escenas entero en modo Programa.
<Tap Sync/Display>	Botón que configura el disparador de sincronización al toque, en el que la reproducción se controla tocando un botón. El botón se usa también para varias funciones en el programa.
<Blackout>	Botón de conmutación que para toda la transmisión DMX. Hace que las luces se oscurezcan. Detiene el estroboscopio y la niebla. Cuando el blackout está activo, la pantalla LCD muestra un indicador.

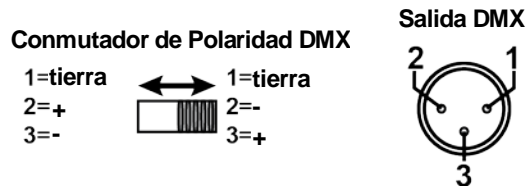
Vista del Panel Posterior



Puertos del Panel Posterior

Puerto	Función
Entrada de Control MIDI	Puerto MIDI de 5 pines para conectar una mesa MIDI.
Conmutador de Polaridad DMX	Conmutador para cambiar la polaridad DMX. Vea las Especificaciones Técnicas para los datos de configuración de pines. Nota: Algunos productos tienen invertida la polaridad. Vea el Manual de Usuario de cada producto concreto para información específica.
Salida de Control de Estroboscopio	Puerto mono de 1/4" para conectar uno o más estroboscopios en cadena.
Salida de Control de Niebla	Puerto DIM de 5 pines para conectar una o más máquinas de niebla.
Interruptor On/Off	Interruptor que apaga o enciende el Obey™ 40 D-Fi 2.4.
Salida de Control DMX	Puerto DMX de 3 pines para conectar a los productos.
Entrada de Corriente Continua	Puerto de FA externa que conecta con la alimentación.

Polaridad DMX



Todas las luces de Chauvet utilizan un pin 2 negativo y un pin 3 positivo, así que el conmutador de polaridad se debe configurar como se indica arriba y en [Vista del Panel Posterior](#) (hacia el puerto de salida de Control DMX). Los productos de otros fabricantes podrían ser distintos. Vea el Manual de Usuario de cada producto concreto para información específica.



Para más información sobre DMX, descargue el Manual DMX de www.chauvetlighting.com.

3. CONFIGURACIÓN

Corriente Alterna El Obey™ 40 D-Fi 2.4 tiene una fuente de alimentación externa con detección automática (auto-rango) que puede funcionar con un rango de tensión de entrada de 100 a 240 VCA, 50/60 Hz. Funciona a 9 VCC, 500 mA.

Antes de encender la alimentación, asegúrese de que la tensión de la línea está dentro del rango admitido que aparece en la etiqueta unida al reproductor o descrita en las [Especificaciones Técnicas](#) de este documento.

La clasificación especificada indica el consumo de corriente promedio en condiciones normales.



Para evitar un desgaste innecesario y alargar su vida útil, desconecte completamente el producto de la alimentación, mediante el interruptor o desenchufándolo, durante los periodos en los que no se use.



- **Conecte siempre la mesa a un circuito con toma de tierra.**
- **Nunca conecte la mesa a un reostato o circuito de atenuación.**

Montaje

El Obey™ 40 D-Fi 2.4 se puede montar en cualquier posición; asegúrese de que existe una ventilación adecuada alrededor del producto.

Instalación de la Mesa

Para usar la mesa se debe configurar para uso inalámbrico, o bien conectar los productos con cables DMX. Los productos se deben configurar también para el uso D-Fi™ inalámbrico, o conectarse con cables DMX. Asimismo, los productos se deben configurar con las direcciones DMX correctas.

Las secciones siguientes describen [Configuración D-Fi™](#), [Cableado DMX](#) y [Asignación de Direcciones DMX](#).



Reinicie el Obey™ 40 D-Fi 2.4 antes de usarlo por primera vez. Para más información vea [Reiniciar la Mesa](#).

Configuración D-Fi™

El D-Fi™ se configura con los conmutadores DIP del panel frontal, sobre el mando de sensibilidad al sonido. El canal Wi-Fi™ se puede seleccionar manual o automáticamente. El Obey™ 40 D-Fi 2.4 puede transmitir D-Fi™ o recibir D-Fi™.



- **Casi todos los usos del Obey™ 40 D-Fi 2.4 necesitan transmitir D-Fi™.**
- **La única ocasión en que se debe configurar el Obey™ 40 D-Fi 2.4 para recibir D-Fi™ es cuando hay otro sistema controlándolo.**
- **Cuando el Obey™ 40 D-Fi 2.4 está configurado para recibir D-Fi™ no puede transmitir D-Fi™ y se debe conectar a las luces usando cables DMX.**

Notas de Configuración

El modo de recibir D-Fi™ necesita lo siguiente:

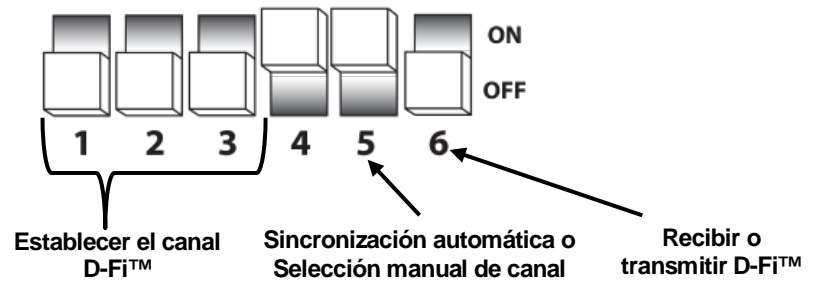
- Que el Obey™ 40 D-Fi 2.4 esté configurado para transmitir.
- Que los productos sean compatibles con D-Fi™ y estén configurados para recibir.
- Que tanto el Obey™ 40 D-Fi 2.4 como los productos estén configurados en Sincronización Automática o configurados en el mismo canal con la Selección manual de canal.
- Que el Obey™ 40 D-Fi 2.4 esté a 300 ft como máximo de las luces D-Fi™.
- Que no haya objetos macizos, como muros, grandes porciones de hormigón o estructuras macizas de metal entre el Obey™ 40 D-Fi 2.4 y las luces.



Se recomienda el modo Selección manual de canal, pero funciona con cualquier modo.

Conmutadores DIP

Los 6 conmutadores DIP que configuran el D-Fi™ de la mesa se muestran más abajo:



- Los conmutadores DIP 1 al 4 configuran el canal D-Fi™, pero el conmutador DIP 5 debe estar en posición ON para que los conmutadores DIP 1 al 4 tengan efecto.
- El conmutador DIP 5 conmuta entre los modos de selección de canal D-Fi™: Sincronización automática (OFF) y Manual (ON).
- El conmutador DIP 6 conmuta entre Transmitir D-Fi™ (ON) y Recibir D-Fi™ (OFF).

Para una lista de las combinaciones de los conmutadores DIP, vea [Tabla de Conmutadores DIP](#) en este manual o la tabla de ajustes de los conmutadores DIP de la parte superior del Obey™ 40 D-Fi 2.4.

Tabla de Conmutadores DIP

	Canal D-Fi™	Sincronización automática o manual	Transmitir o recibir	Canal D-Fi™	Sincronización automática o manual	Transmitir o recibir
Channel 1				Channel 11		
Channel 2				Channel 12		
Channel 3				Channel 13		
Channel 4				Channel 14		
Channel 5				Channel 15		
Channel 6				Channel 16		
Channel 7				Auto-Sync mode		
Channel 8				Transmit mode		
Channel 9				Receive mode		
Channel 10						

Usar la Selección de Canal Manual

Se recomienda la Selección manual de canal. Esta le comunica a la mesa qué canal D-Fi™ usar para la transmisión. Para usar la Selección manual de canal para configurar el D-Fi™, haga lo siguiente:

1. Encienda todos los demás productos D-Fi™ y configúrelos todos en el mismo canal. Para instrucciones sobre cómo hacer esto, vea el Manual de usuario de cada producto.
2. Apague la mesa Obey™ 40 D-Fi 2.4.
3. Configure la mesa en el mismo canal que los productos con los conmutadores DIP. Para más información, vea [Tabla de Conmutadores DIP](#).
4. Asegúrese de que el conmutador DIP 6 está en posición ON.
5. Encienda el Obey™ 40 D-Fi 2.4. El LED de señal parpadea rápido.

Usar la Selección de Canal de Sincronización Automática

La Selección de Canal de Sincronización Automática inicia una negociación entre el Obey™ 40 D-Fi 2.4 y los otros productos D-Fi™ para establecer un canal para la transmisión D-Fi™. Para usar la Sincronización Automática para configurar el D-Fi™, haga lo siguiente:

1. Encienda todos los demás productos D-Fi™ y configúrelos en Sincronización Automática. Para instrucciones sobre cómo hacer esto, vea el Manual de usuario de cada producto.
2. Apague el Obey™ 40 D-Fi 2.4.
3. Configure la mesa en Sincronización Automática colocando el conmutador DIP 5 en posición OFF.
4. Asegúrese de que el conmutador DIP 6 está en posición ON.
5. Encienda el Obey™ 40 D-Fi 2.4. El LED de señal se encenderá de forma continua.
6. Pulse **<Auto>** y manténgalo pulsado durante al menos 15 segundos. El LED de señal empezará a parpadear rápidamente cuando la mesa se esté comunicando con los otros productos.
7. Continúe manteniendo pulsado **<Auto>** hasta que todos los demás productos D-Fi™ indiquen que están recibiendo. Para ver información sobre esto, consulte el Manual de usuario de cada producto.



Los Manuales de Usuario de los productos CHAUVET® D-Fi™ se pueden encontrar en la web en <http://www.chauvetlighting.com/product-manuals-literature/>.



El Obey™ 40 D-Fi 2.4 debe estar a no más de 300 ft de los productos y no debe haber obstáculos significativos entre el Obey™ 40 D-Fi 2.4 y los otros productos.



- Configure todos los demás productos antes de configurar el Obey™ 40 D-Fi 2.4.
- Asegúrese de que el Obey™ 40 D-Fi 2.4 está apagado antes de cambiar los conmutadores DIP.

Indicador de Señal D-Fi™

El indicador de señal D-Fi™ proporciona información sobre el estado del D-Fi™ del Obey™ 40 D-Fi 2.4. La tabla de abajo indica los distintos estados del indicador y lo que significa cada uno.

Indicador LED	Modo	Significado
Luz fija	Sincronización Automática	Todavía no se ha conectado Esperando que acabe la Sincronización Automática
Parpadeo lento	Recepción	Listo para recibir
Parpadeo rápido	Recepción	Recibiendo datos
	Transmisión	Transmitiendo o listo para transmitir
	Sincronización Automática	Conexión establecida. Ha terminado la Sincronización Automática

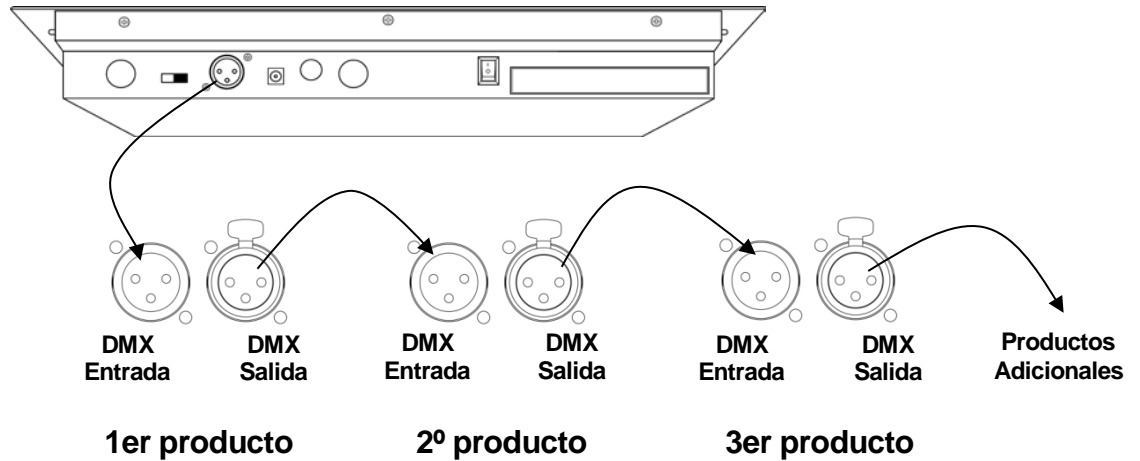
Cableado DMX

El cableado DMX se puede usar con la transmisión D-Fi™ o en lugar de la transmisión D-Fi™ para productos que no sean compatibles con D-Fi™. Para usar el cableado DMX, conecte el cable DMX desde la salida DMX de la mesa a la entrada DMX del primer producto de la instalación.

Luego conecte otro cable DMX desde la salida DMX del primer producto de la instalación a la entrada DMX del siguiente producto.

Continúe conectando hasta que esté conectados todos los productos.

Diagrama de Cableado DMX

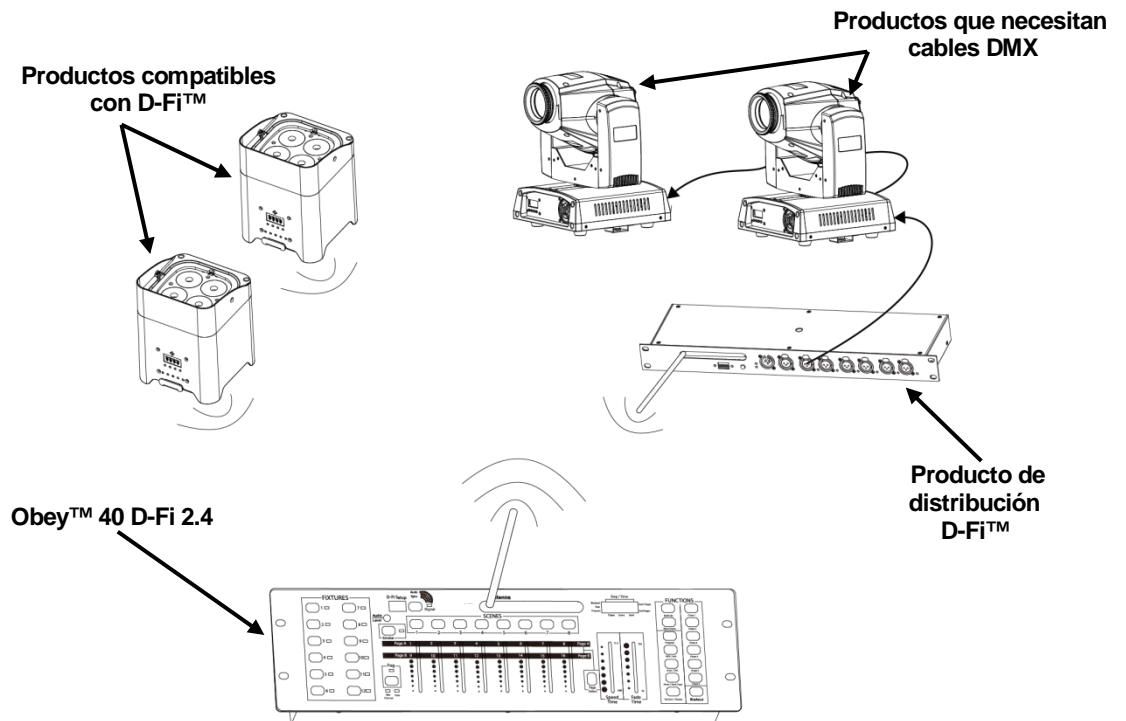


Comunicación D-Fi™

La comunicación D-Fi™ se puede usar de forma independiente o en combinación con cableado DMX. Los productos compatibles con D-Fi™ reciben la señal D-Fi™ directamente del Obey™ 40 D-Fi 2.4, y los productos que necesitan cableado DMX se pueden conectar a productos de distribución D-Fi™ como el D-Fi™ Hub y el D-Fi™ Stream 6, que reciben la señal D-Fi™ y la envían con cables DMX.

Los productos que necesitan cables DMX se pueden conectar también directamente al Obey™ 40 D-Fi 2.4 como se muestra más arriba en [Diagrama de Cableado DMX](#).

Diagrama D-Fi™



Asignación de Direcciones DMX

El Obey™ 40 D-Fi 2.4 utiliza direcciones DMX. La mesa controla las luces con direcciones DMX específicas y estas direcciones han de asignarse correctamente a las luces para que la mesa las controle.

Más de una luz puede tener la misma dirección DMX, pero las luces con la misma dirección DMX tienen que ser el mismo tipo de luz.

Abajo aparece una tabla mostrando los rangos de direcciones DMX del Obey™ 40 D-Fi™ 2.4 con sus botones de dispositivo correspondientes.

Tabla de Asignación de Direcciones DMX

Dirección	Botón de Dispositivo
1–16	<FIXTURES 1>
17–32	<FIXTURES 2>
33–48	<FIXTURES 3>
49–64	<FIXTURES 4>
65–80	<FIXTURES 5>
81–96	<FIXTURES 6>
97–112	<FIXTURES 7>
113–128	<FIXTURES 8>
129–144	<FIXTURES 9>
145–160	<FIXTURES 10>
161–176	<FIXTURES 11>
177–192	<FIXTURES 12>

Tras haber asignado dirección a los productos, la mesa los controla con los botones <FIXTURES>. Por ejemplo:

- Cualquier producto al que se haya asignado la dirección **49** se controla con <FIXTURES 4>.
- Cualquier producto al que se haya asignado la dirección **145** se controla con <FIXTURES 10>.

Deslizadores y Páginas

El Obey™ 40 D-Fi 2.4 tiene 8 deslizadores de canal con dos páginas por deslizador para un total de 16 canales.

Los deslizadores controlan diferentes direcciones DMX dependiendo de qué página esté activa y qué botón de dispositivo se pulse.

Las páginas son un método para controlar 16 canales con solo 8 deslizadores de canal. Al conmutar entre las páginas se conmuta entre dos direcciones DMX para el deslizador. Cuando la Página A está activa, los deslizadores quedan numerados 1–8. Cuando la Página B está activa, los deslizadores quedan numerados 9–16.

El botón <Page Select> conmuta entre páginas activas. Los LED de la Página A y Página B indican qué página está activa.

Cuando la Página A está activa, los deslizadores de canal controlan las 8 primeras direcciones DMX de la luz seleccionada.

Cuando la Página B está activa, los deslizadores de canal controlan las 8 últimas direcciones DMX de la luz seleccionada.

Direcciones DMX del Deslizador

Las direcciones DMX del deslizador por defecto las determina la combinación de los botones <FIXTURES> y Página A o Página B. Por ejemplo:

- Cuando está seleccionado <FIXTURES 1> las direcciones DMX por defecto de los deslizadores de canal son 1–16. DMX 1–8 cuando está activa la Página A y DMX 9–16 cuando está activa la Página B.
- Cuando está seleccionado <FIXTURES 7> las direcciones DMX por defecto de los deslizadores de canal son 97–112. DMX 97–104 cuando está activa la Página A y DMX 105–112 cuando está activa la Página B.

Cuando se seleccionan 2 botones de dispositivo, cada deslizador tiene 2 direcciones DMX por defecto diferentes. Por ejemplo:

- Cuando están seleccionados <FIXTURES 1> y <FIXTURES 7> el deslizador de canal 1 tiene las direcciones DMX 1 y 97.

Personalización del Deslizador

Las personalizaciones del deslizador son herramientas muy potentes, pero no son imprescindibles. El Obey™ 40 D-Fi 2.4 puede controlar una instalación de luz considerable sin ninguna personalización de deslizadores.

La personalización de deslizadores puede ser una de estas dos:

- Asignación de deslizador, que cambia la dirección DMX por defecto de un deslizador de canal.
- Inversión de deslizador, que invierte la salida del deslizador.

La asignación de deslizador cambia la dirección DMX de un deslizador dentro de un botón de dispositivo, de modo que 2 luces, asignadas a distintos botones de dispositivo y con diferentes configuraciones de canal DMX, se pueden controlar desde un solo deslizador de canal. Vea [Crear una Asignación de Deslizador](#) para más información.

Nota: Consulte los Manuales de Usuario de los productos para información sobre las configuraciones de los canales DMX.

La inversión de deslizador cambia el orden de los valores DMX enviados cuando el deslizador de canal se mueve. En modo normal, un deslizador de canal envía un valor DMX más alto al moverse hacia arriba, enviando el valor 0 en la posición inferior y 255 en la superior. Cuando el deslizador se invierte, envía el valor 255 desde la parte inferior y 0 desde la superior. Vea [Crear una Inversión del Deslizador](#) para más información.

Los LED del deslizador indican cuándo se ha personalizado o invertido un deslizador.

Crear una Asignación de Deslizador

Una asignación de deslizador se produce cuando la dirección DMX por defecto de un deslizador se cambia. La asignación de deslizador es una potente herramienta muy útil en ciertas situaciones, pero no es imprescindible.

Las siguientes instrucciones describen cómo crear una asignación de deslizador para un deslizador concreto, pero las asignaciones de deslizador se pueden crear para cualquier deslizador con cualquier botón de dispositivo.

Para crear una asignación de deslizador y cambiar la dirección DMX de **<FIXTURES 2>** **<Channel 7>** de 7 a 5, haga lo siguiente:

1. Pulse **<Program>** y **<Tap Sync/Display>** a la vez para entrar en la personalización de asignación del deslizador.
2. Pulse **<FIXTURES 2>**.
3. Compruebe que **<FIXTURES 2>** es el único botón de dispositivo seleccionado y pulse todos los botones de dispositivo encendidos para deseccionarlos.
4. Mueva el deslizador **<Speed Time>** hasta que aparezca **0707** en la pantalla LCD.
5. Mueva el deslizador **<Fade Time>** hasta que aparezca **05** en el lado derecho de la pantalla LCD.
6. Pulse **<Midi/Add>** para guardar la personalización.
7. Mueva el deslizador **<Speed Time>** hasta que aparezca **0505** en la pantalla LCD.
8. Mueva el deslizador **<Fade Time>** hasta que aparezca **0516** en la pantalla LCD.
9. Pulse **<Midi/Add>** para guardar la configuración.

Nota: Los pasos 7–9 reasignan el deslizador 5 a una dirección DMX sin usar, con lo que ambos deslizadores, 5 y 7, no intentan enviar a la dirección DMX 5.

10. Pulse **<Program>** y **<Tap Sync/Display>** a la vez para salir de la personalización de asignación del deslizador.

- Cada deslizador de canal dentro de una selección de dispositivo puede enviar valores a una dirección DMX solamente. Así que, si se reasigna la dirección DMX por defecto de un deslizador, a ese deslizador se le debe dar otra dirección DMX.
- Las asignaciones personalizadas de deslizador solo se pueden quitar realizando un reinicio de software. Sin embargo, reiniciar la mesa quita todas las demás personalizaciones y programación de la mesa. Vea [Reiniciar la Mesa](#) para más información.



Copiar una Asignación del Deslizador

- Las asignaciones del deslizador se pueden copiar de un botón de dispositivo a otro.
- Para copiar la personalización del deslizador <FIXTURES 2> al <FIXTURES 11> haga lo siguiente:
1. Pulse <Program> y <Tap Sync/Display> a la vez para entrar en la personalización de asignación del deslizador.
 2. Pulse y mantenga pulsado <FIXTURES 2>.
 3. Continúe manteniendo pulsado <FIXTURES 2> y pulse y mantenga pulsado <FIXTURES 11>.
 4. Continúe manteniendo pulsados <FIXTURES 2> y <FIXTURES 11> y pulse y mantenga pulsado <Midi/Add>.
 5. Continúe manteniendo pulsados <FIXTURES 11> y <Midi/Add>, pero suelte <FIXTURES 2>.
 6. Continúe manteniendo pulsado <Midi/Add>, pero suelte <FIXTURES 11>.
 7. Suelte <Midi/Add>.
 8. Pulse <Program> y <Tap Sync/Display> a la vez para salir de la personalización de asignación del deslizador.



Copiar una asignación personal de deslizador no copiara un deslizador inverso.

Crear una Inversión de Deslizador

Una inversión de deslizador se produce cuando el orden de los valores enviados por un deslizador se invierte. En lugar de enviar el valor más alto cuando el deslizador está en la parte superior, un deslizador inverso envía el valor más bajo cuando el deslizador está arriba.

Las inversiones del deslizador son una herramienta muy potente, pero no imprescindible.

Las siguientes instrucciones describen cómo invertir un deslizador concreto, pero se puede invertir cualquier deslizador dentro de cualquier botón de dispositivo.

Para invertir <Channel 12> en <FIXTURES 9>, haga lo siguiente:

1. Pulse <Program> y <Tap Sync/Display> a la vez dos veces para entrar en la personalización de inversión del deslizador.
2. Pulse <FIXTURES 9>.
3. Mueva el deslizador <Speed Time> hasta que aparezca **12** en la pantalla LCD.
4. Mueva <Fade Time> hasta arriba del todo para activar la inversión del deslizador. El carácter a la derecha de 12 in en la pantalla LCD cambiará.
5. Pulse <Midi/Add> para guardar la configuración.
6. Pulse <Program> y <Tap Sync/Display> a la vez dos veces para salir de la personalización de inversión del deslizador.

Reiniciar la Mesa

Reiniciar la mesa elimina todas las personalizaciones y programación, y devuelve la mesa a su configuración de fábrica. La mesa se debe reiniciar para espectáculos nuevos que necesiten nuevas personalizaciones y configuraciones. Reiniciar la mesa se puede usar para acabar con comportamientos extraños que sucedan después de muchas personalizaciones.

Para reiniciar la mesa, haga lo siguiente:

1. Apague la mesa.
2. Pulse y mantenga pulsado <Bank Up> y <Auto/Del> a la vez.
3. Mientras sigue pulsando <Bank Up> y <Auto/Del>, encienda la mesa. La LCD parpadea para indicar un funcionamiento correcto.



- **Al reiniciar la mesa borra todas las escenas, secuencias y personalizaciones.**
- **El reinicio de la mesa puede tardar hasta 30 segundos.**

4. PROGRAMACIÓN

Modo Programa

El modo Programa se usa para programar para la reproducción. En modo Programa los diseños de iluminación se crean y se guardan para la reproducción. La programación para la reproducción se desarrolla en tres partes.

1. Programar las luces: seleccionarlas y controlarlas para crear diseños.
2. Programar escenas: guardar los diseños en escenas.
3. Programar secuencias: guardar las escenas en secuencias.

La siguiente sección describe cómo programar las luces, escenas y secuencias, y cómo modificar y borrar escenas y secuencias.



Las luces se pueden programar en modo Reproducción, pero los diseños creados en modo Reproducción no se pueden guardar.

Entrar en el Modo Programa

Para entrar en el modo Programa, haga lo siguiente:

1. Encienda la mesa.
2. Pulse y mantenga pulsado **<Program>** durante tres segundos.
3. La luz indicadora del programa, en la esquina inferior izquierda de la pantalla LCD, se enciende.
4. Suelte **<Program>**.

Salir del Modo de Programa

Para salir del modo Programa, haga lo siguiente:

1. Pulse y mantenga pulsado **<Program>** durante tres segundos.
2. La luz indicadora del programa, en la esquina inferior izquierda de la pantalla LCD, se apaga y el indicador de blackout se enciende.
3. Suelte **<Program>**.



El Blackout se activa cuando la mesa sale del modo Programa. El Blackout se tiene que desactivar para ver los diseños de iluminación. Vea [<Blackout>](#) para más información.

I. Programar las Luces

Programar las luces es controlarlas con los deslizadores para configurar los colores, posiciones y modos de funcionamiento. El resultado de controlar las luces es un diseño.

Programar luces en el modo Programa y crear diseños es la primera parte de programar para la reproducción.

Llamamos reproducción a la acción de poner en marcha los diseños programados para un espectáculo. Los diseños se reproducen desde escenas y secuencias. Vea [5. Reproducción](#) para más información. Las luces se pueden controlar en modo Reproducción, pero los diseños creados en modo Reproducción no se pueden guardar.

- **Consulte el manual de usuario de la luz para obtener información sobre las asignaciones de canal DMX de la luz. Los manuales de usuario para los productos CHAUVET® están disponibles desde el sitio web de Chauvet en <http://www.chauvetlighting.com/product-manuals-literature/>.**
- **Programar para la reproducción solo se puede hacer en el modo Programa.**
- **Los botones de dispositivo se suman. Se puede seleccionar más de una luz al mismo tiempo. Fíjese en los LED de botón de dispositivo, porque estos indican qué luces están seleccionadas.**
- **Dos dispositivos se pueden programar al mismo tiempo, pero tienen que tener la misma asignación de canal DMX.**
- **Las instrucciones de abajo utilizan luces, escenas, bancos y secuencias concretas, pero las operaciones se pueden llevar a cabo sobre cualquier luz, escena, banco o secuencia.**



Programar dos Productos Programar producto es enviarles valores DMX para controlarlos y crear un diseño. Los pasos generales para programar un producto son los siguientes:

1. Entre en el modo Programa.
2. Pulse uno o más botones **<FIXTURE>** para seleccionar uno o más productos.
3. Mueva los deslizadores del canal para controlar el producto o productos. Utilice **<Page Select>** para moverse por las páginas del deslizador.
4. Repita los pasos 2–4 según sea necesario para otros productos.
5. Guarde el diseño en una escena. Vea [Crear una Escena](#).
6. Salga del modo Programa.

Nota: si el diseño no se guarda en una escena, se perderá cuando abandone el modo Programa.

Las instrucciones específicas de más abajo describen la programación de un producto de 12 canales en **<FIXTURES 3>** y de un producto de 15 canales en **<FIXTURES 5>**.

1. Entre en el modo Programa.
2. Pulse **<FIXTURES 3>**. Su LED se enciende y queda seleccionado.
3. Mueva cualquiera de los 8 deslizadores de canal para enviar valores DMX a los primeros 8 canales de **<FIXTURES 3>**. La luz responde a los deslizadores.
4. Pulse **<Page Select>**. El LED de Página B se enciende y el LED de Página A se apaga. El deslizador de Página B está ahora activo.
5. Mueva cualquiera de los 4 primeros deslizadores de canal para enviar valores DMX a los últimos 4 canales de **<FIXTURES 3>** y el producto responde a los deslizadores.
6. Pulse **<FIXTURES 5>**. Su LED se enciende y queda seleccionado. Ahora están seleccionadas ambas luces.
7. Pulse **<FIXTURES 3>**. Su LED se apaga y ya no está seleccionado. Ya solo está seleccionado **<FIXTURES 5>**.
8. Pulse **<Page Select>**. El LED de Página A se enciende y el LED de Página B se apaga. El deslizador de Página B está ahora activo.
9. Mueva cualquiera de los 8 deslizadores para enviar valores DMX a los primeros 8 canales de **<FIXTURES 5>**. La luz responde a los deslizadores.
10. Pulse **<Page Select>**. El LED de Página B se enciende y el LED de Página A se apaga. El deslizador de Página B está ahora activo.
11. Mueva cualquiera de los primeros 7 deslizadores para enviar valores DMX a los últimos 7 canales de **<FIXTURES 5>**. La luz responde a los deslizadores.
12. Repita los pasos 2-11 según sea necesario para otros productos.
13. Guarde el diseño en una escena. Vea [Crear una Escena](#).

Nota: si el diseño no se guarda en una escena, se perderá cuando abandone el modo Programa.

II. Programar Escenas

Programar escenas es guardar los diseños de iluminación en escenas.

Programar escenas es la segunda parte de la programación para la reproducción. Y puede ser la última parte, porque las escenas se pueden reproducir sin que formen parte de una secuencia. Vea [Reproducción de Escena](#) para más información.

El Obey™ 40 D-Fi 2.4 tiene 30 bancos con 8 escenas cada uno, con lo que guardar una escena implica seleccionar el banco y la escena.



En la reproducción de la escena, las escenas se reproducen por orden numérico, por banco. Así, al programar para reproducción de escenas, asegúrese de que los cambios de escena 1 a escena 2 y a escena 3 tienen sentido.

Crear una Escena

Crear una escena es guardar un diseño de iluminación en un botón de escena, de modo que el diseño se pueda reproducir en modo Reproducción. Los pasos generales para crear una escena son los siguientes:

1. Entre en el modo Programa.
2. Programe las luces para crear un diseño. Vea [Programar dos Productos](#).
3. Utilice los botones de banco para seleccionar el banco en el que se creará la escena. En la pantalla LCD aparece el banco actual justo encima de la palabra Bank.
4. Guarde el diseño pulsando **<Midi/Add>** y luego un botón de escena dentro de un banco.
5. Repita los pasos 2–3 según sea necesario para otros diseños y escenas.
6. Salga del modo Programa.
7. Reinicie los deslizadores a 0 y desactive el blackout.

Las instrucciones específicas de más abajo describen cómo guardar un diseño como **<SCENES3>** del banco 15.

1. Entre en el modo Programa.
2. Programe una o más luces hasta que el diseño sea correcto. Vea [Programar dos Productos](#).
3. Pulse **<Midi/Add>**.
4. Pulse **<Bank Up>** o **<Bank Down>** hasta que aparezca **15** en la pantalla LCD justo encima de la palabra Bank.
5. Pulse **<SCENES 3>**. La pantalla LCD los LED de dispositivo parpadean para indicar un funcionamiento correcto.
6. Repita los pasos 2–5 según sea necesario para otros diseños y escenas.
7. Salga del modo Programa.
8. Reinicie todos los deslizadores de canal a 0.
9. Pulse **<Blackout>** para desactivar el blackout y permitir la transmisión DMX desde la mesa.

Borrar una Escena Borrar una escena es eliminar un diseño de un botón de escena de modo que no se pueda reproducir en el modo Reproducción.



Borrar una escena guardada como paso de una secuencia borrará también el paso de dicha secuencia.

Las instrucciones generales para borrar una escena son las siguientes:

1. Entre en el modo Programa.
2. Utilice los botones de banco para ir al banco en el que se almacena la escena que se va a borrar. En la pantalla LCD aparece el banco actual justo encima de la palabra Bank.
3. Borre la escena pulsando **<Auto/Del>** y luego el botón de la escena.
4. Repita los pasos 2–3 según sea necesario para otras escenas.
5. Salga del modo Programa.
6. Reinicie los deslizadores a 0 y desactive el blackout.

Nota: Una escena puede borrarse en modo Programa cuando esté activa en modo Reproducción.

Las instrucciones específicas de más abajo describen cómo borrar la **<SCENES 4>** del banco 2.

1. Entre en el modo Programa.
2. Pulse **<Bank Up>** o **<Bank Down>** hasta que aparezca **2** en la pantalla LCD justo encima de la palabra Bank.
3. Pulse y mantenga pulsado **<Auto/Del>** y luego pulse **<SCENES 4>**. La pantalla LCD y los LED de dispositivo parpadean para indicar un funcionamiento correcto.
4. Repita los pasos 2–4 según sea necesario para otras escenas.
5. Salga del modo Programa.
6. Reinicie todos los deslizadores de canal a 0.

Pulse **<Blackout>** para desactivar el blackout y permitir la transmisión DMX desde la mesa.

Borrar un Banco de Escenas Borrar un banco de escenas es borrar las 8 escenas de un banco, de modo que no se puedan reproducir en modo Reproducción. Las instrucciones generales para borrar un banco de escenas son las siguientes:

1. Entre en el modo Programa.
2. Utilice los botones de banco para ir al banco que se va a borrar. En la pantalla LCD aparece el banco actual justo encima de la palabra Bank.
3. Pulse y mantenga pulsados **<Auto/Del>** y **<Music/Bank Copy>** a la vez. La pantalla LCD y los LED de botón de dispositivo parpadean para indicar un funcionamiento correcto.
4. Repita los pasos 2–3 según sea necesario para otros bancos.
5. Salga del modo Programa.
6. Reinicie los deslizadores a 0 y desactive el blackout.

Las instrucciones específicas de más abajo describen cómo borrar el banco 30.

1. Entre en el modo Programa.
2. Pulse **<Bank Up>** o **<Bank Down>** hasta que aparezca **30** en la pantalla LCD justo encima de la palabra Bank.
3. Pulse y mantenga pulsados **<Auto/Del>** y **<Music/Bank Copy>** a la vez. La pantalla LCD y los LED de botón de dispositivo parpadean para indicar un funcionamiento correcto.
4. Repita los pasos 2–3 según sea necesario para otros bancos.
5. Salga del modo Programa.
6. Reinicie todos los deslizadores de canal a 0.
7. Pulse **<Blackout>** para desactivar el blackout y permitir la transmisión DMX desde la mesa.

Borrar Todas las Escenas

Borrar todas las escenas es eliminar todas las escenas que se hayan guardado en cualquiera de los bancos. Para borrar todas las escenas de la mesa, pero no borrar las personalizaciones del deslizador, haga lo siguiente:

1. Apague la mesa.
2. Pulse y mantenga pulsado **<Bank Down>** y **<Program>**.
3. Continúe manteniendo pulsados **<Bank Down>** y **<Program>** y encienda la mesa.
4. Continúe manteniendo pulsados **<Bank Down>** y **<Program>** hasta que la pantalla LCD y los LED de botón de dispositivo parpadeen.
5. Suelte **<Bank Down>** y **<Program>**.

III. Programar Secuencias

Programar secuencias es guardar escenas como pasos en secuencias. Programar secuencias es la tercera parte de la programación para la reproducción. Tiene que haber escenas ya guardadas en la mesa antes de poder programar secuencias.

Crear una Secuencia a Partir de Escenas Individuales

Crear una secuencia a partir de escenas individuales es guardar escenas individuales en pasos individuales en una secuencia; las escenas se pueden guardar en los pasos en cualquier orden. Las instrucciones generales para crear una secuencia a partir de escenas individuales son las siguientes:

1. Entre en el modo Programa.
2. Pulse un botón de secuencia para seleccionar la secuencia que desea crear.
3. Utilice los botones de banco y los botones de escena para localizar la escena que se guardará como un paso de la secuencia. En la pantalla LCD aparece el banco actual justo encima de la palabra Bank.
4. Pulse **<Midi/Add>** dos veces para guardar la escena dentro de un paso.
5. Repita los pasos 3–4 para añadir más escenas en los pasos, o los pasos 2–4 para añadir más secuencias.
6. Salga del modo Programa.
7. Reinicie los deslizadores a 0 y desactive el blackout.

Nota: Las escenas se guardan en pasos en orden secuencial: la primera escena guardada en la secuencia va en el paso 1, la segunda escena guardada en la secuencia va en el paso 2 y así sucesivamente.

Las instrucciones específicas de más abajo describen cómo crear **<Chase 1>** como una secuencia de 3 pasos formada por **<SCENES 3>** del banco 15, **<SCENES 4>** del banco 2 y **<SCENES 8>** del banco 1.

1. Entre en el modo Programa.
2. Pulse **<Chase 1>**.
3. Pulse **<Bank Up>** o **<Bank Down>** hasta que aparezca **15** en la pantalla LCD justo encima de la palabra Bank.
4. Pulse **<SCENES 3>**. Las luces ejecutan **<SCENES 3>** del banco 15.
5. Pulse **<Midi/Add>** 2 veces. La pantalla LCD y los LED de botón de dispositivo parpadean para indicar un funcionamiento correcto.
6. Pulse **<Bank Up>** o **<Bank Down>** hasta que aparezca **2** en la pantalla LCD justo encima de la palabra Bank.
7. Pulse **<SCENES 4>**. Las luces ejecutan **<SCENES 4>** del banco 2.
8. Pulse **<Midi/Add>** 2 veces. La pantalla LCD y los LED de botón de dispositivo parpadean para indicar un funcionamiento correcto.
9. Pulse **<Bank Up>** o **<Bank Down>** hasta que aparezca **1** en la pantalla LCD justo encima de la palabra Bank.
10. Pulse **<SCENES 8>**. Las luces muestran **<SCENES 8>** en el banco 1.
11. Pulse **<Midi/Add>** 2 veces. La pantalla LCD y los LED de botón de dispositivo parpadean para indicar un funcionamiento correcto.
12. Repita los pasos 3–11 según sea necesario para otros pasos, o repita los pasos 2–11 según sea necesario para otros pasos.
13. Salga del modo Programa.
14. Reinicie todos los deslizadores de canal a 0.
15. Pulse **<Blackout>** para desactivar el blackout y permitir la transmisión DMX desde la mesa.

Crear una Secuencia a Partir de un Banco de Escenas

Una forma rápida y eficiente de programar es crear 8 diseños en 8 escenas de un banco y luego guardar el banco completo en una secuencia. Las escenas se reproducirán en orden numérico, 1, 2, 3, 4, 5, 6, 7, 8, en bucle.

Las instrucciones generales para crear una secuencia a partir de un banco de escenas las siguientes:

1. Entre en el modo Programa.
2. Pulse un botón de secuencia para seleccionar la secuencia que desea crear.
3. Utilice los botones de banco para seleccionar el banco que va a guardar en la secuencia. En la pantalla LCD aparece el banco actual justo encima de la palabra Bank.
4. Pulse **<Music/Bank Copy>** y **<Midi/Add>** simultáneamente.
5. Repita los pasos 3-4 según sea necesario para añadir más bancos a la secuencia seleccionada actualmente o repita los pasos 2-4 si lo necesita para otras secuencias.
6. Salga del modo Programa.
7. Reinicie los deslizadores a 0 y desactive el blackout.

Las instrucciones específicas de abajo describen cómo crear **<Chase 5>** a partir de las escenas en el banco 12.

1. Entre en el modo Programa.
2. Pulse **<Chase 5>**.
3. Pulse **<Bank Up>** o **<Bank Down>** hasta que aparezca **12** en la pantalla LCD justo encima de la palabra Bank.
4. Pulse **<Music/Bank Copy>** y **<MIDI/Add>** simultáneamente. La pantalla LCD y los LED de botón de dispositivo parpadean para indicar un funcionamiento correcto.
5. Repita los pasos 3-4 según sea necesario para añadir más bancos a la secuencia seleccionada actualmente o repita los pasos 2-4 si lo necesita para otras secuencias.
6. Salga del modo Programa.
7. Reinicie todos los deslizadores de canal a 0.
8. Pulse **<Blackout>** para desactivar el blackout y permitir la transmisión DMX desde la mesa.

Modificar una Secuencia

Modificar una secuencia es insertar un paso en medio de una secuencia o eliminar un paso.

Nota: Para añadir un paso al final de una secuencia, siga las instrucciones en [Crear una Secuencia a Partir de Escenas Individuales](#).

Añadir un Paso a una Secuencia Añadir un paso a una secuencia es insertarlo en medio de la secuencia. Para añadir un paso al final de una secuencia, siga las instrucciones en [Crear una Secuencia a Partir de Escenas Individuales](#). Las instrucciones generales para insertar un paso en medio de una secuencia son las siguientes:

1. Entre en el modo Programa.
2. Utilice los botones de secuencia para seleccionar la secuencia a la que se añadirá la escena.
3. Utilice los botones de banco para seleccionar el banco que contiene la escena que se va a añadir. En la pantalla LCD aparece el banco actual justo encima de la palabra Bank.
4. Pulse **<Tap Sync/Display>** para que la pantalla muestre los pasos de la escena seleccionada.
5. Utilice los botones de banco para seleccionar el paso o la secuencia después de la cual se insertará el nuevo paso. La pantalla LCD muestra el paso actual justo encima de la palabra Scene.
6. Pulse **<Midi/Add>** y luego el botón de escena de la escena que se guardará en el paso.
7. Repita los pasos 3–6 según sea necesario para otros pasos, o repita los pasos 2–6 según sea necesario para otras secuencias.
8. Salga del modo Programa.
9. Reinicie los deslizadores a 0 y desactive el blackout.

Las instrucciones específicas de abajo describen cómo añadir **<SCENES8>** del banco 12 a la **<Chase 5>** existente, e insertarla después de paso 4.

1. Entre en el modo Programa.
2. Pulse **<Chase 5>**.
3. Pulse **<Bank Up>** o **<Bank Down>** hasta que aparezca **12** en la pantalla LCD justo encima de la palabra Bank. La mesa está ahora en el banco 12.
4. Pulse **<Tap Sync/Display>**.
5. Pulse **<Bank Up>** o **<Bank Down>** hasta que aparezca **4** en la pantalla LCD justo encima de la palabra Bank. La mesa está ahora en el paso 4 de **<Chase 5>**.
6. Pulse **<MIDI/Add>**.
7. Pulse **<SCENES 8>**.
8. Pulse **<MIDI/Add>**. La pantalla LCD y los LED de botón de dispositivo parpadean para indicar un funcionamiento correcto.
9. Repita los pasos 3-8 según sea necesario para otros pasos, o repita los pasos 2-8 según sea necesario para otras secuencias.
10. Salga del modo Programa.
11. Reinicie todos los deslizadores de canal a 0.
12. Pulse **<Blackout>** para desactivar el blackout y permitir la transmisión DMX desde la mesa.

Borrar un Paso de una Secuencia

Borrar un paso de una secuencia es eliminar un paso de una secuencia, pero no elimina la escena guardada en el paso.



Borrar un paso de una secuencia no borra la escena del paso. La escena permanece y se puede guardar en otras secuencias, o reproducirse por sí misma. Vea [Borrar una Escena](#) para obtener información sobre cómo borrar una escena.

Las instrucciones generales para borrar un paso son las siguientes:

1. Entre en el modo Programa.
2. Utilice los botones de secuencia para seleccionar la secuencia de la que se borrará el paso.
3. Utilice los botones de banco para seleccionar el paso que va a borrar. En la pantalla LCD aparece el paso actual justo encima de la palabra Bank.
4. Pulse **<Auto/Del>** para borrar el paso.
5. Repita los pasos 3–4 para otros pasos, o repita los pasos 2-4 según sea necesario para otras secuencias.
6. Salga del modo Programa.
7. Reinicie los deslizadores a 0 y desactive el blackout.

Las instrucciones específicas de abajo describen cómo borrar el paso 5 de **<Chase 5>**.

1. Entre en el modo Programa.
2. Pulse **<Chase 5>**.
3. Pulse **<Tap Sync/Display>**.
4. Pulse **<Bank Up>** o **<Bank Down>** hasta que aparezca **5** en la pantalla LCD justo encima de la palabra Bank.
5. Pulse **<Auto/Del>**. La pantalla LCD y los LED de botón de dispositivo parpadean para indicar un funcionamiento correcto.
6. Repita los pasos 3-5 para otros pasos, o repita los pasos 2-5 según sea necesario para otras secuencias.
7. Salga del modo Programa.
8. Reinicie todos los deslizadores de canal a 0.
9. Pulse **<Blackout>** para desactivar el blackout y permitir la transmisión DMX desde la mesa.

Borrar una Secuencia

Borrar una secuencia es eliminar la secuencia completa, pero no las escenas guardadas en la secuencia. Las instrucciones generales para borrar una secuencia son las siguientes:

1. Entre en el modo Programa.
2. Utilice los botones de secuencia para seleccionar la secuencia que se borrará.
3. Pulse **<Auto/Del>** y el botón de secuencia simultáneamente.
4. Repita los pasos 2-3 según sea necesario para otras secuencias.
5. Salga del modo Programa.
6. Reinicie los deslizadores a 0 y desactive el blackout.

Las instrucciones específicas de abajo describen cómo borrar **<Chase 3>**.

1. Entre en el modo Programa.
2. Pulse **<CHASE 3>**.
3. Pulse **<Auto/Del>** y **<CHASE 3>** a la vez. La pantalla LCD y los LED de botón de dispositivo parpadean para indicar un funcionamiento correcto.
4. Repita los pasos 2-3 según sea necesario para otras secuencias.
5. Salga del modo Programa.

Borrar Todas las Secuencias

Borrar todas las secuencias elimina todas las secuencias programadas de la mesa, pero no elimina las escenas ni las personalizaciones. Para borrar todas las secuencias, haga lo siguiente:

1. Entre en el modo Programa.
2. Pulse **<Auto/Del>** y **<Bank Down>** a la vez.
3. Apague la mesa mientras sigue manteniendo pulsados **<Auto/Del>** y **<Bank Down>** a la vez.
4. Encienda la mesa.

5. REPRODUCCIÓN

Modo Reproducción Reproducción se usa para reproducir las escenas y secuencias guardadas. Es el modo que hay que usar cuando se desarrolla el espectáculo. En el modo de reproducción, las escenas y secuencias guardadas se lanzan para reproducirse. Existen 4 tipos de reproducción.

- Reproducción de escena: las escenas se pueden lanzar manualmente y automáticamente con el tempo configurado con los deslizadores **<Speed Time>** y **<Fade Time>**, el botón **<Tap Sync/Display>** o por la música.
- Reproducción de escena: las escenas se pueden lanzar automáticamente con el tempo configurado con los deslizadores **<Speed Time>** y **<Fade Time>**, el botón **<Tap Sync/Display>** o por la música.
- Reproducción en directo: la reproducción "al vuelo" es el control en vivo de las luces, idéntico a programar las luces, solo que los diseños no se guardan.
- Reproducción MIDI: la entrada MIDI de la mesa lanza la reproducción de la escena y la secuencia.

Es posible usar los cuatro modos de reproducción a la vez.

Reproducción de Escena La reproducción de escena lanza una escena o escenas concretas a reproducción. Una escena se puede lanzar manualmente pulsando un botón de escena, y permanecerá seleccionada hasta que otra escena se lance. Las escenas de un banco se pueden reproducir una detrás de otra con el tempo configurado con los deslizadores **<Speed Time>** y **<Fade Time>**, con el botón **<Tap Sync/Display>** o por la música.

En la pantalla LCD aparece la escena actual.



- **Las escenas se reproducen por orden numérico dentro de un banco.**
- **Solo se puede reproducir un banco al mismo tiempo.**
- **Solo las escenas programadas se reproducirán.**
- **Las escenas vacías se saltarán durante la reproducción.**

Reproducción Manual de Escena La reproducción manual de escena es lanzar una sola escena pulsando el botón de escena. Las instrucciones generales para la reproducción manual de escena son las siguientes:

1. Asegúrese de que el tipo de reproducción de Disparador automático o Disparador de música no está seleccionado.
2. Utilice los botones de banco para localizar el banco de la escena que se va a lanzar.
3. Pulse el botón de escena. Las luces ejecutarán la escena programada.

Las instrucciones específicas de más abajo describen cómo reproducir **<SCENES 2>** en el banco 2 y luego **<SCENES 8>** en el banco 4.

1. Asegúrese de que el tipo de reproducción de Disparador automático o Disparador de música no está seleccionado, mirando la pantalla LCD para ver si los indicadores de Disparador automático o Disparador de música están encendidos. Vea [Pantalla LCD](#) para más información.
2. Si el indicador de Disparador automático está encendido, pulse **<Auto/Del>**. El indicador se apagará.
3. Si el indicador de Disparador de música está encendido, pulse **<Music/Bank Copy>**. El indicador se apagará.
4. Pulse **<Bank Up>** o **<Bank Down>** hasta que aparezca **2** en la pantalla LCD justo encima de la palabra Bank.
5. Pulse **<SCENES2>**. Las luces ejecutarán **<SCENES 2>**.
6. Pulse **<Bank Up>** o **<Bank Down>** hasta que aparezca **4** en la pantalla LCD justo encima de la palabra Bank.
7. Pulse **<SCENES 8>**. Las luces ejecutarán **<SCENES 8>**.

Reproducción Automática de Escena

La Reproducción automática de escena es lanzar un banco entero de 8 escenas para que se reproduzcan en orden y en un bucle, es decir, las escenas 1, 2, 3, 4, 5, 6, 7, 8, 1, 2 y así sucesivamente, con la longitud de las escenas determinada por **<Speed Time>** y el tiempo de transición entre escenas determinado por **<Fade Time>**. Las instrucciones generales para la reproducción automática de escena son las siguientes:

1. Pulse **<Auto/Del>** para poner la mesa en el tipo de reproducción Disparador automático.
2. Utilice los botones de banco para seleccionar el banco de la escena que se va a reproducir.
3. Ajuste el tiempo de velocidad del bucle con **<Speed Time>**.
4. Ajuste el tiempo de transición entre escenas con **<Fade Time>**.

Las instrucciones específicas de más abajo describen cómo reproducir todas las escenas del banco 3 con un tiempo de velocidad de 8 segundos, y un tiempo de transición de 0. Haga lo siguiente:

1. Pulse **<Auto/Del>** y se encenderá el indicador de Disparador automático.
2. Mueva los deslizadores **<Speed Time>** y **<Fade Time>** hasta abajo del todo.
3. Pulse **<Bank Up>** o **<Bank Down>** hasta que aparezca **3** en la pantalla LCD justo encima de la palabra Bank. Las luces ejecutarán la escena 1 del banco 3 o la escena actualmente seleccionada en el banco 3.
4. Mueva el deslizador **<Speed Time>** hasta que en la pantalla LCD aparezca **8.00**. Las luces empezarán a moverse por las escenas del banco 3.



La mesa puede conmutar entre Auto, Sincronización al toque y Música en cualquier momento durante la reproducción. El botón que se pulse en último lugar determina el tipo de disparador que se usa para la reproducción.

Reproducción Automática de Escena Usando Sincronización al Toque

La Reproducción automática de escena usando Sincronización al toque es lanzar un banco entero de 8 escenas para que se reproduzcan en orden y en un bucle, es decir, las escenas 1, 2, 3, 4, 5, 6, 7, 8, 1, 2 y así sucesivamente, con la longitud de las escenas determinada por **<Speed Time>** y el tiempo de transición entre escenas determinado por **<Fade Time>**. Las instrucciones generales para la reproducción automática de escena usando sincronización al toque son las siguientes:

1. Asegúrese de que la mesa está en el tipo de reproducción Automático comprobando el indicador de Disparador automático.
2. Utilice los botones de banco para seleccionar el banco de la escena que se va a reproducir.
3. Pulse **<Tap Sync/Display>** por lo menos tres veces a la velocidad que desee.
4. Utilice **<Fade Time>** para configurar el tiempo de transición entre escenas.

Reproducción de Escena por Música

La Reproducción automática de escena es lanzar un banco entero de 8 escenas para que se reproduzcan en orden y en un bucle, es decir, las escenas 1, 2, 3, 4, 5, 6, 7, 8, 1, 2 y así sucesivamente, con la longitud de las escenas determinada por el tempo de la música y el tiempo de transición entre escenas determinado por **<Fade Time>**. Las instrucciones generales para la reproducción de escena por música son las siguientes:

Para reproducir todas las escenas del banco 3 con el tempo determinado por la música:

1. Pulse **<Music/Bank Copy>** para poner la mesa en modo Reproducción de música y el indicador Disparador de música se enciende.
2. Utilice los botones de banco para seleccionar el banco de la escena que se va a reproducir.
3. Utilice **<Fade Time>** para configurar el tiempo de transición entre escenas.

Reproducción de Secuencia

La reproducción de secuencia lanza una escena o escenas para su reproducción. Las secuencias se lanzan manualmente, pero hacen bucle por sus pasos automáticamente a un tempo determinado por el deslizador **<Speed Time>** o el botón **<Tap Sync/Display>**, o al ritmo de la música.

La pantalla LCD muestra la secuencia y escena actuales mientras la secuencia avanza en bucle por sus pasos.



- **Cuando se lanza más de una secuencia, la última secuencia pulsada es la primera en reproducirse. Luego las secuencias continúan por orden numérico.**
- **La LCD no muestra los números de paso de la secuencia, sino que muestra la secuencia y la escena del paso actual.**

Reproducción Automática de Secuencia

La reproducción automática de secuencia es lanzar una o más secuencias a reproducción con la longitud de los pasos determinada por **<Speed Time>** y el tiempo de transición entre escenas determinado por **<Fade Time>**. Las instrucciones generales para la reproducción automática de secuencia son las siguientes:

1. Utilice los botones de secuencia para seleccionar la secuencia que se reproducirá.
2. Pulse **<Auto/Del>**.
3. Ajuste el tiempo de velocidad del bucle con **<Speed Time>**.
4. Ajuste el tiempo de transición entre escenas con **<Fade Time>**.

Las instrucciones específicas de más abajo describen cómo lanzar **<Chase 1>** y **<Chase 2>** para reproducirse con un tiempo de velocidad de 10 segundos, y un tiempo de transición de 0. Haga lo siguiente:

1. Mueva los deslizadores **<Speed Time>** y **<Fade Time>** hasta abajo del todo.
2. Pulse **<Chase 1>**.
3. Pulse **<Chase 2>**.
4. Pulse **<Auto/Del>**.
5. Mueva el deslizador **<Speed Time>** hasta que en la pantalla LCD aparezca **10.00**. Las luces empezarán a moverse por las secuencias, empezando por los pasos en **<Chase 2>**.



La mesa puede conmutar entre Auto, Sincronización al toque y Música en cualquier momento durante la reproducción. El botón que se pulse en último lugar determina el tipo de disparador que se usa para la reproducción.

Reproducción Automática de Secuencia Usando Sincronización al Toque

La reproducción automática de secuencia usando sincronización al toque es lanzar una o más secuencias con la longitud de las escenas determinadas por **<Tap Sync/Display>** y el tiempo de transición entre escena y escena determinado por **<Fade Time>**. Las instrucciones generales para la reproducción automática de secuencia usando sincronización al toque son las siguientes:

1. Asegúrese de que la mesa está en el tipo de reproducción Automático comprobando el indicador de Disparador automático.
2. Utilice los botones de secuencia para seleccionar la secuencia que se reproducirá.
3. Pulse **<Tap Sync/Display>** por lo menos tres veces a la velocidad que desee.
4. Utilice **<Fade Time>** para configurar el tiempo de transición entre escenas.

Reproducción de Secuencia por Música

La reproducción de secuencia por música es lanzar una o más secuencias para su reproducción con la longitud de las escenas determinadas por el tempo de la música y el tiempo de transición entre escena y escena determinado por **<Fade Time>**. Las instrucciones generales para la reproducción de secuencia por música son las siguientes:

Para reproducir todas las escenas del banco 3 con el tempo determinado por la música:

1. Pulse **<Music/Bank Copy>** para poner la mesa en modo de reproducción de música. El indicador de Disparador de música se enciende.
2. Utilice los botones de secuencia para seleccionar la secuencia que se reproducirá.
3. Utilice **<Fade Time>** para configurar el tiempo de transición entre escenas.

Funcionamiento MIDI Se puede usar MIDI de una fuente externa para lanzar escenas y secuencias para su reproducción.

Conecte la fuente MIDI al Obey™ 40 D-Fi 2.4 con un cable MIDI de 5 pines y el Obey™ 40 D-Fi 2.4 responderá a la entrada MIDI.

La tabla de abajo muestra qué escenas y secuencias se pueden lanzar con una fuente MIDI externa.

Mapa MIDI

Nota MIDI	Función (cambia entre disparador apagado y encendido)
00–07	Escenas 1–8, Banco 1
08–15	Escenas 1–8, Banco 2
16–23	Escenas 1–8, Banco 3
24–31	Escenas 1–8, Banco 4
21–39	Escenas 1–8, Banco 5
40–47	Escenas 1–8, Banco 6
48–55	Escenas 1–8, Banco 7
56–63	Escenas 1–8, Banco 8
64–71	Escenas 1–8, Banco 9
72–79	Escenas 1–8, Banco 10
80–87	Escenas 1–8, Banco 11
88–95	Escenas 1–8, Banco 12
96–103	Escenas 1–8, Banco 13
104–111	Escenas 1–8, Banco 14
112–119	Escenas 1–8, Banco 15
120	Secuencia 1
121	Secuencia 2
122	Secuencia 3
123	Secuencia 4
124	Secuencia 5
125	Secuencia 6
126	Blackout

Control de Niebla

El Obey™ 40 D-Fi 2.4 tiene un botón dedicado para niebla que funcionará con máquinas de niebla CHAUVET® compatibles. Visite el sitio web de Chauvet para ver las máquinas de niebla disponibles: www.chauvetlighting.com.

Para manejar una o más máquinas de niebla, haga lo siguiente:

1. Conecte las máquinas de niebla al puerto de salida de control de niebla del panel posterior.

Nota: Consulte el Manual de Usuario de la máquina de niebla para ver información sobre cómo enlazar más de una máquina de niebla.

2. Encienda la(s) máquina(s) de niebla.
3. Espere al que se encienda el LED Fog.
4. Pulse <Fog> para generar niebla.



El LED Fog indica que la máquina de niebla está a la temperatura máxima y lista para generar niebla. Cuando el LED no está encendido, la máquina niebla podría aún generar niebla, pero no para su tiempo máximo.

Control de Estroboscopio

El Obey™ 40 D-Fi 2.4 tiene un botón dedicado para estroboscopio que funcionará con estroboscopios CHAUVET® compatibles. Visite el sitio web de Chauvet para ver los estroboscopios disponibles: www.chauvetlighting.com.

Para manejar uno o más estroboscopios, haga lo siguiente:

1. Conecte el estroboscopio o estroboscopios al puerto de salida de control de estroboscopio del panel posterior del Obey™ 40 D-Fi 2.4.

Nota: Consulte el Manual de Usuario del estroboscopio para ver información sobre cómo enlazar más de un estroboscopio.

2. Encienda el estroboscopio o estroboscopios.
3. Pulse <Strobe> para arrancar el estroboscopio.

Nota: El botón <Strobe> es un botón momentáneo. La luz lanzará destellos mientras el botón se mantenga pulsado. Cuando no se pulse, el estroboscopio queda sin luz.



El indicador LED para el botón de estroboscopio parpadeará a la misma frecuencia que el estroboscopio.

6. INFORMACIÓN TÉCNICA

Mantenimiento

Para mantener un rendimiento óptimo y minimizar el desgaste, los dispositivos han de limpiarse con frecuencia. El uso y el entorno pueden influir para determinar la frecuencia. Como norma general, los dispositivos deben limpiarse al menos dos veces al mes. El polvo acumulado reduce el rendimiento de la salida de luz y puede provocar sobrecalentamiento. Esto puede conducir a una reducción de la vida de la lámpara e incrementar el desgaste mecánico. Asegúrese de apagar el aparato antes de llevar a cabo el mantenimiento.

1. Desenchufe el producto de la alimentación.
2. Use un aspirador o compresor de aire y un cepillo suave para quitar el polvo depositado en los orificios de aireación.
3. Limpie todas las lentes cuando el dispositivo esté a temperatura ambiente con una solución suave de limpiacristales o alcohol isopropílico y un paño suave del algodón que no deje pelusa o un paño de gafas.
4. Aplique la solución en el paño o gamuza y arrastre el polvo y la suciedad a la parte externa de la lente.
5. Con cuidado, frote las superficies ópticas hasta que no quede turbiedad ni pelusas.



Seque siempre las piezas cuidadosamente después de limpiarlas .

Especificaciones Técnicas

PESO Y DIMENSIONES

Longitud	19 in (483 mm)
Ancho	3,5 in (89 mm)
Alto	6,7 in (171 mm)
Peso	5,7 lb (2,6 kg)

ALIMENTACIÓN

Tensión de entrada	9 VCC, 500 mA
Fuente de alimentación externa	100–240 VCA, 50/60 Hz

INTERIOR/EXTERIOR

Clasificación	Solo para uso en interior
---------------	---------------------------

TÉRMICA

Temperatura ambiente máxima	104 °F (40 °C)
-----------------------------	----------------

CONTROL Y PROGRAMACIÓN

Salida de datos	XLR 3 pines
Configuración pin datos	pin 1 pantalla , pin 2 (-), pin 3 (+)
Total canales control DMX	192

INFORMACIÓN DE PEDIDOS

Obey™ 40 D-Fi™ 2.4	OBHEY40DFI2.4
Código de artículo	09080697

WIRELESS

Frecuencia de funcionamiento	2,433 a 2,48 GHz
------------------------------	------------------

INFORMACIÓN DE GARANTÍA

Garantía	Garantía limitada de 2 años
----------	-----------------------------



DEVOLUCIONES

En caso de que necesite asistencia o devolver un producto:

- Si se encuentra en EE. UU., póngase en contacto con la Oficina Central de Chauvet.
- Si se encuentra en el Reino Unido o Irlanda, póngase en contacto con Chauvet Europe Ltd.
- Si se encuentra en México, póngase en contacto con Chauvet Mexico.
- Si se encuentra en Bénélux, póngase en contacto con Chauvet Europe BVBA.
- Si se encuentra en cualquier otro país, NO contacte con Chauvet. Contacte con su distribuidor local. Vea www.chauvetlighting.com para distribuidores fuera de EE.UU., Reino Unido, Irlanda, México o Bénélux.



Si se encuentra fuera de los EE.UU., Reino Unido, Irlanda, México o Bénélux, póngase en contacto con su distribuidor de registro y siga sus instrucciones sobre cómo devolverle a ellos los productos Chauvet. Visite www.chauvetlighting.com para detalles de contacto.

Llame a la oficina de Asistencia Técnica Chauvet correspondiente y pida un número de Autorización de Devolución de la mercancía (RMA) antes de enviar el producto. Esté preparado para proporcionar el número de modelo, número de serie y una breve descripción de la causa de la devolución.

Envíe la mercancía a portes pagados, en su caja original y con su embalaje y accesorios originales. Chauvet no expedirá etiquetas de devolución.

Etiquete el paquete claramente con el número de RMA. Chauvet rechazará cualquier producto devuelto sin un número de RMA.



Escriba el número de RMA en una etiqueta convenientemente adherida. NO escriba el número de RMA directamente sobre la caja.

Antes de enviar el producto, escriba claramente la siguiente información en una hoja de papel y colóquela dentro de la caja:

- Su nombre
- Su dirección
- Su número de teléfono
- Número de RMA
- Una breve descripción del problema

Asegúrese de que empaqueta el producto adecuadamente. Cualquier daño en el transporte que resulte de un empaquetado inadecuado será responsabilidad suya. Se recomienda empaquetado FedEx o de doble caja.



Chauvet se reserva el derecho de usar su propio criterio para reparar o reemplazar productos devueltos.

CONTACTO

OFICINA CENTRAL - Chauvet

Información General

Dirección: 5200 NW 108th Avenue
Sunrise, FL 33351
Voz: (954) 577-4455
Fax: (954) 929-5560
Número Gratuito: (800) 762-1084

Servicio Técnico

Voz: (954) 577-4455 (Marque 4)
Fax: (954) 756-8015
Email: tech@chauvetlighting.com

World Wide Web www.chauvetlighting.com

REINO UNIDO E IRLANDA - Chauvet Europe Ltd.

Información General

Dirección: Unit 1C
Brookhill Road Industrial Estate
Pinxton, Nottingham, UK
NG16 6NT
Voz: +44 (0)1773 511115
Fax: +44 (0)1773 511110

Servicio Técnico

Email: uktech@chauvetlighting.com

World Wide Web www.chauvetlighting.com

MÉXICO - Chauvet Mexico

Información General

Dirección: Av. Santa Ana 30
Parque Industrial Lerma
Lerma, Mexico C.P. 52000
Voz: +52 (728) 285-5000

Servicio Técnico

Email: servicio@chauvet.com.mx

World Wide Web www.chauvet.com.mx

CHAUVET EUROPE - Chauvet Europe BVBA

Información General

Dirección: Stokstraat 18
9770 Kruishoutem
Belgium
Voz: +32 9 388 93 97

Servicio Técnico

Email: Eutech@chauvetlighting.eu

World Wide Web www.chauvetlighting.eu

Fuera de EE.UU., Reino Unido, Irlanda, México, o Bénélux póngase en contacto con su **proveedor**. Siga sus instrucciones para pedir soporte o para devolver un producto. Visite www.chauvetlighting.com para detalles de contacto.

1. AVANT DE COMMENCER

- Contenu**
- Obey™ 40 D-Fi 2.4
 - Une Alimentation Externe
 - Une Fiche de Garantie
 - Un Manuel d'Utilisation

Instructions de Déballage Déballer avec précaution l'Obey™ 40 D-Fi 2.4 et vérifiez que tous les éléments se trouvent dans l'emballage et ne présentent aucun dommage.

Réclamations Si l'emballage ou le contenu semblent avoir été endommagés pendant le transport, gardez tous les matériaux d'emballage et veuillez envoyer une réclamation immédiatement au transporteur. Si les dommages ne sont pas signalés au transporteur immédiatement, ou si l'emballage n'est pas conservé, la réclamation peut être invalidée.

Pour tout autre problème comme la non-livraison de pièces ou composants, des dommages non en rapport avec la livraison ou des vices cachés, veuillez déposer votre réclamation auprès de Chauvet dans les 7 jours suivant la livraison. Voir [Nous Contacter](#).



Réinitialisez l'Obey™ 40 D-Fi 2.4 avant toute utilisation. Pour plus d'informations, consultez la section [Réinitialisation de la Console](#).

Conventions

Convention	Signification
1—512	Une plage de valeurs
50/60	Un ensemble de valeurs
Page A	Un voyant lumineux sur la console
15	Information affichée sur l'écran LCD
Settings	Une option de menu
Menu > Settings	Une séquence d'options de menu
<Enter>	Un bouton

Symboles

Convention	Signification
	Information critique. L'ignorer peut entraîner des dysfonctionnements, endommager l'appareil ou blesser l'opérateur.
	Information importante. L'ignorer peut provoquer un dysfonctionnement de l'appareil.
	Information utile.

Clause de non Responsabilité

Les informations et caractéristiques contenues dans ce manuel d'utilisation sont sujettes à changement sans préavis. Chauvet ne pourra être tenu responsable pour toute erreur ou omission et se réserve le droit de revoir ou réécrire ce manuel à tout moment. La dernière version de ce manuel peut être téléchargée à l'emplacement <http://www.chauvetlighting.com/product-manuals-literature/>.

© Copyright 2015 Chauvet. Tous droits réservés.

Imprimé en Chine.

Publié électroniquement par Chauvet aux États-Unis.

Auteur	Date	Éditeur	Date
R. Isenstadt	25/03/15	A. Leon	07/04/15

Bref Descriptif de l'Unité	Utilisation sur Variateur	X	Programme Automatique	X
	Utilisation à l'Extérieur	X	Alimentation Universelle	P
	Activé par le Son	P	Fusible Remplaçable	X
	DMX	P	Maintenance par l'Utilisateur	X
	Maître/Esclave	X		

Consignes de Sécurité Ces consignes reprennent d'importantes informations en matière d'installation, d'utilisation et de maintenance de l'appareil. Lisez-les avant d'utiliser le produit.



- Toujours connecter le produit à un circuit à la terre pour éviter les risques d'électrocution.
- Veillez à ce que le cordon d'alimentation ne soit jamais pincé ou endommagé.
- Toujours débrancher l'appareil de la source d'alimentation avant de le nettoyer ou de remplacer le fusible.
- Ne débranchez jamais cet appareil en tirant sur le cordon d'alimentation.
- En cas de montage de l'appareil en hauteur, veillez à toujours le fixer à l'aide d'un câble de sécurité.
- Veillez à ce qu'il ne se trouve jamais à proximité d'aucun matériel inflammable lorsqu'il est en fonctionnement.



- Cet appareil doit uniquement être utilisé en intérieur. Il répond aux exigences de la norme IP 20.
- N'exposez l'unité ni à la pluie, ni à l'humidité.
- Assurez-vous que la tension de la source d'énergie utilisée pour l'appareil est dans la fourchette indiquée sur l'étiquette ou sur le panneau arrière de l'appareil.
- Ne connectez jamais l'appareil à un variateur ou un rhéostat.
- Installez toujours cet appareil dans un endroit bien ventilé à au moins 50 cm (20 po) des surfaces adjacentes.
- Assurez-vous qu'aucune fente de ventilation sur le boîtier n'est obstruée.
- Ne faites pas fonctionner l'appareil à une température ambiante de plus de 40 °C (104 °F).
- Toujours transporter l'appareil par ses côtés de montage.
- En cas de sérieux problèmes de fonctionnement, arrêtez l'appareil immédiatement.
- N'essayez jamais de réparer l'appareil vous-même. Toute réparation effectuée par des personnes non agréées pourrait occasionner des dommages ou des défaillances.
- Pour tous vos besoins de réparation, contactez le centre d'assistance technique agréé le plus proche de chez vous. Voir [Nous Contacter](#) pour plus d'informations.
- Durant les périodes de non-utilisation, pour éviter toute usure inutile et pour prolonger la durée de vie, déconnectez-entièrement l'appareil en le débranchant de l'alimentation électrique ou en coupant le disjoncteur.



Veillez conserver ce manuel d'utilisation pour vous y référer ultérieurement. Si vous étiez amené à vendre cet appareil à un autre utilisateur, veillez à leur remettre également ce manuel.

2. INTRODUCTION

- Caractéristiques**
- Transmetteur D-Fi™ intégré
 - Fonctionne sans fil avec tous les appareils compatibles D-Fi™.
 - Sortie DMX
 - Commande jusqu'à 12 types de projecteurs comprenant jusqu'à 16 canaux chacun.
 - Contrôle plusieurs projecteurs simultanément.
 - Peut mémoriser et jouer 240 scènes dans 30 banques de 8 scènes chacune.
 - Peut mémoriser et jouer 6 chenillards de 240 pas chacun.
 - Accepte les personnalisations de potentiomètres.
 - Peut jouer plusieurs chenillards en ordre séquentiel.
 - Permet de contrôler les projecteurs "à la volée" en mode Lecture.
 - Déclenchement des chenillards et des scènes avec la musique, via tap sync ou en démarrage automatique.
 - Accepte les entrées MIDI pour le déclenchement des scènes et des chenillards.
 - Contrôle des machines à brouillard et des stroboscopes avec des boutons dédiés.

Description de l'Appareil

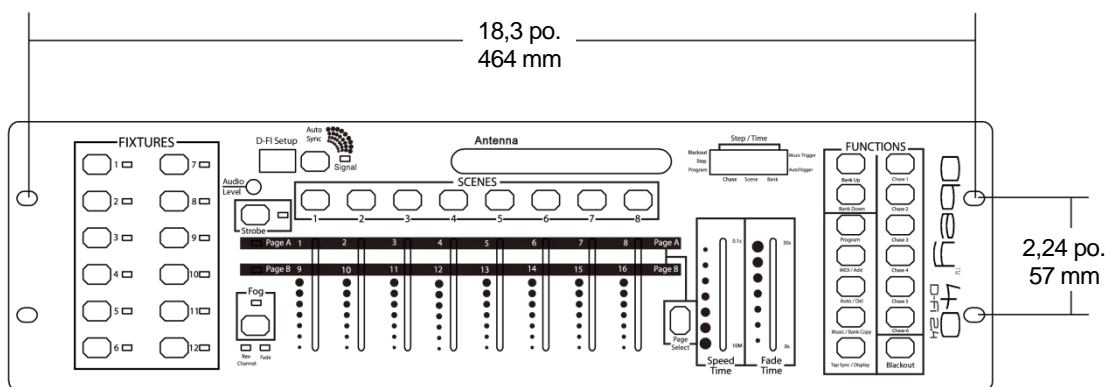
L'Obey™ 40 D-Fi 2.4 (la console) est un puissant contrôleur de faible encombrement avec un transmetteur D-Fi™ intégré qui lui permet de contrôler tous les appareils compatibles D-Fi™.

Il dispose de plusieurs modes de lecture et peut contrôler jusqu'à 192 canaux DMX regroupés en 12 groupes et qui peuvent être accédés à l'aide des boutons <FIXTURES>. Chaque bouton <FIXTURES> est relié à 16 canaux DMX prédéterminés. Ces 16 canaux sont divisés en 2 groupes, accessibles avec le bouton <Page Select>. Cela permet à 8 potentiomètres physiques de commander 16 canaux.

Installation

L'Obey™ 40 D-Fi 2.4 possède des ouvertures pour le montage en rack dans un rack standard de 19 pouces. Il est également équipé de pieds en caoutchouc qui lui permet d'être placé sur une table. La console D-Fi™ doit être placée à une distance maximale de 91,44 m (300 pieds) des appareils D-Fi™ et sans qu'il n'y ait d'obstacles entravant la connexion, tels que des murs de béton ou de larges structures solides métalliques.

Dimensions de Montage



Principe de Fonctionnement Sans Fil D-Fi™

L'Obey™ 40 D-Fi 2.4 utilise une fréquence sans fil pour envoyer des signaux DMX aux appareils compatibles D-Fi™, ce qui rend obsolète l'utilisation de longs câbles DMX. La console D-Fi™ doit être située à une distance maximale de 91,44 m (300 pieds) des appareils D-Fi™ et sans qu'il n'y ait d'obstacles entravant la connexion, tels que des murs de béton ou de larges structures solides métalliques. Au cas où certains des appareils sont situés au delà de 91,44 m, un répartiteur D-Fi™, tel que le D-Fi Hub ou le D-Fi™ Stream 6 de CHAUVET®, peut être relié aux projecteurs à l'aide de câbles DMX. Le répartiteur D-Fi™ reçoit les signaux DMX sans fil via le système D-Fi™ et les envoie aux projecteurs à travers les câbles DMX.

Principes de Programmation

L'Obey™ 40 D-Fi 2.4 utilise un adressage DMX et des valeurs pour contrôler les appareils. Voir [Adressage DMX](#) et [Tableau d'Adressage DMX](#) pour plus d'informations.

Les ambiances sont créées en utilisant les potentiomètres pour envoyer des valeurs DMX aux appareils. Les ambiances sont enregistrées dans les scènes et les scènes sont sauvegardées en tant que pas d'un chenillard. Les scènes et les chenillard sont joués à des vitesses différentes et avec différents types de déclencheurs.

- Les ambiances sont créées en mode programmation. Les appareils sont sélectionnés avec les boutons d'unités. Les potentiomètres sont déplacés pour contrôler les appareils et créer des ambiances. Puis les ambiances sont sauvegardées dans des scènes en utilisant les boutons de scènes et les scènes sont sauvegardées dans des chenillards en utilisant les boutons de chenillards.
Voir [4. Programmation](#) pour plus d'informations.
- Les scènes et les chenillards sont joués en mode lecture. Les scènes sont déclenchées avec les boutons des scènes et les chenillards sont déclenchés avec les boutons des chenillards. La cadence de lecture est définie avec les potentiomètres de vitesse et de temps, la fonction tap-sync ou par l'entrée MIDI. Voir [5. Lecture](#) pour plus d'informations.



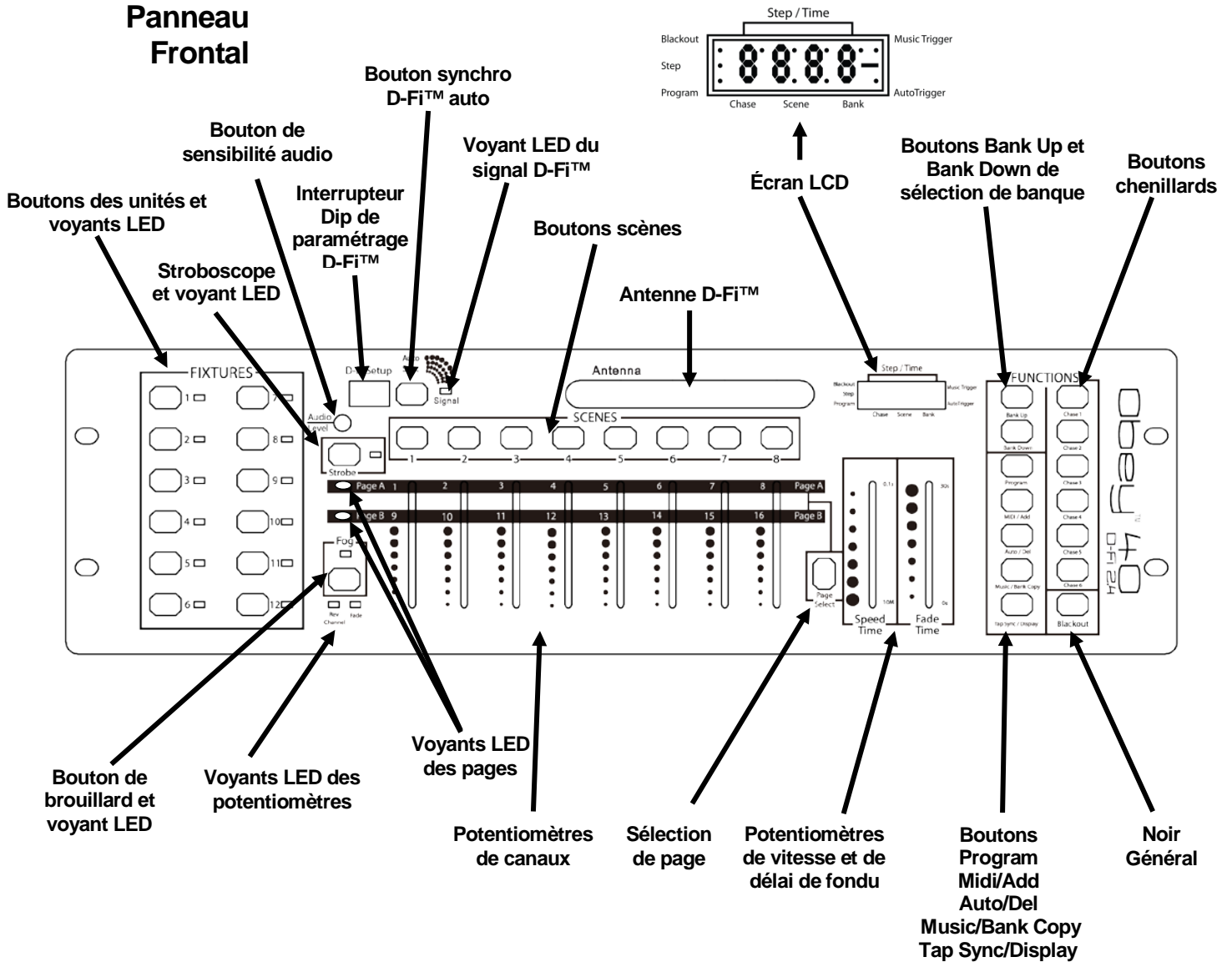
Les ambiances peuvent être créées en mode lecture, mais elles ne peuvent pas être sauvegardées.

Vue d'Ensemble des Panneaux

L'Obey™ 40 D-Fi 2.4 dispose de boutons <FIXTURES> sur la gauche, de potentiomètres DMX et de boutons <SCENES> au centre ainsi que des contrôles de lecture sur la droite.

Les ports et le raccordement électrique sont quant à eux situés sur le panneau arrière de la console D-Fi™. Pour plus d'informations sur le panneau arrière, consultez la section [Vue du Panneau Arrière](#).

Vue du Panneau Frontal



Commandes du Panneau Avant

Les commandes du panneau avant donnent l'accès à toutes les fonctionnalités D-Fi™ et aux commandes de programmation et de lecture de la console. Les interrupteurs DIP sont utilisés pour la configuration D-Fi™ et le voyant du signal D-Fi™ affiche des informations sur le signal D-Fi™. Pour plus d'informations, veuillez consulter la section [Configuration D-Fi™](#).

L'écran LED et les voyants LED fournissent des informations sur les sélections et les commandes de programmation en cours.

- L'écran LED affiche des types d'informations différents en mode programmation ou en mode lecture.
- Les voyants LED des boutons d'unités indiquent lorsque les boutons **<FIXTURES>** et les projecteurs correspondants sont sélectionnés.
- Le voyant LED "strobe" du stroboscope indique l'état allumé du stroboscope et sa fréquence de fonctionnement.
- Le voyant LED du signal D-Fi™ indique l'état des communications D-Fi™.
- Les voyants LED des pages indiquent quelle page de potentiomètre est active.
- Les voyants LED "fader" des potentiomètres indiquent les potentiomètres qui ont reçu une affectation personnalisée.
- Le voyant LED "fog" indique que la machine à brouillard est à la bonne température pour générer du brouillard.

Description des Commandes

Bouton ou Potentiomètre	Description
<FIXTURES 1> <FIXTURES 12>	Boutons qui sélectionnent les projecteurs à contrôler et qui définissent les adresses DMX par défaut des potentiomètres des canaux. Les voyants LED correspondants indiquent quand un projecteur est sélectionné. Remarque : Ces boutons sont inclusifs. Si l'un est appuyé, puis un autre ensuite, les deux projecteurs sont sélectionnés. Pour désélectionner un projecteur, appuyez à nouveau dessus et assurez-vous que le voyant est éteint.
<Strobe>	Bouton qui contrôle un ou plusieurs stroboscopes. Son voyant LED indique que le stroboscope est allumé et clignote à la même fréquence que ce dernier fonctionne.
Bouton de Sensibilité Audio	Bouton qui ajuste la sensibilité de la console aux sons et à la musique.
Interrupteur DIP de Paramétrage D-Fi™	Interrupteurs DIP qui permettent de sélectionner parmi les canaux et les modes D-Fi™.
<D-Fi™ Auto Sync>	Bouton qui permet de synchroniser l'Obey™ 40 D-Fi 2.4 avec d'autres appareils compatibles D-Fi™.
Voyant LED du signal D-Fi™	Voyant LED qui indique l'état du signal D-Fi™.
<SCENES 1> <SCENES 8>	Boutons qui sélectionnent une scène vers laquelle effectuer une sauvegarde, ou à partir de laquelle effectuer une lecture. Ils sont utilisés en conjonction avec les boutons <Bank Up> et <Bank Down> .
Antenne D-Fi™	Antenne qui transmet le signal D-Fi™.

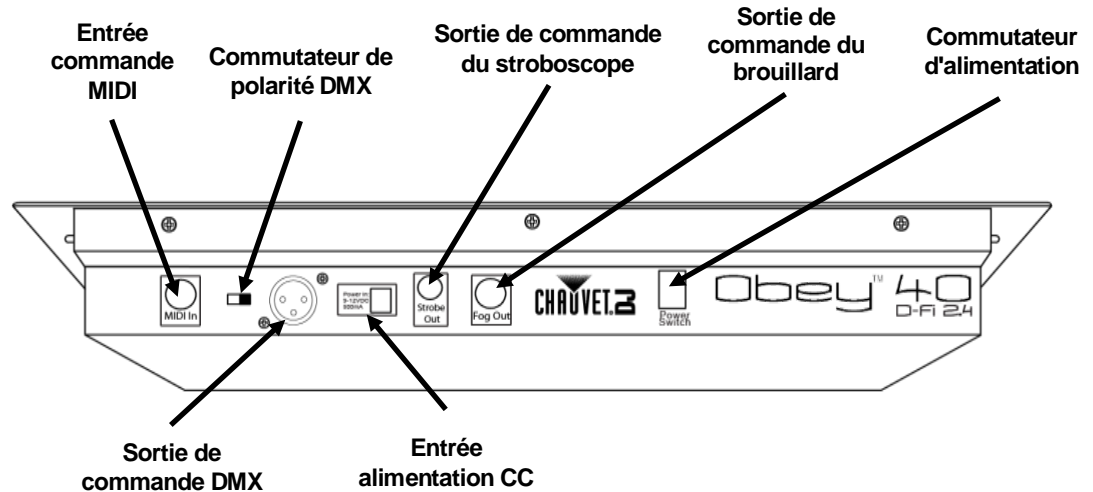
Description des Commandes

Bouton ou Potentiomètre	Description
Écran LCD	<p>Écran qui affiche différents types d'informations sur les sélections actuelles et si l'appareil est en mode Programme ou Lecture :</p> <ul style="list-style-type: none"> • Step/Time (Pas/Temps) - affiche le chenillard et la scène courants, sauf lorsque les potentiomètres sont déplacés. Dans ce cas, il affiche la valeur du potentiomètre déplacé. • Blackout (Noir général) - indique que le noir général est activé et que la console n'envoie plus de signaux DMX. • Step (Pas) - affiche la scène courante du pas courant du chenillard courant en mode Lecture ou affiche que la console ajoute des pas à un chenillard en mode Programmation. • Program (Programme) - indique que la console est en mode Programmation. • Music Trigger (Déclenchement par musique) - indique que la console est en mode déclenchement par musique. • Auto Trigger (Déclenchement automatique) - indique que la console est en mode de déclenchement automatique. • Chase (Chenillard) - affiche le chenillard courant en mode Lecture ou Programmation. • Scene (Scène) - affiche la scène courante en mode Lecture ou Programmation. • Bank (Banque) - affiche la banque courante en mode Lecture ou Programme.
<Bank Up>	Bouton qui se permet de se déplacer vers le haut parmi les banques de scènes, ou parmi les étapes d'un chenillard.
<Bank Down>	Bouton qui se permet de se déplacer vers le bas parmi les banques de scènes, ou parmi les étapes d'un chenillard.
<Chase 1> <Chase 6>	Boutons qui sélectionnent un chenillard vers lequel effectuer une sauvegarde, ou à partir duquel effectuer une lecture.
<Fog>	Bouton qui contrôle une ou plusieurs machines à brouillard et son voyant LED qui indique quand la machine à brouillard est à la bonne température de fonctionnement.
Voyants LED des Potentiomètres	Voyants LED qui indiquent que les potentiomètres de la sélection d'unités courante a une affectation (Fade) ou une inversion (Rev Channel) personnalisée.
Voyants LED des Pages	Voyants LED qui indiquent quelle page de potentiomètres est active.
<Channel 1> <Channel 16>	Potentiomètres des canaux qui envoient des valeurs DMX aux appareils. Utilisé en conjonction avec <FIXTURES 1> - <FIXTURES 12>.
<Page Select>	Bouton qui permet de basculer entre les pages de potentiomètre A et B.
<Speed Time>	<p>Potentiomètre qui ajuste la vitesse à laquelle l'ensemble du chenillard incluant tous les pas va être lu.</p> <p>La vitesse de lecture va de 10 minutes à 0,1 seconde. L'écran LCD indique les temps de vitesse en minutes et en secondes lorsque le potentiomètre se déplace, mais revient à l'affichage du chenillard, de la scène et de la banque courants après que le potentiomètre se soit arrêté.</p> <p>L'écran affiche les temps pour le potentiomètre comme suit :</p> <ul style="list-style-type: none"> • XX'XX - avec le point en haut, affiche les minutes et les secondes. • XX:XX - avec le point en bas, affiche les secondes et les dixièmes de secondes. <p>Ce potentiomètre est également utilisé pour régler, sélectionner et paramétrer les options en mode Programme.</p>

Description des Commandes

Bouton ou Potentiomètre	Description
<Fade Time>	<p>Potentiomètre qui ajuste le temps de fondu en lecture, cad le temps du changement entre chaque pas du chenillard.</p> <p>La vitesse de lecture va de 0 seconde à 30 secondes. L'écran LCD indique les temps de fondus en seconde lorsque le potentiomètre se déplace, mais revient à l'affichage du chenillard, de la scène et de la banque courants après que le potentiomètre se soit arrêté.</p> <p>L'écran affiche les temps pour le potentiomètre comme suit :</p> <ul style="list-style-type: none"> · XX:XX - avec le point en bas, affiche les secondes et les dixièmes de secondes. <p>Ce potentiomètre est également utilisé pour régler, sélectionner et paramétrer les options en mode Programmation.</p>
<Program>	Bouton qui permet de basculer la console en mode Programmation ou d'en sortir.
<Midi/Add>	Bouton qui ajoute des scènes et des pas en mode Programmation et qui permet de sélectionner un canal MIDI en mode MIDI.
<Auto/Del>	Bouton qui sélectionne le mode de Lecture automatique dans lequel la cadence de lecture est contrôlée par les potentiomètres <Speed Time> et <Fade Time>. Ce bouton est utilisé pour supprimer des chenillards et des scènes en mode Programmation.
<Music/Bank Copy>	Bouton qui sélectionne le déclenchement par musique dans lequel la cadence de lecture est contrôlée par la musique. Ce bouton permet également de copier une banque entière de scènes en mode Programmation.
<Tap Sync/Display>	Bouton qui active le déclenchement par fonction "tap sync" dans lequel la lecture est commandée par un appui sur le bouton. Ce bouton est également utilisé pour diverses fonctions de programmation.
<Blackout>	Bouton à bascule qui stoppe toute transmission DMX. Fait s'éteindre tous les projecteurs. Arrête le stroboscope et le brouillard. Lorsque le noir général est activé, l'écran LCD affiche un indicateur.

Vue du Panneau Arrière

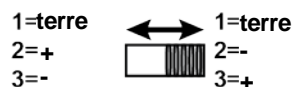


Ports du Panneau Arrière

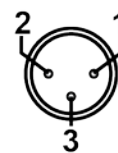
Port	Fonction
Entrée Commande MIDI	Port MIDI 5 broches pour la connexion à un clavier MIDI
Commutateur de Polarité DMX	Interrupteur à bascule pour changer la polarité DMX. Voir les Spécificités Techniques pour la configuration des broches de données. Remarque : Certains appareils ont une polarité inversée. Consultez le manuel de l'utilisateur de chaque appareil pour des informations spécifiques.
Sortie de Commande du Stroboscope	Port mono ¼ de pouce pour se connecter à un ou plusieurs stroboscopes connectés en guirlande.
Sortie de Commande du Brouillard	Port DIM 5 broches pour la connexion à une ou plusieurs machines à brouillard.
Interrupteur Marche/Arrêt	Interrupteur à bascule qui permet d'allumer et d'éteindre l'Obey™ 40 D-Fi 2.4.
Sortie de Commande DMX	Port DMX 3 broches pour la connexion aux appareils.
Entrée Alimentation CC	Port d'alimentation externe pour se connecter à une source d'alimentation.

Polarité DMX

Commutateur de Polarité DMX



Sortie DMX



Tous les projecteurs Chauvet utilisent une broche négative 2 et une broche positive 3. Le commutateur de polarité doit donc être positionné comme montré ci-dessus dans la [Vue du Panneau Arrière](#) (à côté du port de sortie de contrôle DMX). Les appareils d'autres fabricants peuvent être différents. Consultez le manuel de l'utilisateur de chaque appareil pour des informations spécifiques.



Pour plus d'informations sur le DMX, téléchargez l'introduction au DMX sur www.chauvetlighting.com.

3. CONFIGURATION

Alimentation CA L'Obey™ 40 D-Fi 2.4 est doté d'une alimentation universelle externe qui peut prendre en charge toute tension d'entrée comprise entre 100 et 240 VCA, 50/60 Hz. Il fonctionne avec un courant de 9 Vcc en 500 mA.

Avant de mettre l'unité sous tension, assurez-vous que la tension de ligne est comprise dans la plage des tensions reprise sur l'étiquette apposée sur l'appareil ou comme décrit dans ce document à la section [Spécificités Techniques](#).

Le régime nominal affiché indique la consommation de courant dans des conditions normales d'utilisation.



Durant les périodes de non-utilisation, pour éviter toute usure inutile et pour prolonger la durée de vie, déconnectez-entièrement l'appareil en le débranchant de l'alimentation électrique ou en coupant le disjoncteur.



- **Connectez toujours la console à un circuit relié à la terre.**
- **Ne connectez jamais la console à un circuit rhéostat ou variateur.**

Installation

L'Obey™ 40 D-Fi 2.4 peut être installé dans n'importe quelle position, mais assurez-vous que la ventilation soit suffisante autour de l'appareil.

Configuration de la Console

Avant toute utilisation, la console D-Fi™ doit être paramétrée pour l'utilisation sans fil D-Fi™, ou être reliée aux appareils avec des câbles DMX. Les appareils doivent également être configurés pour l'utilisation sans fil D-Fi™, ou reliés avec des câbles DMX. Les appareils doivent également être paramétrés sur les bonnes adresses DMX.

Les sections qui suivent décrivent le [Configuration D-Fi™](#), le [Câblage DMX](#) et [Adressage DMX](#).



Réinitialisez l'Obey™ 40 D-Fi 2.4 avant la première utilisation. Pour plus d'informations, consultez la section [Réinitialisation de la Console](#).

Configuration D-Fi™

La configuration D-Fi™ s'effectue avec les interrupteurs DIP situés sur le panneau avant, au-dessus du bouton de réglage de sensibilité au son. Le canal D-Fi™ peut être soit sélectionné manuellement ou automatiquement. L'Obey™ 40 D-Fi 2.4 peut transmettre ou recevoir des signaux D-Fi™.



- **La majorité des utilisations du Obey™ 40 D-Fi 2.4 nécessite une configuration en transmission D-Fi™.**
- **Le seul cas d'utilisation du Obey™ 40 D-Fi 2.4 en mode réception D-Fi™ est lorsqu'un autre système en prends le contrôle.**
- **Lorsque l'Obey™ 40 D-Fi 2.4 est configuré pour recevoir des signaux D-Fi™, il ne peut pas transmettre de signaux D-Fi™ et doit être relié aux projecteurs avec des câbles DMX.**

Remarques sur la Configuration

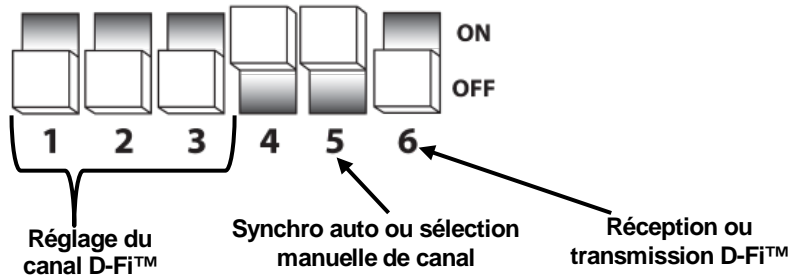
La configuration en transmission D-Fi™ nécessite les prérequis suivants :

- L'Obey™ 40 D-Fi 2.4 doit être configuré en mode transmission.
- Les appareils sont compatibles D-Fi™ et configurés en mode réception.
- L'Obey™ 40 D-Fi 2.4 et les appareils sont tous configurés soit en synchronisation automatique (Auto-Sync) ou paramétrés sur le même canal avec la sélection manuelle de canal.
- L'Obey™ 40 D-Fi 2.4 est à une distance maximale de 91,44 m (300 pieds) des projecteurs D-Fi™.
- Aucun large objet solide, par exemple des murs, de gros blocs de bétons ou des structures métalliques solides, ne se trouve entre l'Obey™ 40 D-Fi 2.4 et les projecteurs.



Le mode de sélection manuelle est recommandé, mais chacun des deux modes convient.

Interrupteurs DIP Les 6 interrupteurs DIP qui permettent de configurer le signal D-Fi™ sur la console D-Fi™ sont affichés ci-dessous :



- Les interrupteurs DIP 1 à 4 permettent de régler le canal D-Fi™, mais l'interrupteur DIP 5 doit être sur la position ON pour que les interrupteurs 1 à 4 puissent faire effet.
- L'interrupteur DIP 5 permet de passer de l'un à l'autre des modes de sélection de canal D-Fi™ : Auto-Sync (OFF) et manuel (ON).
- L'interrupteur DIP 6 permet de passer du mode de transmission D-Fi™ (ON) au mode de réception D-Fi™ (OFF).

Pour une liste des combinaisons d'interrupteurs DIP, consultez la section [Paramétrage des Interrupteurs DIP](#) dans ce manuel ou consultez le tableau des paramètres DIP affiché sur la base du Obey™ 40 D-Fi 2.4.

Paramétrage des Interrupteurs DIP

	Canal D-Fi™	Synchro auto ou réglage manuel	Transmission ou réception	Canal D-Fi™	Synchro auto ou réglage manuel	Transmission ou réception
Channel 1				Channel 11		
Channel 2				Channel 12		
Channel 3				Channel 13		
Channel 4				Channel 14		
Channel 5				Channel 15		
Channel 6				Channel 16		
Channel 7				Auto-Sync mode		
Channel 8				Transmit mode		
Channel 9				Receive mode		
Channel 10						

Utilisation de la Sélection Manuelle de Canal

Il est recommandé d'utiliser la sélection manuelle de canal. Cela permet d'indiquer à la console D-Fi™ quel canal utiliser pour la transmission D-Fi™. Pour utiliser la sélection manuelle de canal lors de la configuration D-Fi™, effectuez les actions suivantes :

1. Allumez tous les autres appareils D-Fi™ et paramétrez-les sur le même canal. Consultez le manuel de l'utilisateur de chaque appareil pour les instructions à ce sujet.
2. Mettez la console D-Fi™ hors tension.
3. Paramétrez la console D-Fi™ sur le même canal que les appareils en configurant les interrupteurs DIP. Pour plus d'informations, consultez la section [Interrupteurs DIP](#).
4. Assurez-vous que l'interrupteur DIP 6 soit sur la position ON.
5. Allumez l'Obey™ 40 D-Fi 2.4. Le voyant LED du signal clignote très rapidement.

Utilisation de la Sélection de Canal par Synchronisation Automatique (Auto-Sync)

La sélection de canal par synchronisation automatique déclenche un échange entre l'Obey™ 40 D-Fi 2.4 et les autres appareils D-Fi™ afin de décider d'un canal pour la transmission D-Fi™. Pour utiliser la synchronisation automatique lors de la configuration D-Fi™, effectuez les actions suivantes :

1. Allumez tous les autres appareils D-Fi™ et paramétrez-les en mode Auto-Sync. Consultez le manuel de l'utilisateur de chaque appareil pour les instructions à ce sujet.
2. Mettez la console D-Fi™ hors tension.
3. Configurez la console D-Fi™ sur le mode Auto-Sync en positionnant l'interrupteur DIP 5 sur la position OFF.
4. Assurez-vous que l'interrupteur DIP 6 soit sur la position ON.
5. Allumez l'Obey™ 40 D-Fi 2.4. Le voyant LED du signal reste allumé en continu.
6. Appuyez de manière continue sur le bouton **<Auto>** pendant au moins 15 secondes. Le voyant LED du signal commence à clignoter rapidement lorsque la console D-Fi™ communique avec les autres appareils.
7. Continuez d'appuyer sur le bouton **<Auto>** jusqu'à ce que tous les autres produits D-Fi™ indiquent qu'ils reçoivent un signal. Consultez le manuel de l'utilisateur de chaque appareil pour plus d'informations à ce sujet.



Les manuels d'utilisateur des appareils D-Fi™ de CHAUVET® peuvent être trouvés sur le site Internet à l'adresse <http://www.chauvetlighting.com/product-manuals-literature/>.



L'Obey™ 40 D-Fi 2.4 doit se trouver à une distance maximale de 91,44 m (300 pieds) des appareils, sans aucun obstacle majeur entre l'Obey™ 40 D-Fi 2.4 et les appareils.



- Paramétrez l'intégralité des autres appareils avant l'Obey™ 40 D-Fi 2.4.
- Assurez-vous que l'Obey™ 40 D-Fi 2.4 soit hors tension avant de changer la configuration des interrupteurs DIP.

Voyant du Signal D-Fi™

Le voyant du signal D-Fi™ donne des informations sur l'état D-Fi™ du Obey™ 40 D-Fi 2.4. Le tableau ci-dessous indique les différents états du voyant et la signification associée.

Voyant LED	Mode	Signification
Allumé en continue	Synchronisation automatique	Pas encore de connexion. En attente de fin de synchronisation automatique
Clignotement lent	Réception	Prêt à recevoir
	Réception	Réception de données
	Transmission	En cours de transmission ou prêt à transmettre.
Clignotement rapide	Synchronisation automatique	Connexion établie. Synchronisation automatique terminée.

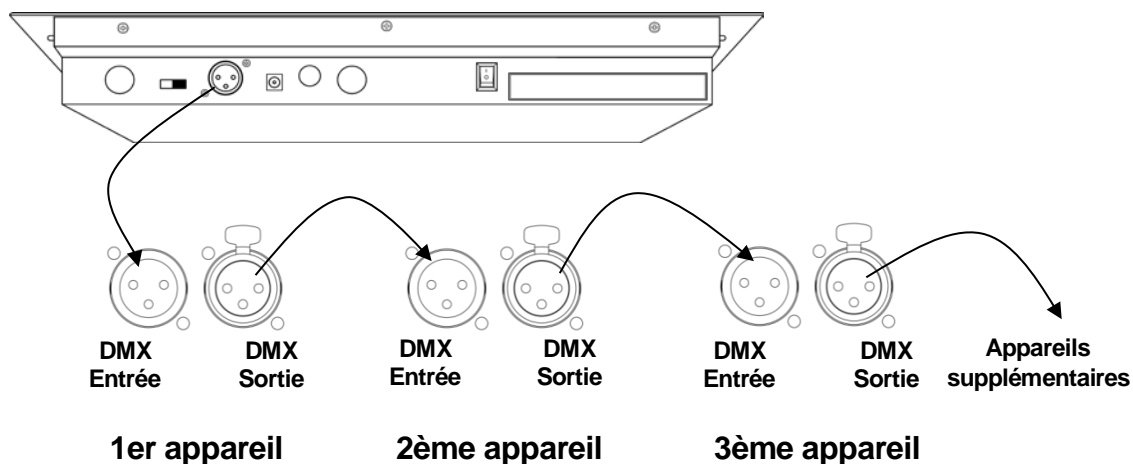
Câblage DMX

Le câblage DMX peut être utilisé avec le mode de transmission D-Fi™ ou en remplacement de la transmission D-Fi™ pour les produits qui ne sont pas compatibles D-Fi™. Pour passer en mode câblage DMX, branchez le câble DMX en partant du port de sortie DMX de la console vers le port d'entrée DMX du premier appareil de votre système.

Puis connectez un autre câble DMX à la sortie DMX du premier appareil de votre système et à l'entrée DMX de l'appareil suivant.

Continuez les branchements jusqu'à ce que tous les appareils soient connectés.

Schéma de Câblage DMX

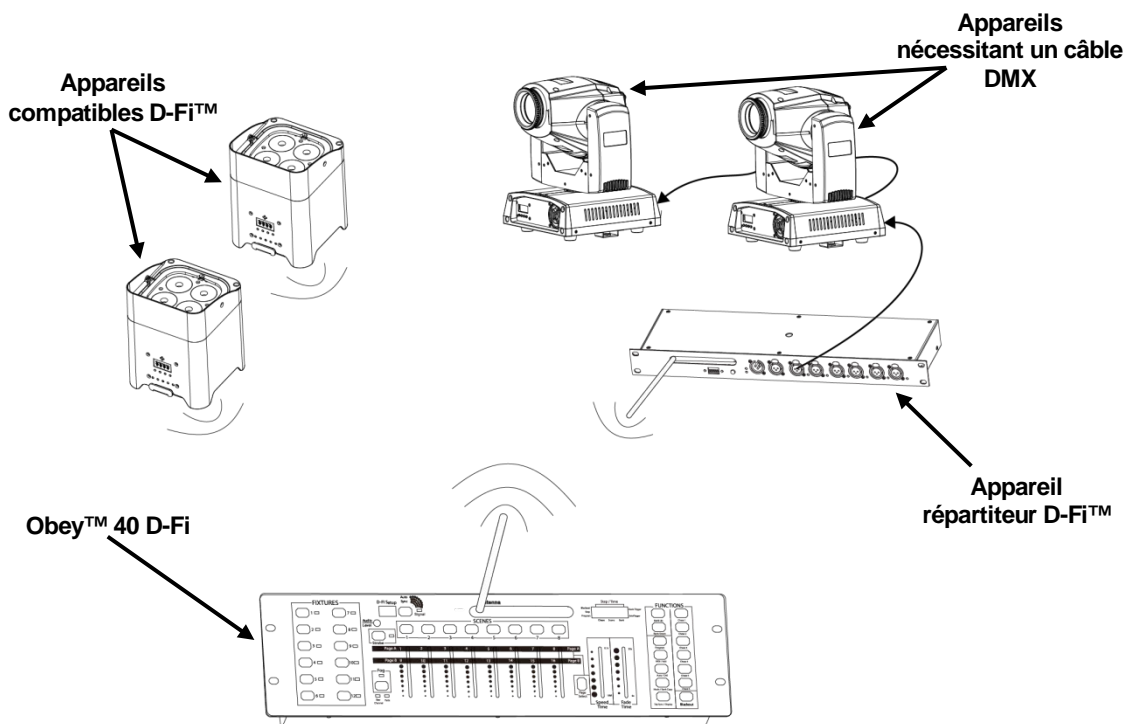


Communication D-Fi™

La communication D-Fi™ peut être utilisée seule ou en combinaison avec le câblage DMX. Les appareils compatibles D-Fi™ reçoivent un signal D-Fi™ directement en provenance du Obey™ 40 D-Fi 2.4 et les appareils qui nécessitent un câblage DMX peuvent être reliés à des répartiteurs D-Fi™, tels que D-Fi™ Hub et le D-Fi™ Stream 6 qui reçoivent le signal D-Fi™ et qui l'envoient à travers des câbles DMX.

Les appareils qui nécessitent un câblage DMX peuvent également être connectés au Obey™ 40 D-Fi 2.4 tel que montré plus haut dans le [Schéma de Câblage DMX](#).

Diagramme D-Fi™



Adressage DMX

L'Obey™ 40 D-Fi™ 2.4 utilise un adressage DMX. La console contrôle les projecteurs avec des adresses DMX spécifiques et les projecteurs doivent être adressés correctement pour que la console puisse les contrôler.

Plusieurs projecteurs peuvent avoir la même adresse DMX, mais les projecteurs avec une même adresse DMX doivent être du même type.

Voici un tableau montrant les plages d'adresses DMX du Obey™ 40 D-Fi™ 2.4 avec leurs boutons d'unité correspondants.

Tableau d'Adressage DMX

Adresse	Boutons "FIXTURES" d'unités
1–16	<FIXTURES 1>
17–32	<FIXTURES 2>
33–48	<FIXTURES 3>
49–64	<FIXTURES 4>
65–80	<FIXTURES 5>
81–96	<FIXTURES 6>
97–112	<FIXTURES 7>
113–128	<FIXTURES 8>
129–144	<FIXTURES 9>
145–160	<FIXTURES 10>
161–176	<FIXTURES 11>
177–192	<FIXTURES 12>

Une fois les unités adressées, la console les contrôle avec les boutons <FIXTURES>. Par exemple :

- Toute unité affectée à l'adresse **49** est contrôlée par le bouton <FIXTURES 4>.
- Toute unité affectée à l'adresse **145** est contrôlée par le bouton <FIXTURES 10>.

Potentiomètres et Pages

L'Obey™ 40 D-Fi 2.4 dispose de 8 potentiomètres de canaux sur deux pages de potentiomètres pour un total de 16 canaux.

Les potentiomètres contrôlent différentes adresses DMX en fonction de la page qui est active et de quel bouton d'unité est enfoncé.

Les pages sont une méthode pour contrôler 16 canaux avec seulement 8 potentiomètres de canaux. Passer d'une page à une autre permet de passer d'une adresse DMX à une autre pour le potentiomètre. Lorsque la page A est activée, les potentiomètres sont numérotés de 1 à 8. Lorsque la page B est activée, les potentiomètres sont numérotés de 9 à 16.

Le bouton <Page Select> permet de passer d'une page à l'autre. Les voyants LED Page A et Page B permettent de savoir quelle page est active.

Lorsque la page A est active, les potentiomètres de canaux contrôlent les 8 premières adresses DMX des projecteurs sélectionnés.

Lorsque la page B est active, les potentiomètres de canaux contrôlent la deuxième plage de 8 adresses DMX des projecteurs sélectionnés.

Adresses DMX des Potentiomètres

Les adresses DMX par défaut des potentiomètres sont déterminées par la combinaison des boutons <FIXTURES> et Page A ou Page B. Par exemple :

- Lorsque <FIXTURES 1> est sélectionné, les adresses DMX par défaut des potentiomètres de canaux sont 1 à 16. Lorsque la Page A est active, ce sont les adresses DMX 1 à 8 et lorsque la Page B est active, ce sont les adresses DMX 9 à 16.
- Lorsque <FIXTURES 7> est sélectionné, les adresses DMX par défaut des potentiomètres de canaux sont 97 à 112. Lorsque la Page A est active, ce sont les adresses DMX 97 à 104 et lorsque la Page B est active, ce sont les adresses DMX 105 à 112.

Lorsque deux boutons d'unité sont sélectionnés, chaque potentiomètre dispose de 2 pages d'adresses DMX par défaut différentes. Par exemple :

- Lorsque les boutons <FIXTURES 1> et <FIXTURES 7> sont sélectionnés, le potentiomètre du canal 1 dispose à la fois des adresses DMX qui démarrent à 1 et à 97.

Personnalisations des Potentiomètres

Les personnalisations de potentiomètres sont des outils très puissants, mais ne sont pas obligatoires. L'Obey™ 40 D-Fi 2.4 peut contrôler un important système de projecteurs sans avoir besoin de personnalisation de potentiomètre.

La personnalisation de potentiomètre se présente de deux manières :

- L'affectation de potentiomètre, qui modifie l'adresse DMX par défaut d'un potentiomètre de canal.
- L'inversion de potentiomètre, qui inverse la sortie du potentiomètre.

L'affectation de potentiomètre modifie l'adresse DMX d'un potentiomètre pour un bouton d'unité, de telle sorte que 2 projecteurs, affectés à deux boutons d'unités différents et avec des configurations de canaux DMX différentes, peuvent être contrôlés avec un seul potentiomètre de canal. Voir [Création d'Une Affectation de Potentiomètre](#) pour plus d'informations.

Remarque : Reportez-vous aux manuels d'utilisation des appareils pour plus d'informations sur les configurations de canaux DMX.

L'inversion de potentiomètre modifie l'ordre des valeurs DMX envoyées lorsque que le potentiomètre de canal se déplace. En mode normal, un potentiomètre de canal envoie une valeur DMX qui augmente à mesure qu'il se déplace vers le haut, en démarrant par la valeur 0 au début et jusqu'à 255 tout en haut. Lorsqu'un potentiomètre est inversé, il envoie la valeur 255 au début et 0 à la fin. Voir [Création d'Une Inversion de Potentiomètre](#) pour plus d'informations.

Les voyants LED des potentiomètres indiquent lorsqu'un potentiomètre a été personnalisé ou inversé.

Création d'Une Affectation de Potentiomètre

Une affectation de potentiomètre modifie l'adresse DMX par défaut d'un potentiomètre. L'affectation de potentiomètre est un outil puissant qui est utile dans certaines situations, mais non obligatoire.

Les instructions suivantes décrivent comment créer une affectation de potentiomètre pour un potentiomètre spécifique, mais des affectations de potentiomètre peuvent être créées pour n'importe quel potentiomètre et pour n'importe quel bouton d'unité.

Pour créer une affectation de potentiomètre et modifier l'adresse DMX du potentiomètre **<FIXTURES 2> <Channel 7>** de 7 à 5, effectuez les actions suivantes :

1. Appuyez sur **<Program>** et **<Tap Sync/Display>** simultanément pour entrer en mode de personnalisation d'affectation de potentiomètre.
2. Appuyez sur **<FIXTURES 2>**.
3. Vérifiez que **<FIXTURES 2>** est le seul bouton d'unité sélectionné, sinon appuyez sur les boutons d'unité allumés pour les désélectionner.
4. Déplacez le potentiomètre **<Speed Time>** jusqu'à ce que l'écran LCD affiche **0707**.
5. Déplacez le potentiomètre **<Fade Time>** jusqu'à ce que l'écran LCD affiche **05** sur la droite.

Remarque : L'écran LCD affiche 0705 car 7 est le potentiomètre en cours de personnalisation, et 5 est l'adresse DMX qui sera affectée au potentiomètre 7.

6. Appuyez sur **<MIDI/ADD>** pour enregistrer la personnalisation.
7. Déplacez le potentiomètre **<Speed Time>** jusqu'à ce que l'écran LCD affiche **0505**.
8. Déplacez le potentiomètre **<Fade Time>** jusqu'à ce que l'écran LCD affiche **0516**.
9. Appuyez sur **<MIDI/ADD>** pour enregistrer la configuration.

Remarque : Les étapes 7 à 9 permettent de réaffecter le potentiomètre 5 à une adresse DMX non utilisée, de sorte que les potentiomètres 5 et 7 n'essaient pas tous les deux d'envoyer des données à l'adresse DMX 5.

10. Appuyez sur **<Program>** et **<Tap Sync/Display>** simultanément pour sortir du mode de personnalisation d'affectation de potentiomètre.

- **Chaque potentiomètre de canal, dans le contexte d'une sélection d'unités, peut envoyer des valeurs à uniquement une seule adresse DMX. Ainsi, si l'adresse DMX par défaut d'un potentiomètre est réaffectée, ce potentiomètre doit recevoir une autre adresse DMX.**
- **Les affectations personnalisées de potentiomètres ne peuvent être enlevées qu'en effectuant une réinitialisation. Cependant, la réinitialisation de la console supprime également toutes les autres personnalisations ainsi que la programmation. Voir [Réinitialisation de la Console](#) pour plus d'informations.**



Copie d'Une Affectation de Potentiomètre

Les affectations de potentiomètres peuvent être copiées d'un bouton d'unité à un autre.

Pour copier la personnalisation de potentiomètre de <FIXTURES 2> à <FIXTURES 11>, effectuez les actions suivantes :

1. Appuyez sur <Program> et <Tap Sync/Display> simultanément pour rentrer dans le mode de personnalisation d'affectation de potentiomètre.
2. Appuyez et maintenez le bouton <FIXTURES 2>.
3. Tout en maintenant appuyé <FIXTURES 2>, appuyez et maintenez le bouton <FIXTURES 11>.
4. Tout en maintenant appuyés les boutons <FIXTURES 2> et <FIXTURES 11> appuyez et maintenez le bouton <Midi/Add>.
5. Continuez à appuyer sur <FIXTURES 11> et <MIDI/Add> mais relâchez le bouton <FIXTURES 2>.
6. Continuez à appuyer sur <Midi/Add> mais relâchez le bouton <FIXTURES 11>.
7. Enfin, relâchez <Midi/Add>.
8. Appuyez sur <Program> et <Tap Sync/Display> simultanément pour sortir du mode de personnalisation d'affectation de potentiomètre.



La copie d'une affectation personnalisée de potentiomètre n'entraîne pas la copie de configuration inversée d'un potentiomètre.

Création d'Une Inversion de Potentiomètre

Une inversion de potentiomètre entraîne une inversion de l'ordre dans lequel les valeurs sont envoyées par ce potentiomètre. Plutôt que d'envoyer la valeur la plus élevée lorsque le potentiomètre est au plus haut, un potentiomètre inversé envoie la valeur la plus basse.

Les inversions de potentiomètres sont des outils très puissants, mais ne sont pas obligatoires.

Les instructions suivantes décrivent comment inverser un potentiomètre en particulier, mais n'importe quel potentiomètre, pour n'importe quel bouton d'unité, peut être inversé.

Pour inverser le potentiomètre <Channel 12> pour le bouton d'unité <FIXTURES 9>, effectuez les actions suivantes :

1. Appuyez sur <Program> et <Tap Sync/Display> simultanément deux fois pour rentrer dans le mode de personnalisation d'inversion de potentiomètre.
2. Appuyez sur <FIXTURES 9>.
3. Déplacez le potentiomètre <Speed Time> jusqu'à ce que l'écran LCD affiche 12.
4. Déplacez le potentiomètre <Fade Time> tout en haut pour activer l'inversion de potentiomètre. Sur l'écran LCD, le symbole à la droite de 12 est modifié.
5. Appuyez sur <MIDI/ADD> pour enregistrer la configuration.
6. Appuyez sur <Program> et <Tap Sync/Display> simultanément deux fois pour sortir du mode de personnalisation d'inversion de potentiomètre.

Réinitialisation de la Console

La réinitialisation de la console efface toutes les personnalisations et la programmation. Elle remet la console à ses paramètres par défaut. La console doit être réinitialisée pour les nouveaux shows qui nécessitent de nouvelles personnalisations et configurations. La réinitialisation de la console peut être utilisée pour supprimer les comportements anormaux après plusieurs personnalisations subséquentes.

Pour réinitialiser la console, effectuer les actions suivantes :

1. Éteignez la console.
2. Pressez et maintenez enfoncés simultanément <Bank up> et <Auto/Del>.
3. Tout en maintenant enfoncés <Bank Up> et <Auto/Del>, allumez la console. L'écran LCD clignote pour indiquer que l'opération a réussi.



- **La réinitialisation de la console efface toutes les scènes, tous les chenillards et toutes les personnalisations.**
- **La réinitialisation de la console peut prendre jusqu'à 30 secondes.**

4. PROGRAMMATION

Mode Programmation Le mode Programmation permet de programmer la lecture. En mode Programmation, des ambiances d'éclairage sont créées et enregistrées pour la lecture. La programmation de la lecture est composée en trois parties.

1. Programmation des projecteurs : sélection et contrôle de ces derniers pour la création d'ambiances.
2. Programmation des scènes : sauvegarder les ambiances dans des scènes.
3. Programmation des chenillards : sauvegarder les scènes dans des chenillards.

La section qui suit décrit comment programmer des projecteurs, des scènes et des chenillards ainsi que la procédure pour modifier et supprimer des scènes et des chenillards.



Les projecteurs peuvent être programmés en mode Lecture, cependant les ambiances créées dans le mode Lecture ne peuvent pas être sauvegardées.

Entrer Dans le Mode Programmation Pour entrer dans le mode Programmation, effectuez les actions suivantes :

1. Éteignez la console.
2. Pressez et maintenez enfoncé le bouton **<Program>** pendant 3 secondes.
3. Le voyant lumineux de programmation s'affiche dans le coin inférieur gauche de l'écran LCD.
4. Relâchez le bouton **<Program>**.

Sortir du Mode Programmation Pour sortir du mode Programmation, effectuez les actions suivantes :

1. Pressez et maintenez enfoncé le bouton **<Program>** pendant 3 secondes.
2. Le voyant lumineux de programmation dans le coin inférieur gauche de l'écran LCD s'éteint et le voyant d'indicateur de noir général s'allume.
3. Relâchez le bouton **<Program>**.



Le noir général est activé à chaque fois que la console sort du mode Programmation. Le noir général doit être désactivé pour voir les ambiances des projecteurs. Voir [<Blackout>](#) pour plus d'informations.

I. Programmation des Projecteurs La programmation des projecteurs consiste à les contrôler avec les potentiomètres pour régler les couleurs, les positions et les modes de fonctionnement. Le résultat du contrôle des projecteurs s'appelle une ambiance.

La programmation des projecteurs en mode Programmation et la création des ambiances représente la première partie de la programmation de la lecture.

La lecture consiste à jouer les ambiances programmées pour un show. Les ambiances sont jouées à partir des scènes et des chenillards. Voir [5. Lecture](#) pour plus d'informations. Les projecteurs peuvent être contrôlés en mode Lecture, cependant les ambiances créées dans le mode Lecture ne peuvent pas être sauvegardées.

- **Reportez-vous au manuel d'utilisation du projecteur pour plus d'informations sur les attributions de canaux DMX pour le projecteur. Les Manuels d'Utilisation des appareils CHAUVET® sont disponibles sur le site Web de Chauvet à l'adresse <http://www.chauvetlighting.com/product-manuals-literature/>.**



- **La programmation de la lecture ne peut être effectuée qu'en mode Programmation.**
- **Les boutons d'unités sont inclusifs. Plusieurs projecteurs peuvent être sélectionnées à la fois. Faites attention aux voyants LED des boutons d'unités car ils indiquent quels projecteurs sont sélectionnés.**
- **Deux unités peuvent être programmées en même temps, mais elles doivent avoir la même affectation de canal DMX.**
- **Les instructions qui suivent font référence à des projecteurs, scènes, banques et chenillards spécifiques, mais elles sont valables pour n'importe quel projecteur, scène, banque ou chenillard.**

Programmation de Deux Appareils

La programmation d'un appareil consiste à lui envoyer des valeurs DMX pour le contrôler et créer une ambiance.

Les étapes principales de la programmation d'un appareil sont les suivantes :

1. Entrez dans le mode Programmation.
2. Appuyez sur un ou plusieurs boutons **<FIXTURE>** pour sélectionner un ou plusieurs appareils.
3. Déplacez les potentiomètres de canal pour contrôler le ou les appareils, utiliser **<Page Select>** pour passer d'une page de potentiomètre à l'autre.
4. Répétez les étapes 2 à 4 si besoin pour d'autres appareils.
5. Sauvegardez l'ambiance dans une scène. Voir [Créer une Scène](#).
6. Sortez du mode Programmation.

Remarque : Si l'ambiance n'est pas sauvegardée dans une scène, elle sera perdue en sortant du mode Programmation.

Les instructions spécifiques ci-dessous décrivent la programmation d'un appareil à 12 canaux sur **<FIXTURES 3>** et d'un appareil à 15 canaux sur **<FIXTURES 5>**.

1. Entrez dans le mode Programmation.
2. Appuyez sur **<FIXTURES 3>**. Son voyant LED s'allume et il est sélectionné.
3. Déplacez un ou plusieurs potentiomètres parmi les 8 potentiomètres de canaux pour envoyer des valeurs DMX aux 8 premiers canaux de l'unité **<FIXTURES 3>**. Le projecteur réagit aux potentiomètres.
4. Appuyez sur **<Page Select>**. Le voyant LED Page B s'allume et le voyant LED Page A s'éteint. La page B de potentiomètres est maintenant activée.
5. Déplacez un ou plusieurs potentiomètres parmi les 4 potentiomètres de canaux pour envoyer des valeurs DMX aux 4 derniers canaux de l'unité **<FIXTURES 3>**. L'appareil réagit aux potentiomètres.
6. Appuyez sur **<FIXTURES 5>**. Son voyant LED s'allume et il est sélectionné. Les deux projecteurs sont maintenant sélectionnés.
7. Appuyez sur **<FIXTURES 3>**. Son voyant LED s'éteint et il n'est plus sélectionné. Maintenant, seul **<FIXTURES 5>** est sélectionné.
8. Appuyez sur **<Page Select>**. Le voyant LED Page A s'allume et le voyant LED Page B s'éteint. La page B de potentiomètres est maintenant activée.
9. Déplacez un ou plusieurs potentiomètres parmi les 8 potentiomètres pour envoyer des valeurs DMX aux 8 premiers canaux de l'unité **<FIXTURES 5>**. Le projecteur réagit aux potentiomètres.
10. Appuyez sur **<Page Select>**. Le voyant LED Page B s'allume et le voyant LED Page A s'éteint. La page B de potentiomètres est maintenant activée.
11. Déplacez un ou plusieurs potentiomètres parmi les 7 premiers potentiomètres pour envoyer des valeurs DMX aux 7 derniers canaux de l'unité **<FIXTURES 5>**. Le projecteur réagit aux potentiomètres.
12. Répétez les étapes 2 à 11 si besoin pour d'autres appareils.
13. Sauvegardez l'ambiance dans une scène. Voir [Créer un Scène](#).

Remarque : Si l'ambiance n'est pas sauvegardée dans une scène, elle sera perdue en sortant du mode Programmation.

Programmation des Scènes

- II. La programmation des scènes consiste à sauvegarder les ambiances de projecteurs dans des scènes.

La programmation des scènes est la deuxième partie de la programmation de la lecture. Ce peut être la dernière partie car les scènes peuvent être jouées sans faire partie d'un chenillard. Voir [Lecture de Scène](#) pour plus d'informations.

L'Obey™ 40 D-Fi 2.4 dispose de 30 banques de 8 scènes chacune. La sauvegarde d'une scène nécessite donc de sélectionner une banque et une scène.



Lors de la lecture des scènes, les scènes sont jouées dans l'ordre numérique, banque après banque. Lors de la programmation de la lecture des scènes, assurez-vous que le passage de la scène 1 à la scène 2 puis la scène 3 ait un sens.

Créer une Scène

La création d'une scène consiste à sauvegarder une ambiance de projecteur dans un bouton de scène afin que l'ambiance puisse être jouée en mode Lecture. Les étapes principales de la programmation d'une scène sont les suivantes :

1. Entrez dans le mode Programmation.
2. Programmez les projecteurs pour créer une ambiance. Voir [Programmation de Deux Appareils](#).
3. Utilisez les boutons de banque pour sélectionner la banque dans laquelle la scène doit être créée. L'écran LCD affiche la banque courante juste au-dessus du mot "Bank".
4. Sauvegardez l'ambiance en appuyant sur le bouton **<Midi/Add>** puis sur un bouton de scène au sein d'une banque.
5. Répétez les étapes 2 à 11 si besoin pour d'autres ambiances et scènes.
6. Sortez du mode Programmation.
7. Réinitialisez les potentiomètres à 0 puis désactivez le noir général.

Les instructions spécifiques ci-dessous décrivent comment sauvegarder une ambiance dans la scène **<SCENES3>** de la banque 15.

1. Entrez dans le mode Programmation.
2. Programmez un ou plusieurs projecteurs jusqu'à ce que l'ambiance soit correcte. Voir [Programmation de Deux Appareils](#).
3. Appuyez sur **<MIDI/ADD>**.
4. Appuyez sur **<Bank Up>** ou **<Bank Down>** jusqu'à ce que le chiffre **15** s'affiche sur l'écran LCD juste au-dessus du mot "Bank".
5. Appuyez sur le bouton **<SCENES 3>**. L'écran LCD et les voyants LED des unités clignotent pour indiquer que l'opération a réussi.
6. Répétez les étapes 2 à 5 si besoin pour d'autres ambiances et scènes.
7. Sortez du mode Programmation.
8. Réinitialisez tous les potentiomètres de canaux à 0.
9. Appuyez sur **<Blackout>** pour désactiver le noir général et permettre la transmission DMX depuis la console.

Supprimer une Scène

La suppression d'une scène consiste à supprimer une ambiance d'un bouton de scène afin qu'il ne puisse plus être joué en mode Lecture.



La suppression d'une scène qui a été enregistrée en tant que pas d'un chenillard entraîne également la suppression du pas dans le chenillard.

Les étapes principales de la suppression d'une scène sont les suivantes :

1. Entrez dans le mode Programmation.
2. Utilisez les boutons de banque pour se positionner sur la banque contenant la scène à supprimer. L'écran LCD affiche la banque courante juste au-dessus du mot "Bank".
3. Supprimez la scène en appuyant sur le bouton **<Auto/Del>** puis sur le bouton de scène.
4. Répétez les étapes 2 à 3 si besoin pour d'autres scènes.
5. Sortez du mode Programmation.
6. Réinitialisez les potentiomètres à 0 puis désactivez le noir général.

Remarque : Une scène peut être supprimée en mode Programmation lorsqu'elle est active en mode Lecture.

Les instructions spécifiques ci-dessous décrivent comment supprimer la scène **<SCENES 4>** de la banque 2.

1. Entrez dans le mode Programmation.
2. Appuyez sur **<Bank Up>** ou **<Bank Down>** jusqu'à ce que le chiffre **2** s'affiche sur l'écran LCD juste au-dessus du mot "Bank".
3. Appuyez et maintenez le bouton **<Auto/Del>** puis appuyez sur le bouton **<SCENES 4>**. L'écran LCD et les voyants LED des unités clignotent pour indiquer que l'opération a réussi.
4. Répétez les étapes 2 à 4 si besoin pour d'autres scènes.
5. Sortez du mode Programmation.
6. Réinitialisez tous les potentiomètres de canaux à 0.

Appuyez sur **<Blackout>** pour désactiver le noir général et permettre la transmission DMX depuis la console.

Supprimer une Banque de Scènes

La suppression d'une banque de scènes consiste à supprimer l'intégralité des 8 scènes d'une banque afin qu'elles ne puissent plus être jouées en mode Lecture. Les étapes principales de la suppression d'une banque de scènes sont les suivantes :

1. Entrez dans le mode programmation.
2. Utilisez les boutons de banque pour se positionner sur la banque à supprimer. L'écran LCD affiche la banque courante juste au-dessus du mot "Bank".
3. Appuyez et maintenez les boutons **<Auto/Del>** et **<Music/Bank Copy>** simultanément. L'écran LCD et les voyants LED des unités clignotent pour indiquer que l'opération a réussi.
4. Répétez les étapes 2 à 3 si besoin pour d'autres banques.
5. Sortez du mode programmation
6. Réinitialisez les potentiomètres à 0 puis désactivez le noir général.

Les instructions spécifiques ci-dessous décrivent comment supprimer la banque 30.

1. Entrez dans le mode Programmation.
2. Appuyez sur **<Bank Up>** ou **<Bank Down>** jusqu'à ce que le chiffre **30** s'affiche sur l'écran LCD juste au-dessus du mot "Bank".
3. Appuyez et maintenez les boutons **<Auto/Del>** et **<Music/Bank Copy>** simultanément. L'écran LCD et les voyants LED des unités clignotent pour indiquer que l'opération a réussi.
4. Répétez les étapes 2 à 3 si besoin pour d'autres banques.
5. Sortez du mode Programmation.
6. Réinitialisez tous les potentiomètres de canaux à 0.
7. Appuyez sur **<Blackout>** pour désactiver le noir général et permettre la transmission DMX depuis la console.

Supprimer Toutes les Scènes

La suppression de toutes les scènes consiste à supprimer toutes les scènes qui ont été sauvegardées dans l'une des banques.

Pour effacer toutes les scènes de la console sans effacer les personnalisations de potentiomètres, effectuez les actions suivantes :

1. Éteignez la console.
2. Pressez et maintenez enfoncés les boutons **<Bank Down>** et **<Program>**.
3. Continuez de maintenir enfoncés les boutons **<Bank Down>** et **<Program>** puis allumez la console.
4. Continuez de maintenir enfoncés les boutons **<Bank Down>** et **<Program>** jusqu'à ce que l'écran LCD et les boutons d'unités clignotent.
5. Relâchez les boutons **<Bank Down>** et **<Program>**.

III.

Programmation des Chenillards

La programmation des chenillards consiste à sauvegarder des scènes en tant que pas dans des chenillards.

La programmation des chenillards est la troisième partie de la programmation de la lecture. Des scènes doivent déjà avoir été sauvegardées dans la console avant de pouvoir programmer des chenillards.

Création d'un Chenillard à Partir des Scènes Individuelles

La création d'un chenillard à partir des scènes individuelles consiste à sauvegarder des scènes individuelles dans des pas individuels dans un chenillard. Les scènes peuvent être sauvegardées dans les pas dans n'importe quel ordre.

Les étapes principales de la création d'un chenillard à partir de scènes individuelles sont les suivantes :

1. Entrez dans le mode Programmation.
2. Appuyez sur un bouton de chenillard pour sélectionner le chenillard à créer.
3. Utilisez les boutons de banque et de scène pour localiser la scène à sauvegarder en tant que pas dans le chenillard. L'écran LCD affiche la banque courante juste au-dessus du mot "Bank".
4. Appuyez sur le bouton **<Midi/Add>** deux fois pour sauvegarder la scène dans un pas.
5. Répétez les étapes 3 à 4 pour ajouter d'autres scènes en tant que pas, ou les étapes 2 à 4 pour ajouter plus de chenillards.
6. Sortez du mode Programmation.
7. Réinitialisez les potentiomètres à 0 puis désactivez le noir général.

Remarque : Les scènes sont enregistrées dans des pas en ordre séquentiel. La première scène enregistrée dans le chenillard va dans le pas 1, la deuxième scène enregistrée dans le chenillard va dans le pas 2, et ainsi de suite.

Les instructions spécifiques ci-dessous décrivent comment créer le chenillard **<Chase 1>** avec 3 pas : **<SCENES 3>** de la banque 15, **<SCENES 4>** de la banque 2 et **<SCENES 8>** de la banque 1.

1. Entrez dans le mode Programmation.
2. Appuyez sur le bouton **<Chase 1>**.
3. Appuyez sur **<Bank Up>** ou **<Bank Down>** jusqu'à ce que le chiffre **15** s'affiche sur l'écran LCD juste au-dessus du mot "Bank".
4. Appuyez sur le bouton **<SCENES 3>**. Les lumières affichent **<SCENES 3>** dans la banque 15.
5. Appuyez deux fois sur le bouton **<MIDI/ADD>**. L'écran LCD et les voyants LED des unités clignotent pour indiquer que l'opération a réussi.
6. Appuyez sur **<Bank Up>** ou **<Bank Down>** jusqu'à ce que le chiffre **2** s'affiche sur l'écran LCD juste au-dessus du mot "Bank".
7. Appuyez sur le bouton **<SCENES 4>**. Les lumières affichent **<SCENES 4>** dans la banque 2.
8. Appuyez sur **<MIDI/ADD>** deux fois. L'écran LCD et les voyants LED des unités clignotent pour indiquer que l'opération a réussi.
9. Appuyez sur **<Bank Up>** ou **<Bank Down>** jusqu'à ce que le chiffre **1** s'affiche sur l'écran LCD juste au-dessus du mot "Bank".
10. Appuyez sur le bouton **<SCENES 8>**. Les lumières affichent **<SCENES 8>** dans la banque 1.
11. Appuyez deux fois sur le bouton **<Midi/Add>**. L'écran LCD et les voyants LED des unités clignotent pour indiquer que l'opération a réussi.
12. Répétez les étapes 3 à 11 si nécessaire pour d'autres pas, ou répétez les étapes 2 à 11 pour d'autre chenillards.
13. Sortez du mode Programmation.
14. Réinitialisez tous les potentiomètres de canaux à 0.
15. Appuyez sur **<Blackout>** pour désactiver le noir général et permettre la transmission DMX depuis la console.

Création d'un Chenillard à Partir d'une Banque de Scènes

Un moyen rapide et efficace pour la programmation d'un chenillard est de créer 8 ambiances dans 8 scènes d'une banque, puis d'enregistrer l'ensemble de la banque dans un chenillard. Les scènes seront lues en boucle dans l'ordre numérique 1, 2, 3, 4, 5, 6, 7, 8.

Les étapes principales de la création d'un chenillard à partir d'une banque de scènes sont les suivantes :

1. Entrez dans le mode Programmation.
2. Appuyez sur un bouton de chenillard pour sélectionner le chenillard à créer.
3. Utilisez les boutons de banque pour sélectionner la banque à sauvegarder dans le chenillard. L'écran LCD affiche la banque courante juste au-dessus du mot "Bank".
4. Appuyez simultanément sur les boutons **<Music/Bank Copy>** et **<Midi/Add>**.
5. Répétez les étapes 3 à 4 si nécessaire pour ajouter d'autres banques au chenillard actuellement sélectionné, ou répétez les étapes 2 à 4 si nécessaire pour d'autres chenillards.
6. Sortez du mode Programmation.
7. Réinitialisez les potentiomètres à 0 puis désactivez le noir général.

Les instructions spécifiques ci-dessous décrivent comment créer le chenillard **<Chase 5>** à partir des scènes de la banque 12.

1. Entrez dans le mode Programmation.
2. Appuyez sur le bouton **<Chase 5>**.
3. Appuyez sur **<Bank Up>** ou **<Bank Down>** jusqu'à ce que le chiffre 12 s'affiche sur l'écran LCD juste au-dessus du mot "Bank".
4. Appuyez simultanément sur les boutons **<Music/Bank Copy>** et **<Midi/Add>**. L'écran LCD et les voyants LED des unités clignotent pour indiquer que l'opération a réussi.
5. Répétez les étapes 3 à 4 si nécessaire pour ajouter d'autres banques au chenillard actuellement sélectionné, ou répétez les étapes 2 à 4 si nécessaire pour d'autres chenillards.
6. Sortez du mode Programmation.
7. Réinitialisez tous les potentiomètres de canaux à 0.
8. Appuyez sur **<Blackout>** pour désactiver le noir général et permettre la transmission DMX depuis la console.

Modifier un Chenillard

La modification d'un chenillard consiste à insérer un pas au milieu du chenillard ou à supprimer un pas.

Remarque : Pour ajouter un pas à la fin d'un chenillard, suivez les instructions de la section [Création d'un Chenillard à Partir des Scènes Individuelles](#).

Ajouter un Pas à un Chenillard

L'ajout d'un pas à un chenillard consiste à l'insérer au milieu de ce dernier. Pour ajouter un pas à la fin d'un chenillard, suivez les instructions de la section [Création d'un Chenillard à Partir des Scènes Individuelles](#). Les étapes principales de l'insertion d'un pas au milieu d'un chenillard sont les suivantes :

1. Entrez dans le mode Programmation.
2. Utilisez les boutons de chenillards pour sélectionner le chenillard dans lequel la scène doit être ajoutée.
3. Utilisez les boutons de banque pour sélectionner la banque qui contient la scène à ajouter. L'écran LCD affiche la banque courante juste au-dessus du mot "Bank".
4. Appuyez sur le bouton **<Tap Sync/Display>** afin que l'affichage montre les pas de la scène sélectionnée.
5. Utilisez les boutons de banque pour sélectionner le pas du chenillard après lequel le nouveau pas doit être inséré. L'écran LCD affiche le pas courant juste au-dessus du mot "Scene".
6. Appuyez sur le bouton **<Midi/Add>** puis sur le bouton de scène de la scène qui doit être sauvegardée dans le pas.
7. Répétez les étapes 3 à 6 si nécessaire pour d'autres pas, ou répétez les étapes 2 à 6 si nécessaire pour d'autres chenillards.
8. Sortez du mode Programmation.
9. Réinitialisez les potentiomètres à 0 puis désactivez le noir général.

Les instructions spécifiques ci-dessous décrivent comment ajouter la scène **<SCENES8>** de la banque 12 au chenillard existant **<Chase 5>**, pour l'insérer après le pas 4.

1. Entrez dans le mode Programmation.
2. Appuyez sur le bouton **<Chase 5>**.
3. Appuyez sur **<Bank Up>** ou **<Bank Down>** jusqu'à ce que le chiffre **12** s'affiche sur l'écran LCD juste au-dessus du mot "Bank". La console est maintenant paramétrée sur la banque 12.
4. Appuyez sur le bouton **<Tap Sync/Display>**.
5. Appuyez sur **<Bank Up>** ou **<Bank Down>** jusqu'à ce que le chiffre **4** s'affiche sur l'écran LCD juste au-dessus du mot "Bank". La console est maintenant sur le pas 4 du chenillard **<Chase 5>**.
6. Appuyez sur **<MIDI/Add>**.
7. Appuyez sur le bouton **<SCENES 8>**.
8. Appuyez sur **<MIDI/Add>**. L'écran LCD et les voyants LED des unités clignotent pour indiquer que l'opération a réussi.
9. Répétez les étapes 3 à 8 si nécessaire pour d'autres pas, ou répétez les étapes 2 à 8 si nécessaire pour d'autres chenillards.
10. Sortez du mode Programmation.
11. Réinitialisez tous les potentiomètres de canaux à 0.
12. Appuyez sur **<Blackout>** pour désactiver le noir général et permettre la transmission DMX depuis la console.

Supprimer un Pas d'un Chenillard

La suppression d'un pas d'un chenillard consiste à enlever un pas d'un chenillard, mais cela ne supprime pas la scène sauvegardée dans le pas.



La suppression d'un pas d'un chenillard ne supprime pas la scène dans le pas. La scène est conservée et peut être sauvegardée dans d'autres chenillards, ou être jouée toute seule. Voir [Supprimer un Scène](#) pour plus d'informations sur la manière d'effacer une scène.

Les étapes principales de la suppression d'un pas sont les suivantes :

1. Entrez dans le mode Programmation.
2. Utilisez les boutons de chenillards pour sélectionner le chenillard dans lequel le pas doit être supprimé.
3. Utilisez les boutons de banque pour sélectionner le pas à supprimer. L'écran LCD affiche le pas courant juste au-dessus du mot "Bank".
4. Appuyez sur le bouton **<Auto/Del>** pour supprimer le pas.
5. Répétez les étapes 3 à 4 si nécessaire pour d'autres pas, ou répétez les étapes 2 à 4 si nécessaire pour d'autres chenillards.
6. Sortez du mode Programmation.
7. Réinitialisez les potentiomètres à 0 puis désactivez le noir général.

Les instructions spécifiques ci-dessous décrivent comment supprimer l'étape 5 du chenillard **<Chase 5>**.

1. Entrez dans le mode Programmation.
2. Appuyez sur le bouton **<Chase 5>**.
3. Appuyez sur le bouton **<Tap Sync/Display>**.
4. Appuyez sur **<Bank Up>** ou **<Bank Down>** jusqu'à ce que le chiffre **5** s'affiche sur l'écran LCD juste au-dessus du mot "Bank".
5. Appuyez sur **<Auto/Del>**. L'écran LCD et les voyants LED des unités clignotent pour indiquer que l'opération a réussi.
6. Répétez les étapes 3 à 5 si nécessaire pour d'autres pas, ou répétez les étapes 2 à 5 si nécessaire pour d'autres chenillards.
7. Sortez du mode Programmation.
8. Réinitialisez tous les potentiomètres de canaux à 0.
9. Appuyez sur **<Blackout>** pour désactiver le noir général et permettre la transmission DMX depuis la console.

Supprimer un Chenillard

La suppression d'un chenillard consiste à supprimer le chenillard en entier, mais sans toucher aux scènes sauvegardées dans le chenillard. Les étapes principales de la suppression d'un chenillard sont les suivantes :

1. Entrez dans le mode Programmation.
2. Utilisez les boutons de chenillards pour sélectionner le chenillard à supprimer.
3. Appuyez simultanément sur le bouton **<Auto/Del>** et le bouton du chenillard.
4. Répétez les étapes 2 à 3 si besoin pour d'autres chenillards.
5. Sortez du mode Programmation.
6. Réinitialisez les potentiomètres à 0 puis désactivez le noir général.

Les instructions spécifiques ci-dessous décrivent comment supprimer le chenillard **<Chase 3>**.

1. Entrez dans le mode Programmation.
2. Appuyez sur le bouton **<CHASE 3>**.
3. Appuyez simultanément sur les boutons **<Auto/Del>** et **<CHASE 3>**. L'écran LCD et les voyants LED des unités clignotent pour indiquer que l'opération a réussi.
4. Répétez les étapes 2 à 3 si besoin pour d'autres chenillards.
5. Sortez du mode Programmation.

Supprimer Tous les Chenillards

La suppression de toutes les chenillards supprime tous les chenillards programmés dans la console, mais sans supprimer les scènes ou les personnalisations. Pour supprimer tous les chenillards, effectuer les étapes suivantes :

1. Entrez dans le mode Programmation.
2. Appuyez simultanément sur les boutons **<Auto/Del>** et **<Bank Down>**.
3. Éteignez la console tout en maintenant enfoncés les boutons **<Auto/Del>** et **<Bank Down>**.
4. Éteignez la console.

5. LECTURE

Mode Lecture La lecture est utilisée pour jouer les scènes et chenillards sauvegardés. C'est le mode à utiliser lorsque que le show se déroule. En mode Lecture, les scènes et chenillards sauvegardés sont déclenchés pour être joués. Il existe 4 types de lecture.

- Lecture de scène - les scènes peuvent être déclenchées manuellement et automatiquement avec une cadence paramétrée par les potentiomètres **<Speed Time>** et **<Fade Time>**, le bouton **<Tap Sync/Display>**, ou par la musique.
- Lecture de chenillard - les chenillards peuvent être déclenchés automatiquement avec une cadence paramétrée par les potentiomètres **<Speed Time>** et **<Fade Time>**, le bouton **<Tap Sync/Display>**, ou par la musique.
- Lecture en direct - la lecture "à la volée" est un contrôle en direct des projecteurs, semblable à la programmation des projecteurs, mais les ambiances ne sont pas sauvegardées.
- Lecture MIDI - la lecture des scènes et des chenillards est déclenchée par l'entrée MIDI de la console.

Il est possible d'utiliser les 4 types de lecture simultanément.

Lecture de Scène La lecture de scène déclenche une ou plusieurs scènes spécifiques à jouer. Une scène peut être déclenchée manuellement en pressant un bouton de scène, auquel cas elle restera sélectionnée jusqu'à ce qu'une autre scène soit déclenchée. Les scènes d'une banque peuvent être jouées en boucle les unes après les autres avec une cadence paramétrée par les potentiomètres **<Speed Time>** et **<Fade Time>**, le bouton **<Tap Sync/Display>**, ou par la musique.

L'écran LCD affiche la scène courante.



- **Les scènes sont lues en ordre séquentiel dans une banque.**
- **Seulement une banque peut être lue à la fois.**
- **Seules les scènes programmées seront lues.**
- **Les scènes vides seront sautées lors de la lecture.**

Lecture Manuelle de Scène

La lecture manuelle de scène consiste à déclencher une unique scène en appuyant sur le bouton de scène. Les étapes principales de la lecture manuelle d'une scène sont les suivantes :

1. Assurez-vous que les types de lecture par déclenchement automatique (AutoTrigger) ou déclenchement par la musique (MusicTrigger) ne sont pas sélectionnés.
2. Utilisez les boutons de banque pour sélectionner la banque dans laquelle la scène doit être déclenchée.
3. Appuyez sur le bouton de scène. Les projecteurs jouent la scène programmée.

Les instructions spécifiques ci-dessous décrivent comment jouer la scène **<SCENES 2>** de la banque 2, puis la scène **<SCENES 8>** de la banque 4.

1. Assurez-vous que les types de lecture par déclenchement automatique ou déclenchement par la musique ne sont pas sélectionnés en vérifiant sur l'écran LCD que les indicateurs "AutoTrigger" et "MusicTrigger" sont éteints. Voir [Écran LCD](#) pour plus d'informations.
2. Si l'indicateur AutoTrigger est allumé, appuyez sur **<Auto/Del>**. L'indicateur s'éteindra.
3. Si l'indicateur MusicTrigger est allumé, appuyez sur **<Music/Bank Copy>**. L'indicateur s'éteindra.
4. Appuyez sur **<Bank Up>** ou **<Bank Down>** jusqu'à ce que le chiffre **2** s'affiche sur l'écran LCD juste au-dessus du mot "Bank".
5. Appuyez sur le bouton **<SCENES2>**. Les lumières affichent **<SCENES 2>**.
6. Appuyez sur **<Bank Up>** ou **<Bank Down>** jusqu'à ce que le chiffre **4** s'affiche sur l'écran LCD juste au-dessus du mot "Bank".
7. Appuyez sur le bouton **<SCENES 8>**. Les lumières affichent **<SCENES 8>**.

Lecture Automatique de Scène

La lecture automatique de scène consiste à déclencher la lecture séquentielle en boucle de l'ensemble des 8 scènes d'une banque, c.-à-d. scenes1, 2, 3, 4, 5, 6, 7, 8, 1, 2 et ainsi de suite. La longueur des scènes est défini par le potentiomètre **<Speed Time>** et le fondu entre deux scènes est défini par le potentiomètre **<Fade Time>**. Les étapes principales de la lecture automatique d'une scène sont les suivantes :

1. Appuyez sur le bouton **<Auto/Del>** pour paramétrer la console en mode de Lecture automatique.
2. Utilisez les boutons de banque pour sélectionner la banque de scène à jouer.
3. Réglez la cadence de la boucle avec le potentiomètre **<Speed Time>**.
4. Réglez le délai de fondu entre chaque scène avec le potentiomètre **<Fade Time>**.

Les instructions spécifiques ci-dessous décrivent comment lire toutes les scènes de la banque 3 avec une vitesse de 8 secondes et un délai de fondu de 0 secondes :

1. Appuyez sur le bouton **<Auto/Del>** pour que l'indicateur "Auto Trigger" s'affiche.
2. Déplacez les potentiomètres **<Speed Time>** et **<Fade Time>** à fond vers le bas.
3. Appuyez sur **<Bank Up>** ou **<Bank Down>** jusqu'à ce que le chiffre **3** s'affiche sur l'écran LCD juste au-dessus du mot "Bank". Les lumières affichent soit la scène 1 de la banque 3, soit la scène courante sélectionnée dans la banque 3.
4. Déplacez le potentiomètre **<Speed Time>** jusqu'à ce que l'écran LCD affiche **8.00**. Les lumières commencent alors à se déplacer d'une scène à l'autre dans la banque 3.



La console peut être basculée en mode Auto, Tap Sync ou Music à n'importe quel moment de la lecture. N'importe quel bouton appuyé en dernier détermine le type de déclencheur utilisé durant la lecture.

Lecture Automatique de Scène en Utilisant la Fonction Tap-Sync

La lecture automatique de scène avec la fonction Tap-Sync consiste à déclencher la lecture séquentielle en boucle de l'ensemble des 8 scènes d'une banque, c.-à-d. scenes 1, 2, 3, 4, 5, 6, 7, 8, 1, 2 et ainsi de suite. La longueur des scènes est défini par le bouton **<Tap Sync/Display>** et le fondu entre deux scènes est défini par le potentiomètre **<Fade Time>**. Les étapes principales de la lecture automatique d'une scène avec la fonction Tap-Sync sont les suivantes :

1. Assurez-vous que la console est en mode de Lecture automatique en contrôlant l'indicateur AutoTrigger.
2. Utilisez les boutons de banque pour sélectionner la banque de scènes à jouer.
3. Appuyez sur le bouton **<Tap Sync/Display>** au moins trois fois à la vitesse souhaitée.
4. Utilisez le potentiomètre **<Fade Time>** pour définir le délai de fondu entre chaque scène.

Lecture de Scène par la Musique

La lecture de scène par la musique consiste à déclencher la lecture séquentielle en boucle de l'ensemble des 8 scènes d'une banque, c.-à-d. scenes1, 2, 3, 4, 5, 6, 7, 8, 1, 2 et ainsi de suite. La longueur des scènes est défini par la durée de la musique et le fondu entre deux scènes est défini par le potentiomètre **<Fade Time>**. Les étapes principales de la lecture d'une scène par la musique sont les suivantes :

Pour lire toutes les scènes de la banque 3 avec une cadence déterminée par la musique :

1. Appuyez sur le bouton **<Music/Bank Copy>** pour mettre la console en mode de Lecture par la musique. L'indicateur "MusicTrigger" doit s'allumer.
2. Utilisez les boutons de banque pour sélectionner la banque de scènes à jouer.
3. Utilisez le potentiomètre **<Fade Time>** pour définir le délai de fondu entre chaque scène.

Lecture de Chenillards

La lecture de chenillards déclenche un ou plusieurs chenillards à jouer. Les chenillards sont déclenchés manuellement mais jouent en boucle l'ensemble de leurs pas automatiquement à une cadence déterminée par le potentiomètre **<Speed Time>**, avec le bouton **<Tap Sync/Display>** ou bien à une cadence déterminée par la musique.

L'écran LCD affiche le chenillard courant et la scène courante au fur et à mesure que le chenillard boucle parmi ses pas.



- **Lorsque plusieurs chenillards sont déclenchés, le dernier chenillard appuyé est le premier joué. Puis les chenillards suivants continuent dans l'ordre numérique.**
- **L'écran LCD n'affiche pas les numéros de pas de chenillard, cependant il affiche le chenillard et la scène du pas courant.**

Lecture Automatique de Chenillard

La lecture automatique de chenillard consiste au déclenchement de la lecture d'un ou plusieurs chenillards avec une longueur de pas définie par le potentiomètre **<Speed Time>** et un délai de fondu entre chaque scène défini par le potentiomètre **<Fade Time>**. Les étapes principales de la lecture automatique de chenillard sont les suivantes :

1. Utilisez les boutons de chenillards pour sélectionner le chenillard à jouer.
2. Appuyez sur le bouton **<Auto/Del>**.
3. Réglez la cadence de la boucle avec le potentiomètre **<Speed Time>**.
4. Réglez le délai de fondu entre chaque scène avec le potentiomètre **<Fade Time>**.

Les instructions spécifiques ci-dessous décrivent comment déclencher la lecture des chenillards **<Chase 1>** et **<Chase 2>** avec une vitesse de 10 secondes et un délai de fondu de 0 secondes :

1. Déplacez les potentiomètres **<Speed Time>** et **<Fade Time>** à fond vers le bas.
2. Appuyez sur **<Chase 1>**.
3. Appuyez sur le bouton **<Chase 2>**.
4. Appuyez sur **<Auto/Del>**.
5. Déplacez le potentiomètre **<Speed Time>** jusqu'à ce que l'écran LCD affiche **10.00**. La lumière commence alors à se déplacer d'un chenillard à l'autre en commençant par les pas du chenillard **<Chase 2>**.



La console peut être basculée en mode Auto, Tap Sync ou Music à n'importe quel moment de la lecture. N'importe quel bouton appuyé en dernier détermine le type de déclencheur utilisé durant la lecture.

Lecture Automatique de Chenillard avec Utilisation de la Fonction Tap-Sync

La lecture automatique de chenillard avec fonction Tap-Sync consiste à déclencher la lecture d'un ou plusieurs chenillards avec des longueurs de scènes définies par le bouton **<Tap Sync/Display>** et une durée de fondu entre chaque scène définie par le potentiomètre **<Fade Time>**. Les étapes principales de la lecture automatique de scènes de chenillards avec la fonction Tap-Sync sont les suivantes :

1. Assurez-vous que la console est en mode de Lecture automatique en contrôlant l'indicateur AutoTrigger.
2. Utilisez les boutons de chenillards pour sélectionner le chenillard à jouer.
3. Appuyez sur le bouton **<Tap Sync/Display>** au moins trois fois à la vitesse souhaitée.
4. Utilisez le potentiomètre **<Fade Time>** pour définir le délai de fondu entre chaque scène.

Lecture de Chenillard avec Musique

La lecture de chenillard avec musique consiste à déclencher la lecture d'un ou plusieurs chenillards avec des longueurs de scènes définies par la durée de la musique et une durée de fondu entre chaque scène définie par le potentiomètre **<Fade Time>**. Les étapes principales de la lecture d'une scène par la musique sont les suivantes :

Pour lire toutes les scènes de la banque 3 avec une cadence déterminée par la musique :

1. Pressez **<Music/Bank Copy>** pour mettre la console en mode de Lecture par la musique. L'indicateur "MusicTrigger" s'affiche.
2. Utilisez les boutons de chenillards pour sélectionner le chenillard à jouer.
3. Utilisez le potentiomètre **<Fade Time>** pour définir le délai de fondu entre chaque scène.

Fonctionnement MIDI

Les appareils MIDI en source externe peuvent être utilisés pour déclencher la lecture des scènes et des chenillards.

Connectez la source MIDI à l'Obey™ avec un câble MIDI à 5 broches afin qu'il puisse réagir aux signaux MIDI en entrée.

Le tableau ci-dessous montre quelles scènes et chenillards peuvent être déclenchés par une source MIDI externe.

Configuration MIDI

Note MIDI	Fonction (Marche/arrêt)
00-07	Scènes 1 à 8, banque 1
08-15	Scènes 1 à 8, banque 2
16-23	Scènes 1 à 8, banque 3
24-31	Scènes 1 à 8, banque 4
21-39	Scènes 1 à 8, banque 5
40-47	Scènes 1 à 8, banque 6
48-55	Scènes 1 à 8, banque 7
56-63	Scènes 1 à 8, banque 8
64-71	Scènes 1 à 8, banque 9
72-79	Scènes 1 à 8, banque 10
80-87	Scènes 1 à 8, banque 11
88-95	Scènes 1 à 8, banque 12
96-103	Scènes 1 à 8, banque 13
104-111	Scènes 1 à 8, banque 14
112-119	Scènes 1 à 8, banque 15
120	Chenillard 1
121	Chenillard 2
122	Chenillard 3
123	Chenillard 4
124	Chenillard 5
125	Chenillard 6
126	Noir Général

Commande du Brouillard

L'Obey™ 40 D-Fi 2.4 est doté d'un bouton de brouillard lui permettant de fonctionner avec les machines à brouillard compatibles de CHAUVET®. Voir le site de Chauvet pour les machines à brouillard disponibles : www.chauvetlighting.com.

Pour faire fonctionner une ou plusieurs machines à brouillard, procédez comme suit :

1. Connectez les machines à brouillard au port de sortie de contrôle de brouillard sur le panneau arrière.

Remarque : Consultez le manuel de l'utilisateur de la machine à fumée pour obtenir des informations sur la connexion de plus d'une machine à brouillard.

2. Allumez la ou les machines à brouillard.
3. Attendez que le voyant LED Fog s'allume.
4. Appuyez sur le bouton <Fog> pour générer du brouillard.



Le voyant LED Fog indique que la machine à brouillard est à la température optimale et qu'elle est prête à générer du brouillard. Lorsque le voyant LED est éteint, la machine à brouillard peut toujours générer du brouillard, cependant pas pour le temps maximum indiqué.

Commande de Stroboscope

L'Obey™ 40 D-Fi 2.4 est doté d'un bouton stroboscope dédié lui permettant de fonctionner avec les stroboscopes compatibles de CHAUVET®. Consultez le site internet de Chauvet pour les stroboscopes disponibles : www.chauvetlighting.com.

Pour faire fonctionner un ou plusieurs stroboscopes, procédez comme suit :

1. Connectez le ou les stroboscopes au port de sortie de contrôle de stroboscope sur le panneau arrière de l'Obey™ 40.

Remarque : Consultez le manuel de l'utilisateur du stroboscope pour obtenir des informations sur la connexion de plus d'un stroboscope.

2. Allumez le ou les stroboscopes.
3. Appuyez sur le bouton <Strobe> pour démarrer le stroboscope.

Remarque : Le bouton <Strobe> est un interrupteur instantané. La lumière clignotera aussi longtemps que le bouton est maintenu enfoncé. Lorsqu'il n'est pas enfoncé, le stroboscope n'éclaire pas.



Le voyant LED pour le bouton de stroboscope clignotera à la même fréquence que le stroboscope.

Bouton de Sensibilité Audio

Le bouton de sensibilité audio permet de rendre la console D-Fi™ plus ou moins sensible aux sons. Lorsque le bouton est tourné au maximum vers la droite, la sensibilité aux sons de la console D-Fi™ est maximale.

6. INFORMATIONS TECHNIQUES

Entretien Pour une performance optimale et une usure minimisée, les unités doivent être nettoyées régulièrement. Les conditions environnementales et d'utilisation peuvent exiger un nettoyage plus fréquent. En règle générale, les unités devraient être nettoyées au moins deux fois par mois. L'accumulation de poussière réduit la sortie de lumière et peut entraîner une surchauffe de l'appareil. La vie des lampes s'en trouve réduite et l'usure mécanique accrue. Assurez-vous de mettre l'unité sous tension avant de procéder à tout entretien.

1. Débranchez l'unité.
2. Utilisez un aspirateur ou un compresseur d'air et une brosse douce pour enlever la poussière accumulée sur les surfaces/ventilations externes.
3. Quand l'unité est à la température ambiante, nettoyez toutes les lentilles à l'aide d'un nettoyant pour vitres ou de l'alcool isopropylique au moyen d'un tissu doux en coton non pelucheux ou d'un tissu optique.
4. Versez le produit sur le tissu et nettoyez toute trace de saleté ou d'impureté vers l'extérieur des lentilles optiques.
5. Nettoyez en douceur ces surfaces jusqu'à ce que toute peluche ou trace ait disparu.



Assurez-vous de bien sécher toutes les surfaces après les avoir nettoyées.

Spécificités Techniques

POIDS ET DIMENSIONS

Longueur	483 mm (19 po)
Largeur	89 mm (3,5 po)
Hauteur	171 mm (6,7 po)
Poids	2,6 kg (5,7 lbs)

ALIMENTATION

Tension d'entrée	9 V CC, 500 mA
Alimentation externe	100-240 VCA, 50/60 Hz

INTÉRIEUR/EXTÉRIEUR

Exigence	Pour usage intérieur uniquement
----------	---------------------------------

THERMIQUE

Température maximale ambiante	40 °C (104 °F)
Commande et programmation	

SORTIE DE DONNÉES

Configuration des broches de données broche 3 (+)	Prise XLR à trois broches broche 1 blindage, broche 2 (-), broche 3 (+)
Nombre total de canaux DMX commandés	192

INFORMATIONS POUR LA COMMANDE

Obey™ 40 D-Fi™ 2.4	OBHEY40DFI2.4
Code article	09080697

SANS FIL

Fréquence de fonctionnement	2,433 à 2,48 GHz
-----------------------------	------------------

INFORMATIONS SUR LA GARANTIE

Garantie	Garantie limitée de 2 ans
----------	---------------------------



RENOIS

Pour assistance ou renvoi d'un produit :

- Si vous résidez aux États-Unis, contactez le siège mondial de Chauvet (voir coordonnées ci-après).
- Si vous vivez au Royaume-Uni ou en Irlande, contactez Chauvet Europe Ltd.
- Si vous vivez au Mexique, contactez Chauvet Mexico.
- Si vous vivez au Benelux, contactez Chauvet Europe BVBA.
- Si vous résidez n'importe où ailleurs, NE contactez pas Chauvet. Veuillez plutôt contacter votre revendeur local. Rendez-vous sur www.chauvetlighting.com pour découvrir la liste des revendeurs en dehors des États-Unis, de l'Irlande, du Mexique ou du Benelux.



Si vous résidez en dehors des États-Unis, du Royaume-Uni, de l'Irlande, du Mexique ou du Benelux, contactez votre revendeur et suivez ses instructions quant à la procédure à suivre pour renvoyer votre appareil. Consultez notre site Web pour en trouver les coordonnées.

Téléphonez au centre d'assistance technique de Chauvet correspondant et demandez un numéro d'autorisation de retour (NAR) avant de nous réexpédier l'appareil. Pour l'obtenir, il vous sera demandé de fournir le numéro du modèle, le numéro de série ainsi qu'une brève description de l'objet du retour.

Envoyez la marchandise en port prépayé, dans son conditionnement d'origine, avec son emballage et ses accessoires d'origine. Chauvet ne délivrera pas d'étiquettes de renvoi.

Indiquez lisiblement le NAR sur une étiquette apposée sur le colis. Chauvet refusera la réception de tout appareil pour lequel aucun NAR n'a été demandé.



Inscrivez le NAR sur une étiquette convenablement collée. N'écrivez PAS le NAR directement sur le colis.

Avant de nous retourner le colis, inscrivez les informations suivantes, de manière lisible, sur une feuille de papier, que vous placerez à l'intérieur du colis :

- Votre nom
- Votre adresse
- Votre numéro de téléphone
- Le numéro NAR
- Une courte description du problème

Veillez à emballer l'appareil de manière adéquate. Vous serez tenu responsable de tout dommage survenant lors de l'expédition de retour dû à un emballage inadéquat. Nous vous recommandons d'utiliser un emballage double ou celui de FedEx.



Chauvet se réserve le droit, à sa convenance, de réparer ou remplacer tout appareil qui lui est retourné.

NOUS CONTACTER

SIÈGE SOCIAL MONDIAL - Chauvet

Informations Générales

Adresse : 5200 NW 108th Avenue
Sunrise, FL 33351
Téléphone : (954) 577-4455
Télécopie : (954) 929-5560
N° vert : (800) 762-1084

Support Technique

Téléphone : (954) 577-4455 (appuyer sur
4)
Télécopie : (954) 756-8015
E-mail : tech@chauvetlighting.com

Site Web www.chauvetlighting.com

ROYAUME-UNI ET L'IRLANDE - Chauvet Europe Ltd.

Informations Générales

Adresse: Unit 1C
Brookhill Road Industrial Estate
Pinxton, Nottingham, UK
NG16 6NT
Téléphone: +44 (0)1773 511115
Télécopie: +44 (0)1773 511110

Support Technique

E-mail: uktech@chauvetlighting.com

Site Web www.chauvetlighting.co.uk

MEXIQUE - Chauvet Mexico

Informations Générales

Adresse: Av. Santa Ana 30
Parque Industrial Lerma
Lerma, Mexico C.P. 52000
Téléphone: +52 (728) 285-5000

Support Technique

E-mail: servicio@chauvet.com.mx

Site Web www.chauvet.com.mx

CHAUVET EUROPE - Chauvet Europe BVBA

Informations Générales

Adresse: Stokstraat 18
9770 Kruishoutem
Belgium
Téléphone: +32 9 388 93 97

Support Technique

Email: Eutech@chauvetlighting.eu

Site Web www.chauvetlighting.eu

En dehors des États-Unis, du Royaume-Uni, de l'Irlande, Mexique, ou du Benelux contactez votre revendeur. Suivez leurs instructions pour accéder à l'assistance ou pour renvoyer un produit. Consultez notre site web pour les coordonnées.

1. ERSTE SCHRITTE

- Packungsinhalt**
- Obey™ 40 D-Fi 2.4
 - Externes Netzkabel
 - Garantiekarte
 - Bedienungsanleitung

Anweisungen für das Auspacken Packen Sie den Obey™ 40 D-Fi 2.4 vorsichtig aus und überprüfen Sie, ob Sie alle Teile unbeschädigt erhalten haben.

Schadensmeldung Wenn die Box oder die in der Verpackung befindlichen Teile beschädigt sind oder Mängel durch nicht einwandfreie Behandlung aufweisen, sichern Sie alle Verpackungsteile und machen dies umgehend beim Transportunternehmen geltend. Eine Nichtbeachtung dieser umgehenden Meldepflicht gegenüber dem Transportunternehmen oder fehlende Verpackungsteile bei der Überprüfung des Anspruchs auf Mängelbeseitigung kann zu einem Erlöschen dieses Anspruchs führen.

Bei anderen Problemen wie etwa fehlende Komponenten oder Teile, Schäden, die nicht durch den Transport entstanden sind, oder nicht offensichtliche Schäden, machen Sie Ihren Anspruch gegenüber Chauvet innerhalb von 7 Tagen ab Lieferung der Waren geltend. Siehe [Kontakt](#)



Setzen Sie das Obey™ 40 D-Fi 2.4 vor Gebrauch zurück. Weitere Informationen sind im Abschnitt [Zurücksetzen des Mischpults](#) enthalten.

Konventionen

Konvention	Bedeutung
1—512	Eine Bandbreite an Werten
50/60	Ein Satz von Werten
Seite A	Eine Kontrollleuchte auf der Konsole
15	Auf der Anzeige angezeigte Informationen
Einstellungen	Eine Menüoption
Menu > Settings	Eine Sequenz von Menüoptionen
<Enter>	Eine Taste

Symbole

Konvention	Bedeutung
	Kritische Informationen. Bei Nichtbeachtung dieser Informationen kann es zu Fehlfunktionen oder Beschädigungen des Geräts oder zu Verletzungen des Bedieners kommen.
	Wichtige Informationen. Bei Nichtbeachtung dieser Informationen kann es zu Fehlfunktionen des Geräts kommen.
	Nützliche Informationen

Haftungsausschluss

Die in dieser Bedienungsanleitung aufgeführten Informationen und Spezifikationen können ohne vorherige Ankündigung geändert werden. Chauvet ist nicht verantwortlich und haftet nicht für in dieser Bedienungsanleitung auftretende Fehler oder fehlende Angaben, und es behält sich das Recht vor, jederzeit Änderungen an dieser Bedienungsanleitung vorzunehmen. Die neueste Version der Bedienungsanleitung können Sie unter <http://www.chauvetlighting.com/product-manuals-literature/> herunterladen.

© Copyright 2015 Chauvet. Alle Rechte vorbehalten.

Gedruckt in China.

In den USA von Chauvet elektronisch veröffentlicht.

Verfasser	Datum:	Herausgeber:	Datum:
R. Isenstadt	25.03.2015	A. Leon	07/04/2015

Produktüberblick	Verwendung des Dimmers	X	Auto-Programm	X
	Verwendung im Außenbereich	X	Vorschaltgerät	P
	Musiksteuerung	P	Austauschbare Sicherung	X
	DMX	P	Vom Benutzer reparierbar	X
	Master/Slave	X		

Sicherheitshinweise

Diese Hinweise enthalten wichtige Informationen über die Montage, Verwendung und Wartung dieses Geräts. Lesen Sie vor Gebrauch des Geräts diese Hinweise durch.



- Schließen Sie dieses Gerät immer an die Masse an, um die Gefahr elektrischer Schläge zu reduzieren.
- Stellen Sie sicher, dass das Netzkabel nicht gequetscht oder beschädigt ist.
- Trennen Sie das Gerät immer von der Stromquelle, bevor Sie es reinigen oder die Sicherung auswechseln.
- Ziehen Sie beim Trennen des Geräts von der Stromversorgung nie am Kabel.
- Verwenden Sie für die Montage der Geräte über Kopf immer ein ordnungsgemäßes Sicherheitskabel.
- Stellen Sie sicher, dass das Gerät mit einem Sicherheitsabstand zu entzündlichen Materialien betrieben wird.



- Dieses Gerät darf nur im Innenbereich verwendet werden. Es entspricht dem Standard IP 20.
- Das Gerät nicht Regen oder Feuchtigkeit aussetzen.
- Vergewissern Sie sich, dass die Spannung der Schuko-Steckdose, an die Sie das Gerät anschließen, sich innerhalb des Spannungsbereiches befindet, der auf dem Hinweisschild oder dem rückwärtigen Bedienfeld des Produkts angegeben ist.
- Schließen Sie dieses Produkt niemals an einen Dimmer oder Regelwiderstand an.
- Installieren Sie das Gerät immer an einem Ort mit ausreichender Belüftung und mit einem Abstand des Produkts zu den angrenzenden Flächen von 50 cm.
- Stellen Sie sicher, dass die Lüftungsöffnungen am Gehäuse des Geräts nicht verschlossen sind.
- Betreiben Sie das Gerät nicht bei einer Umgebungstemperatur von mehr als 104 °F (40 °C).
- Halten Sie beim Tragen des Geräts dieses immer an den Montageseiten fest.
- Bei ernsthaften Betriebsproblemen stoppen Sie umgehend die Verwendung des Geräts.
- Versuchen Sie nie selbst, dieses Gerät zu reparieren. Reparaturen müssen von entsprechend geschultem Fachpersonal durchgeführt werden, da sonst Schäden oder Fehlfunktionen auftreten können.
- Wenden Sie sich für erforderliche Reparaturen an den nächsten autorisierten Technischen Support.
Für weitere Informationen siehe [Kontakt](#).
- Um unnötigen Verschleiß zu vermeiden und die Lebensdauer des Geräts zu verlängern, trennen Sie während längerer Perioden des Nichtgebrauchs das Gerät vom Stromnetz – entweder per Trennschalter oder durch Herausziehen des Steckers aus der Steckdose.



Bitte heben Sie diese Bedienungsanleitung zur späteren Einsicht auf. Stellen Sie sicher, dass Sie bei einem Weiterverkauf dieses Geräts dieses Dokument beigelegt haben.

2. EINLEITUNG

- Eigenschaften**
- Integrierter D-Fi™-Transmitter
 - Kompatibel mit allen D-Fi™-fähigen Produkten.
 - DMX-Ausgang
 - Steuerung von bis zu 12 unterschiedlichen Beleuchtungsgeräten mit jeweils bis zu 16 Kanälen
 - Steuerung mehrerer Beleuchtungsgeräte gleichzeitig
 - Speicherung und Wiedergabe von 240 Szenen bei 30 Multiplexer mit jeweils 8 Szenen
 - Speicherung und Wiedergabe von 6 Chases mit jeweils 240 Schritten
 - Akzeptanz von individuellen Fader-Einstellungen
 - Wiedergabe mehrerer Chases in einer sequenziellen Reihenfolge
 - Steuerung von Beleuchtungsgeräten im Wiedergabe-Modus "im Vorbeigehen"
 - Auslösen von Chases und Szenen per Musik, Tap-Sync oder Auto-Run
 - Akzeptanz eines MIDI-Eingangs zum Auslösen von Szenen und Chases
 - Steuerung von Nebelmaschinen und Stroboskop-Geräten mit eigenen Tasten

Produkt- beschreibung

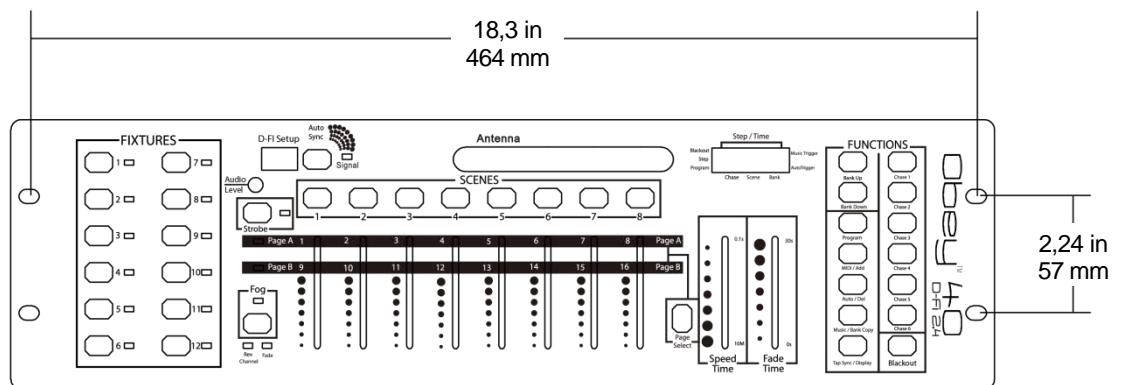
Der Obey™ 40 D-Fi 2.4 (das Mischpult) ist ein kompakter und leistungsstarker Controller mit integriertem D-Fi™-Transmitter, der eine drahtlose Steuerung aller D-Fi™-fähigen Geräte erlaubt.

Er verfügt über mehrere Wiedergabe-Modi und kann bis zu 192 DMX-Kanäle ansteuern, die in 12 Gruppen aufgeteilt sind, und auf die mit den Tasten **<FIXTURES>** zugegriffen werden kann. Jede **<FIXTURES>**-Taste ist mit 16 voreingestellten DMX-Kanälen verbunden. Diese 16 Kanäle sind in 2 Gruppen aufgeteilt, auf die mit der Taste **<Page Select>** zugegriffen werden kann; damit können 8 physische Fader 16 Kanäle steuern.

Montage

Der Obey™ 40 D-Fi 2.4 besitzt Aussparungen für die Rack-Montage in ein standardmäßiges 19-Zoll-Rack. Er verfügt zudem über GummifüÙe für eine Tischaufstellung. Der Obey™ D-Fi 2.4 muss innerhalb von ca. 100 Metern der D-Fi™-Geräte aufgestellt werden, und achten Sie darauf, dass dazwischen freie Sicht ist, d. h., keine Betonwände oder große Metallkonstruktionen den Funk behindern.

Montage- abmessungen



Konzepte mit drahtlosem D-Fi™

Der Obey™ 40 D-Fi 2.4 nutzt zum Senden von DMX-Signalen an D-Fi™-fähige Geräte eine Funkfrequenz und vermeidet so das Verlegen langer DMX-Kabel. Der Obey™ 40 D-Fi 2.4 muss in einem Abstand von maximal 100 Metern zu den anderen D-Fi™-Geräten aufgestellt werden, und achten Sie darauf, dass dazwischen freie Sicht ist, d. h., keine Betonwände oder große Metallkonstruktionen den Funk behindern. In Fällen, bei denen diese Distanz von 100 Metern überschritten wird, kann ein D-Fi™-Verteiler, wie zum Beispiel der D-Fi™ Hub oder D-Fi™ Stream 6 von CHAUVET® per DMX-Kabel mit den Beleuchtungsgeräten verbunden werden. Der D-Fi™-Verteiler empfängt die DMX-Signale drahtlos über D-Fi™ und sendet diese per DMX-Kabel an die Beleuchtungsgeräte weiter.

Programmierungskonzepte

Der Obey™ 40 D-Fi 2.4 verwendet zur Ansteuerung von Geräten DMX-Adressierung und -Werte. Für weitere Informationen siehe [DMX-Adressierung](#) und [Übersicht DMX-Adressierung](#).

Visuelle Effekte werden mithilfe der Fader erzeugt, indem DMX-Werte an die Geräte gesandt werden. Die visuellen Effekte werden in Szenen gespeichert und die Szenen werden als Schritte in Chases gespeichert. Die Szenen und Chases werden mit unterschiedlichen Geschwindigkeiten und unterschiedlichen Arten von Auslösern wiedergegeben.

- Visuelle Effekte werden im Programm-Modus erzeugt. Die Geräte werden mit den Geräte-Tasten (Fixtures) ausgewählt. Die Fader werden zur Steuerung der Geräte und zur Erzeugung visueller Effekte bewegt. Dann werden die visuellen Effekte mit den Scene-Tasten in Szenen gespeichert und diese Szenen werden mit den Chase-Tasten als Schritte in Chases gespeichert. Für weitere Informationen siehe [4. Programmierung](#).
- Szenen und Chases werden im Wiedergabe-Modus wiedergegeben. Die Szenen werden mit den Scene-Tasten ausgelöst und die Chases werden mit den Chase-Tasten ausgelöst. Das Timing der Wiedergabe wird mit den Speed- und Time-Fadern, der Tap-Sync-Funktion oder dem MIDI-Eingang eingestellt. Für weitere Informationen siehe [5. Wiedergabe](#).



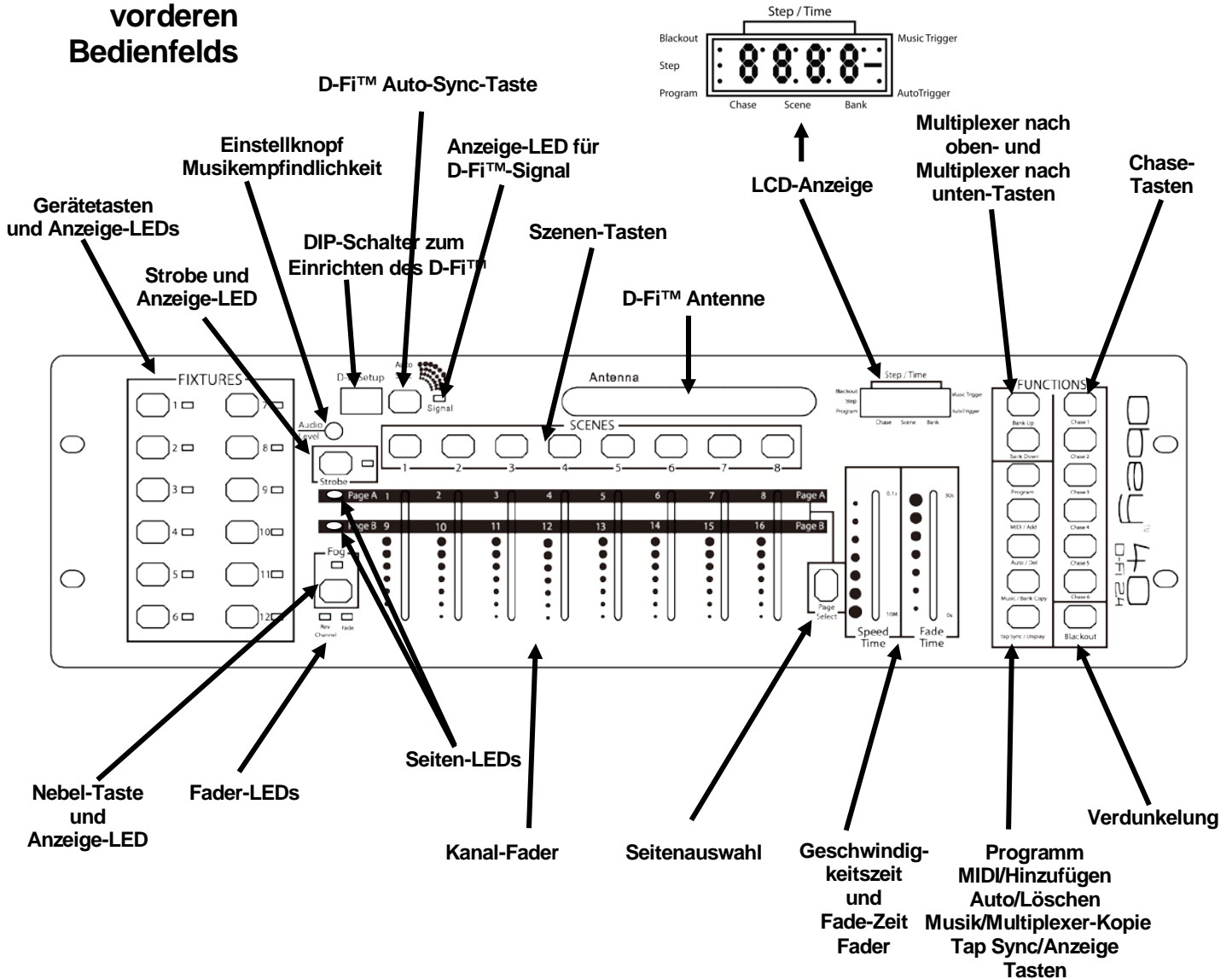
Visuelle Effekte können im Wiedergabe-Modus erzeugt, jedoch nicht gespeichert werden.

Übersichten der Bedienfelder

Der Obey™ 40 D-Fi 2.4 hat die Tasten <FIXTURES> links, die DMX-Fader zusammen mit den Tasten <SCENES> mittig und die Wiedergabetasten rechts angeordnet.

Auf der Rückseite des Mischpults sind die Anschlüsse und der Netzanschluss angeordnet. Für weitere Informationen zum rückwärtigen Bedienfeld siehe [Ansicht des rückwärtigen Bedienfelds](#)

Ansicht des vorderen Bedienfelds



Steuerungsmöglichkeiten vorderes Bedienfeld

Die Steuerungsmöglichkeiten auf dem vorderen Bedienfeld erlauben einen Zugriff auf die D-Fi™-Funktionen und alle Programmier- und Wiedergabeoptionen des Obey™ 40 D-Fi 2.4. Die DIP-Schalter werden zum Konfigurieren des D-Fi™ verwendet und die D-Fi™-Signalanzeige stellt Informationen zum D-Fi™-Signal bereit. Für nähere Informationen siehe [D-Fi™-Konfiguration](#).

Die LED-Anzeige und die Anzeige-LEDs zeigen Informationen zur aktuellen Programmauswahl und zum Betrieb an.

- Die LED-Anzeige zeigt unterschiedliche Arten von Informationen im Programm-Modus und Wiedergabe-Modus an.
- Die LEDs- der Fixture-Tasten zeigen an, wenn die Tasten **<FIXTURES>** und die entsprechenden Beleuchtungsgeräte ausgewählt sind.
- Die Strobe-LED zeigt an, dass der Stroboskopeffekt aktiviert ist, sowie die Blitzfrequenz.
- Die LED des D-Fi™-Signals zeigt den Status der D-Fi™-Kommunikation an.
- Die Seiten-LEDs zeigen an, welche Fade-Seite aktiviert ist.
- Die Fader-LEDs zeigen an, dass Fader speziell belegt sind.
- Die Nebel-LED zeigt an, dass die Nebelmaschine die korrekte Temperatur hat, um Nebel auszustoßen.

Beschreibungen der Steuerungsfunktionen

Taste oder Fader	Beschreibung
<FIXTURES 1>– <FIXTURES 12>	Tasten zur Auswahl der zu steuernden Leuchten und zum Einstellen der standardmäßigen DMX-Adressen der Kanal-Fader. Die entsprechenden LEDs zeigen an, wenn eine Leuchte ausgewählt ist. Hinweis: Diese Tasten sind enthalten. Durch Betätigen einer und dann der anderen Taste werden beide Leuchten ausgewählt. Um die Auswahl einer Leuchte aufzuheben, drücken Sie diese erneut und stellen sicher, dass die LED-Anzeige aus ist.
<Strobe>	Taste, die einen oder mehrere Stroboskopeffekte steuert; die Strobe-LED zeigt an, dass der Stroboskopeffekt aktiviert ist, sowie die Blitzfrequenz.
Einstellknopf für Musikempfindlichkeit	Knopf zum Einstellen der Musikempfindlichkeit des Geräts.
DIP-Schalter zum Einrichten des D-Fi™	DIP-Schalter für die Auswahl der D-Fi™-Kanäle und Modi.
<D-Fi™ Auto Sync>	Taste zum Synchronisieren des Obey™ 40 D-Fi 2.4 mit anderen D-Fi™-Geräten.
LED des D-Fi™-Signals	LED für die Anzeige des Status des D-Fi™-Signals.
<SCENES 1>– <SCENES 8>	Tasten zur Auswahl einer Szene, in die gespeichert bzw. aus der wiedergegeben werden soll. Diese werden zusammen mit <Bank Up> und <Bank Down> verwendet.
D-Fi™ Antenne	Antenne zur Übertragung von D-Fi™-Signalen.

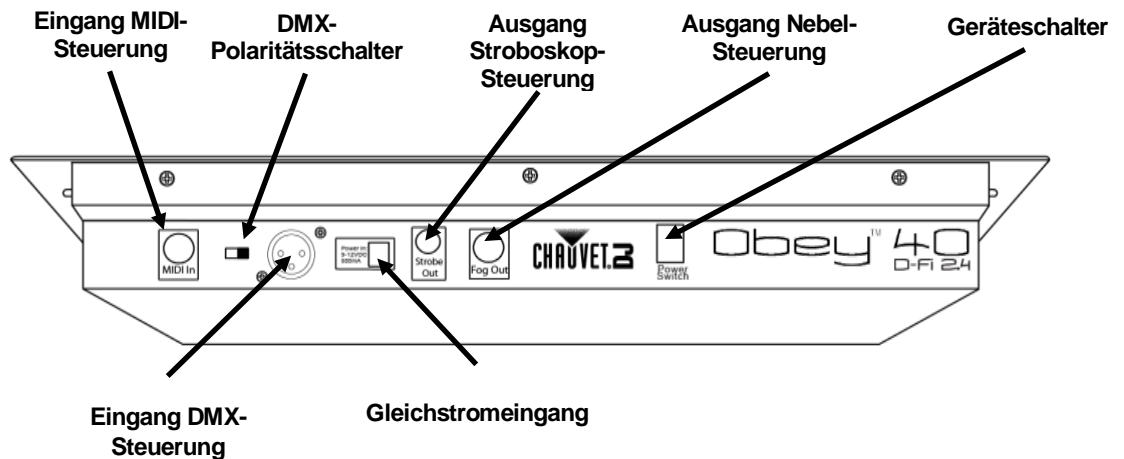
Beschreibungen der Steuerungsfunktionen

Taste oder Fader	Beschreibung
LCD-Anzeige	<p>Anzeige, die mehrere Arten von Informationen zur aktuellen Auswahl anzeigt, sowie ob sich das Gerät im Programm- oder Wiedergabe-Modus befindet.</p> <ul style="list-style-type: none"> · Step/Time – zeigt den aktuellen Chase und die Szene an, ausgenommen wenn die Fader bewegt werden. Dann wird der Wert des Faders angezeigt, der bewegt wird. · Blackout – zeigt an, dass der Verdunkelungs-Modus aktiviert ist und das Gerät keine DMX-Signale sendet. · Step – zeigt die aktuelle Szene im aktuellen Schritt des aktuellen Chase im Wiedergabe-Modus an; oder zeigt an, dass das Mischpult Schritte zu einem Chase im Programm-Modus hinzufügt. · Program – zeigt an, dass sich das Gerät im Programm-Modus befindet. · Music Trigger – zeigt an, dass sich das Gerät im Musiksteuerungs-Modus befindet. · Auto Trigger – zeigt an, dass sich das Gerät im Auto-Modus befindet. · Chase – zeigt das aktuelle Chase im Wiedergabe- oder Programm-Modus an. · Szene – zeigt die aktuelle Szene im Wiedergabe- oder Programm-Modus an. · Bank – zeigt den aktuellen Multiplexer im Wiedergabe- oder Programm-Modus an.
<Bank Up>	Taste, mit der durch die Multiplexer der Szenen oder durch die Schritte in einem Chase nach oben navigiert werden kann.
<Bank Down>	Taste, mit der durch die Multiplexer der Szenen oder durch die Schritte in einem Chase nach unten navigiert werden kann.
<Chase 1>– <Chase 6>	Tasten zur Auswahl eines Chase, in das gespeichert bzw. aus dem wiedergegeben werden soll.
<Fog>	Taste, die eine oder mehrere Nebelmaschinen steuert; ihre LED zeigt an, wenn sich die Nebelmaschine auf Betriebstemperatur befindet.
Fader-LEDs	LEDs, die anzeigen, dass die Fader der aktuellen Geräteauswahl speziell belegt (Fade/ausblenden) oder umgekehrt (Rev Channel/umgekehrter Kanal) sind.
Seiten-LEDs	LEDs, die anzeigen, welche Seite der Fader aktiv ist.
<Channel 1>– <Channel 16>	Kanal-Fader, die DMX-Werte an die Geräte senden. Wird zusammen mit <FIXTURES 1>– <FIXTURES 12> verwendet.
<Page Select>	Taste, mit der zwischen Seite A des Faders und Seite B des Faders umgeschaltet werden kann.
<Speed Time>	<p>Fader, mit dem die Geschwindigkeitszeit der Wiedergabe eingestellt wird – dies ist die Zeit des gesamten Chases, einschließlich aller Schritte.</p> <p>Die Geschwindigkeitszeiten der Wiedergabe können zwischen 10 Minuten und 0,1 Sekunden liegen. Die LED-Anzeige zeigt die Geschwindigkeitszeiten in Minuten und Sekunden an, während der Fader sich bewegt; nachdem der Fader bewegt wurde, werden wieder das aktuelle Chase, die Szene und der Multiplexer angezeigt.</p> <p>Die Anzeige zeigt die Zeit für den Fader wie folgt an:</p> <ul style="list-style-type: none"> · XX'XX – mit dem Punkt oben, zeigt Minuten und Sekunden an. · XX.XX – mit dem Punkt unten, zeigt Sekunden und Zehntel Sekunden an. <p>Der Fader wird auch zum Einstellen der Auswahl- und Einstelloptionen im Programm-Modus verwendet.</p>

Beschreibungen der Steuerungsfunktionen

Taste oder Fader	Beschreibung
<Fade Time>	<p>Fader, mit dem die Fade-Zeit der Wiedergabe eingestellt wird – dies ist die Zeit des Wechsels zwischen jedem Schritt des Chases.</p> <p>Geschwindigkeitszeiten der Wiedergabe können zwischen 0 Sekunden und 30 Sekunden liegen. Die LED-Anzeige zeigt die Fade-Zeiten in Sekunden an, während der Fader sich bewegt; nachdem der Fader bewegt wurde, werden wieder das aktuelle Chase, die Szene und der Multiplexer angezeigt.</p> <p>Die Anzeige zeigt die Zeit für den Fader wie folgt an:</p> <ul style="list-style-type: none"> · XX.XX – mit dem Punkt unten, zeigt Sekunden und Zehntel Sekunden an. <p>Der Fader wird auch zum Einstellen der Auswahl- und Einstelloptionen im Programm-Modus verwendet.</p>
<Program>	<p>Taste, mit der zwischen Mischpult-Eingang und -Ausgang des Programm-Modus gewechselt werden kann.</p>
<Midi/Add>	<p>Taste, mit der Szenen und Schritte zu Chases im Programm-Modus hinzugefügt werden; sie erlaubt die Auswahl eines MIDI-Kanals im MIDI-Modus.</p>
<Auto/Del>	<p>Taste, mit der der automatische Wiedergabe-Modus ausgewählt wird, bei dem das Wiedergabe-Timing mit den Fadern</p> <p><Speed Time> und <Fade Time> gesteuert wird. Diese Taste wird zum Löschen der Chases und Szenen im Programm-Modus verwendet.</p>
<Music/Bank Copy>	<p>Taste, mit der der Musiksteuerungs-Modus ausgewählt wird, bei dem das Wiedergabe-Timing durch den Takt der Musik gesteuert wird. Mit dieser Taste kopieren Sie außerdem einen ganzen Multiplexer mit Szenen im Programm-Modus.</p>
<Tap Sync/Display>	<p>Taste zum Einstellen des Tap Sync-Triggers, in dem die Wiedergabe durch Antippen der Taste gesteuert wird. Diese Taste wird außerdem für verschiedene Funktionen im Programm verwendet.</p>
<Blackout>	<p>Taste zum Hin- und Herschalten; hält die gesamte DMX-Übertragung an. Verdunkelt alle Leuchten. Hält den Stroboskopeffekt und den Nebel an. Bei Aktivierung der Verdunkelung wird auf der LED-Anzeige eine Kontrollleuchte angezeigt.</p>

Ansicht des rückwärtigen Bedienfelds



Anschlüsse des rückwärtigen Bedienfelds

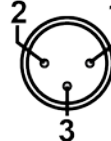
Anschluss	Funktion
Eingang MIDI-Steuerung	5-poliger MIDI-Anschluss für den Anschluss eines MIDI-Mischpults.
DMX-Polaritätsschalter	Umschalter zum Ändern der DMX-Polarität.
Ausgang Stroboskop-Steuerung	¼-Zoll Mono-Anschluss für den Anschluss eines oder mehrerer Strobes in Serienschaltung.
Ausgang Nebel-Steuerung	5-poliger DIM-Anschluss für den Anschluss einer oder mehrerer Nebelmaschinen.
Geräteschalter Ein/Aus	Mit diesem Umschalter lässt sich der Obey™ 40 D-Fi 2.4 ein- und ausschalten.
Eingang DMX-Steuerung	3-poliger DMX-Anschluss für den Anschluss der Geräte.
DC-Stromeingang	Externer PSU-Anschluss für den Anschluss an das Stromnetz.

DMX-Polarität

DMX Polarity Switch

1=ground ↔ 1=ground
 2=data+ 2=data-
 3=data- 3=data+

DMX Out



Alle Beleuchtungsgeräte von Chauvet verwenden einen negativen Pol 2 und einen positiven Pol 3, sodass der Polaritätsschalter wie oben und unter [Ansicht des rückwärtigen Bedienfelds](#) angezeigt eingestellt sein sollte (in Richtung des Anschlusses des DMX-Steuerungsausgangs). Beleuchtungsgeräte anderer Hersteller können davon abweichen. Spezifische Informationen finden Sie im Benutzerhandbuch der einzelnen Beleuchtungsgeräte.



Für weitere Informationen zu DMX laden Sie "DMX - Eine Einführung" unter www.chauvetlighting.com herunter.

3. EINRICHTEN DES GERÄTS

Wechselstrom Der Obey™ 40 D-Fi 2.4 verfügt über ein externes Vorschaltgerät, das automatisch die anliegende Spannung erkennt, sobald der Netzstecker in die Schukosteckdose gesteckt wird, und kann mit einer Eingangsspannung von 100 bis 240 V AC, 50/60 Hz arbeiten. Stromversorgung sind 9 VDC, 500 mA.

Bevor Sie den Strom einschalten, vergewissern Sie sich, dass die Netzspannung sich innerhalb des zulässigen Spannungsbereichs befindet, wie auf dem am Gerät angebrachten Typenschild oder unter [Technische Daten](#) in diesem Dokument angegeben. Die aufgeführten Nennwerte entsprechen dem durchschnittlichen Stromverbrauch des Geräts unter normalen Bedingungen.



Um unnötigen Verschleiß zu vermeiden und die Lebensdauer des Geräts zu verlängern, trennen Sie während längerer Perioden des Nichtgebrauchs das Gerät vom Stromnetz – entweder per Trennschalter oder durch Herausziehen des Steckers aus der Steckdose.



- **Schließen Sie dieses Gerät immer an einen geerdeten Stromkreis an.**
- **Schließen Sie dieses Gerät niemals an einen Stromkreis mit Dimmer oder Regelwiderstand an.**

Montage Der Obey™ 40 D-Fi 2.4 kann in jeder Position montiert werden; sorgen Sie jedoch immer für eine ausreichende Belüftung um das Produkt.

Einrichten des Mischpults Um den Obey™ 40 D-Fi 2.4 verwenden zu können, muss er für eine drahtlose D-Fi™-Nutzung konfiguriert bzw. per DMX-Kabel mit den anderen Geräten verbunden sein. Die Geräte müssen ebenfalls für eine drahtlose D-Fi™-Nutzung konfiguriert bzw. per DMX-Kabel verbunden sein. Die Geräte müssen auf die korrekten DMX-Adressen eingestellt werden.

In den folgenden Abschnitten finden Sie Hinweise zur [D-Fi™-Konfiguration](#), [DMX-Verkabelung](#), und [DMX-Adressierung](#).



Setzen Sie das Obey™ 40 D-Fi 2.4 vor einem erstmaligen Gebrauch zurück. Weitere Informationen sind im Abschnitt [Zurücksetzen des Mischpults](#) enthalten.

D-Fi™-Konfiguration Der D-Fi™ wird mit den DIP-Schaltern auf dem vorderen Bedienfeld über dem Knopf zum Einstellen der Musikempfindlichkeit konfiguriert. Der D-Fi™-Kanal kann manuell oder automatisch festgelegt werden. Der Obey™ 40 D-Fi 2.4 kann D-Fi™-Signale senden oder empfangen.



- **Bei fast jeder Nutzung des Obey™ 40 D-Fi 2.4 müssen D-Fi™-Signale gesendet werden.**
- **Das einzige Mal, wenn der Obey™ 40 D-Fi 2.4 für den Empfang von D-Fi™-Signalen konfiguriert werden sollte, ist bei einer Steuerung durch ein anderes System.**
- **Wenn der Obey™ 40 D-Fi 2.4 für den Empfang von D-Fi™-Signalen konfiguriert ist, kann er keine D-Fi™-Signale senden; er muss dann per DMX-Kabel mit den Geräten verbunden werden.**

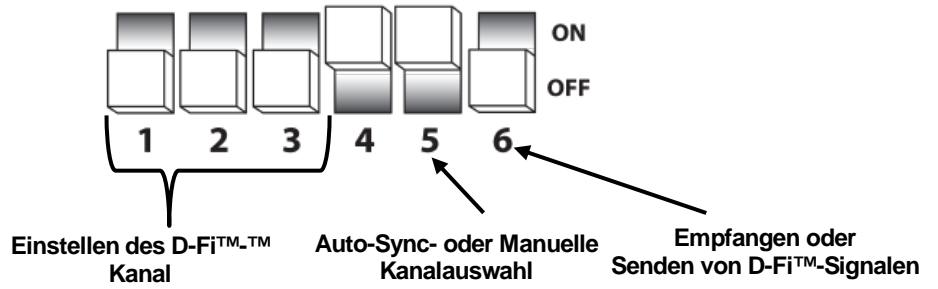
Hinweise zur Konfiguration Das Empfangen von D-Fi™-Signalen erfordert Folgendes:

- Der Obey™ 40 D-Fi 2.4 ist für das Senden konfiguriert.
- Die Geräte sind D-Fi™-fähig und für den Empfang konfiguriert.
- Der Obey™ 40 D-Fi 2.4 und die Geräte sind alle entweder auf Auto-Sync konfiguriert oder auf den gleichen Kanal per manueller Kanalauswahl eingestellt.
- Der Obey™ 40 D-Fi 2.4 ist mit einem Abstand von maximal 100 m von den D-Fi™-Leuchten aufgebaut.
- Zwischen dem Obey™ 40 D-Fi 2.4 und den Beleuchtungsgeräten, die das D-Fi™-Signal empfangen, befinden sich keine großen Konstruktionen, wie zum Beispiel Wände, große Betonteile oder Metallkonstruktionen.



Es wird die Manuelle Kanalauswahl empfohlen, grundsätzlich sind jedoch beide Modi geeignet.

DIP-Schalter Die 6 DIP-Schalter zur Konfigurierung des D-Fi™ am Obey™ 40 D-Fi 2.4 sind nachstehend angezeigt:



- Die DIP-Schalter 1 bis 4 stellen den D-Fi™-Kanal ein, aber der DIP-Schalter 5 muss sich in der Stellung „ON“ befinden, damit die DIP-Schalter 1 bis 4 aktiviert sind.
- Mit dem DIP-Schalter 5 wechseln Sie zwischen den D-Fi™-Kanalauswahl-Modi: Auto-Sync (OFF) und Manuell (ON).
- Mit dem DIP-Schalter 6 wechseln Sie zwischen Senden von D-Fi™-Signalen (ON) und Empfangen von D-Fi™-Signalen (OFF).

Eine Liste der DIP-Schalter-Kombinationen finden Sie unter [DIP-Schaltertabelle](#) in dieser Schnellanleitung oder auf der Unterseite des Obey™ 40 D-Fi 2.4.

DIP-Schaltertabelle

	D-Fi™-Kanal	Auto-Sync- oder Manuell	Senden oder Empfangen von D-Fi™-Signalen	D-Fi™-Kanal	Auto-Sync- oder Manuell	Senden oder Empfangen von D-Fi™-Signalen
Channel 1				Channel 11		
Channel 2				Channel 12		
Channel 3				Channel 13		
Channel 4				Channel 14		
Channel 5				Channel 15		
Channel 6				Channel 16		
Channel 7				Auto-Sync mode		
Channel 8				Transmit mode		
Channel 9				Receive mode		
Channel 10						

Verwendung der manuellen Kanalauswahl

Es wird die manuelle Kanalauswahl empfohlen. Es zeigt dem Obey™ 40 D-Fi 2.4, welcher Kanal für das Senden von D-Fi™-Signalen verwendet werden soll. Um die manuelle Kanalauswahl zum Konfigurieren von D-Fi™ zu verwenden, gehen Sie wie folgt vor:

1. Schalten Sie alle anderen D-Fi™-Geräte ein und stellen Sie alle auf den gleichen Kanal ein. Details zur Vorgehensweise finden Sie in den Bedienungsanleitungen jedes Geräts.
2. Schalten Sie den Obey™ 40 D-Fi 2.4 aus.
3. Stellen Sie das Mischpult mit den DIP-Schaltern auf den gleichen Kanal wie die Gerät ein. Für nähere Informationen siehe [DIP-Schaltertabelle](#).
4. Stellen Sie sicher, dass sich der DIP-Schalter Nr. 6 in der Stellung "ON" befindet.
5. Schalten Sie den Obey™ 40 D-Fi 2.4 ein. Die Signal-LED blinkt schnell.

Verwendung der Auto-Sync-Kanalauswahl

Durch die Auto-Sync-Kanalauswahl wird eine Vereinbarung zwischen dem Obey™ 40 D-Fi 2.4 und allen anderen D-Fi™-Geräten ausgelöst, sich auf einen Kanal für die D-Fi™-Übertragung festzulegen. Um die Auto-Sync-Kanalauswahl zum Konfigurieren von D-Fi™ zu verwenden, gehen Sie wie folgt vor:

1. Schalten Sie alle anderen D-Fi™-Geräte ein und stellen Sie alle auf Auto-Sync ein. Details zur Vorgehensweise finden Sie in den Bedienungsanleitungen jedes Geräts.
2. Schalten Sie den Obey™ 40 D-Fi 2.4 aus.
3. Um das Mischpult auf Auto-Sync einzustellen, stellen Sie den DIP-Schalter Nr. 5 in die Position "OFF".
4. Stellen Sie sicher, dass sich der DIP-Schalter Nr. 6 in der Stellung "ON" befindet.
5. Schalten Sie den Obey™ 40 D-Fi 2.4 ein. Die Signal-LED leuchtet dauerhaft.
6. Drücken Sie auf **<Auto>**, und halten Sie es für mindestens 15 Sekunden gedrückt. Die Signal-LED beginnt, schnell zu blinken, wenn das Mischpult mit anderen Geräten kommuniziert.
7. Halten Sie **<Auto>** weiterhin gedrückt, bis alle anderen D-Fi™-Geräte anzeigen, dass sie Signale empfangen. Weitere Informationen dazu finden Sie in den Bedienungsanleitungen jedes Geräts.



Bedienungsanleitungen der D-Fi™-Geräte von Chauvet finden Sie auf der Website unter <http://www.chauvetlighting.com/product-manuals-literature/>.



Der Obey™ 40 D-Fi 2.4 ist mit einem Abstand von maximal 100 m von anderen D-Fi™-empfangenden Geräten aufzustellen, und achten Sie darauf, dass zwischen dem Obey™ 40 D-Fi 2.4 und den anderen Geräten freie Sicht herrscht.



- **Richten Sie erst alle anderen Geräte ein, bevor Sie den Obey™ 40 D-Fi 2.4 einstellen.**
- **Stellen Sie sicher, dass der Obey™ 40 D-Fi 2.4 ausgeschaltet ist, bevor Sie die DIP-Schaltereinstellungen ändern.**

D-Fi™-Signalanzeige

Die D-Fi™-Signalanzeige stellt Informationen zum D-Fi™-Status des Obey™ 40 D-Fi 2.4 bereit. In der Tabelle unten sind die unterschiedlichen Stati der Anzeige und deren jeweilige Bedeutung aufgeführt.

Anzeige-LED	Modus	Bedeutung
Dauerhaft leuchtend	Auto-Synchronisierung	Noch keine Verbindung. Warten, bis Auto-Sync beendet ist
Langsames Blinken	Empfangen	Empfangsbereit
Schnelles Blinken	Empfangen	Daten werden empfangen
	Senden	Es wird gesendet oder das Gerät ist sendebereit.
	Auto-Synchronisierung	Verbindung wurde hergestellt. Die Auto-Synchronisierung ist beendet.

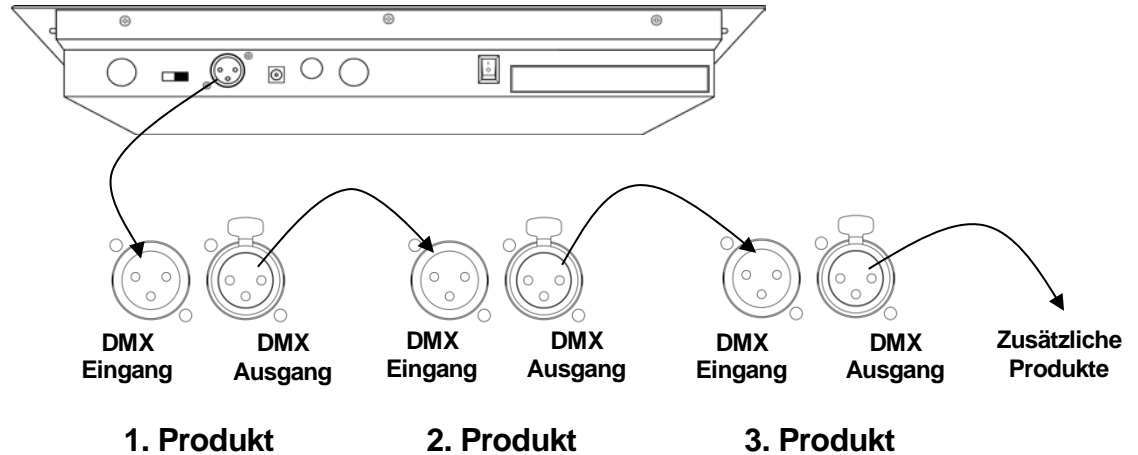
DMX-Verkabelung

Die DMX-Verkabelung kann neben einer D-Fi™-Übertragung oder statt einer D-Fi™-Übertragung (für nicht D-Fi™-fähige Geräte) verwendet werden. Verbinden Sie dazu das DMX-Kabel vom DMX-Ausgang des Mischpults mit dem DMX-Eingang des ersten Geräts in der Reihe.

Schließen Sie dann ein weiteres DMX-Kabel vom DMX-Ausgang des ersten Geräts in der Reihe kommend am DMX-Eingang des nächsten Geräts an.

Schließen Sie so alle weiteren Geräte an, bis alle angeschlossen sind.

Übersicht DMX-Verkabelung

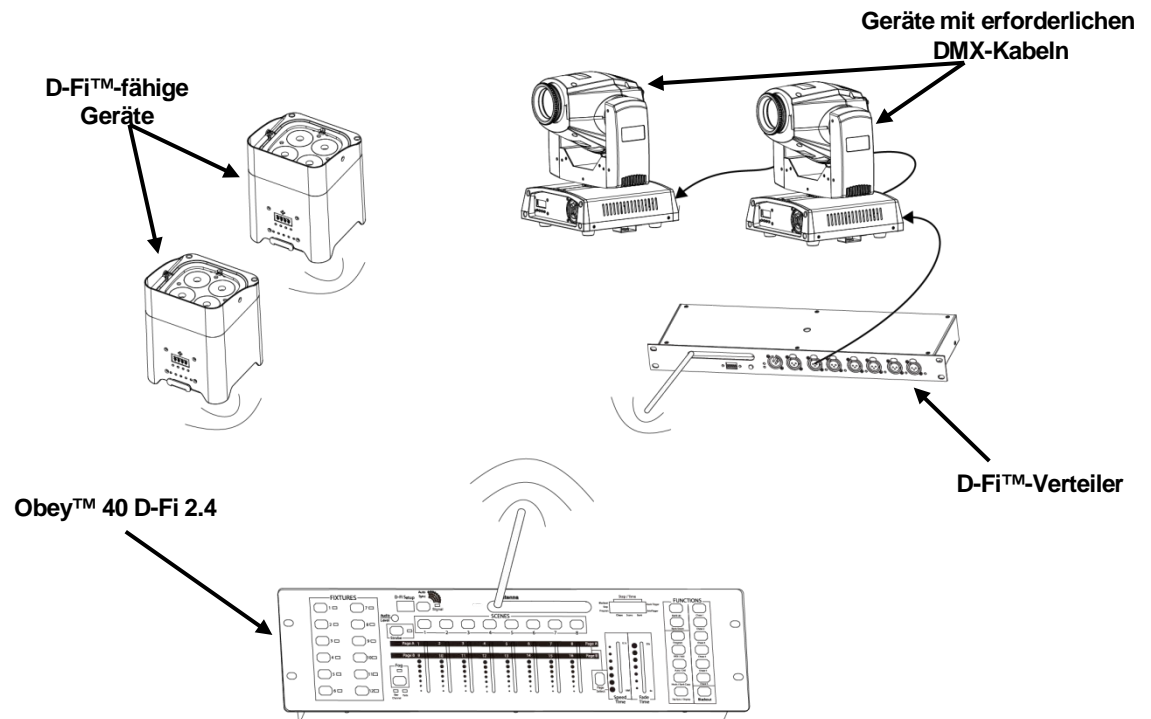


D-Fi™-Kommunikation

Die D-Fi™-Kommunikation kann allein oder gemeinsam mit der DMX-Verkabelung verwendet werden. D-Fi™-fähige Geräte empfangen das D-Fi™-Signal direkt vom Obey™ 40 D-Fi 2.4, und Geräte, für die eine DMX-Verkabelung erforderlich ist, können mit Geräten zur D-Fi™-Verteilung, wie z. B. den D-Fi™ Hub und den D-Fi™ Stream 6, angeschlossen werden; diese empfangen dann das D-Fi™-Signal und senden dieses per DMX-Kabel.

Geräte, bei denen eine DMX-Verkabelung erforderlich ist, können auch direkt am Obey™ 40 D-Fi 2.4 angeschlossen werden, wie oben unter [Übersicht DMX-Verkabelung](#) dargestellt.

D-Fi™-Schaltplan



DMX-Adressierung

Der Obey™ 40 D-Fi 2.4 verwendet eine DMX-Adressierung. Die Kontrollleuchten des Steuerungsfelds mit spezifischen DMX-Adressen und die Leuchten müssen korrekt adressiert sein, damit diese vom Steuerungsfeld gesteuert werden können.

Es können mehr als eine Leuchte die gleich DMX-Adresse aufweisen, dabei ist jedoch zu beachten, dass die Leuchten mit der gleichen DMX-Adresse über den gleichen Lichttyp verfügen.

Nachstehend ist eine Tabelle mit den DMX-Adressen des Obey™ 40 D-Fi 2.4 und den entsprechenden Gerätetasten abgebildet.

Übersicht DMX-Adressierung

Adresse	Gerätetaste
1-16	<FIXTURES 1>
17-32	<FIXTURES 2>
33-48	<FIXTURES 3>
49-64	<FIXTURES 4>
65-80	<FIXTURES 5>
81-96	<FIXTURES 6>
97-112	<FIXTURES 7>
113-128	<FIXTURES 8>
129-144	<FIXTURES 9>
145-160	<FIXTURES 10>
161-176	<FIXTURES 11>
177-192	<FIXTURES 12>

Nach erfolgter Adressierung der Produkte steuert das Mischpult diese mit den Tasten <FIXTURES>. Beispiel:

- Jedes Gerät bzw. die mit **49** adressierten Geräte werden über <FIXTURES 4> angesteuert.
- Jedes Gerät bzw. die mit **145** adressierten Geräte werden über <FIXTURES 10> angesteuert.

Fader und Seiten

Der Obey™ 40 D-Fi 2.4 verfügt über 8 Kanal-Fader auf 2 Fader-Seiten für insgesamt 16 Kanäle. Fader steuern unterschiedliche DMX-Adressen, je nachdem, welche Seite aktiv und welcher Geräteschalter gedrückt worden ist.

Seiten sind eine Methode zur Steuerung von 16 Kanälen mit nur 8 Kanal-Fadern. Bei einem Umschalten zwischen den Seiten wird zwischen den zwei DMX-Adressen für den Fader umgeschaltet. Wenn Seite A aktiv ist, haben die Fader die Zahlen 1-8. Wenn Seite B aktiv ist, haben die Fader die Zahlen 9-16.

Mit der Taste <Page Select> schalten Sie zwischen aktiven Seiten um. Die LEDs der Seite A und Seite B zeigen an, welche Seite aktiv ist.

Wenn Seite A aktiv ist, steuern die Kanal-Fader die ersten 8 DMX-Adressen der ausgewählten Leuchte.

Wenn Seite B aktiv ist, steuern die Kanal-Fader die zweiten 8 DMX-Adressen der ausgewählten Leuchte.

DMX-Adressen der Fader

Die standardmäßigen DMX-Adressen der Fader werden über eine Kombination aus den Tasten <FIXTURES> und Seite A oder Seite B bestimmt. Zum Beispiel:

- Wenn <FIXTURES 1> ausgewählt ist, sind die standardmäßigen DMX-Adressen der Kanal-Fader 1-16. DMX 1-8, wenn Seite A aktiv ist, und DMX 9-16, wenn Seite B aktiv ist.
- Wenn <FIXTURES 7> ausgewählt ist, sind die standardmäßigen DMX-Adressen der Kanal-Fader 97-112. DMX 97-104, wenn Seite A aktiv ist, und DMX 105-112, wenn Seite B aktiv ist.

Wenn 2 Fixtures-Tasten ausgewählt sind, hat jeder Fader 2 unterschiedliche standardmäßige DMX-Adressen. Beispiel:

- Wenn <FIXTURES 1> und <FIXTURES 7> ausgewählt sind, hat der Kanal-Fader 1 die DMX-Adressen 1 und 97.

Benutzerdefinierte Einstellung der Fader

Benutzerdefinierte Einstellungen der Fader stellen eine effektive Methode dar, die jedoch nicht erforderlich ist. Der Obey™ 40 D-Fi 2.4 kann auch ohne benutzerdefinierte Einstellung der Fader eine große Leuchtenreihe steuern.

Die benutzerdefinierte Einstellung der Fader kann auf zwei Arten erfolgen:

- Fader-Zuweisung, bei der die standardmäßige DMX-Adresse eines Kanal-Faders geändert wird.
- Fader-Umkehrung, bei der der Fader-Ausgang umgekehrt wird.

Bei einer Fader-Zuweisung wird DMX-Adresse eines Faders für eine Fixture-Taste geändert, sodass 2 Leuchten, die unterschiedlichen Fixture-Tasten zugewiesen sind und unterschiedliche DMX-Kanal-Konfigurationen haben, von einem einzelnen Kanal-Fader gesteuert werden können. Für weitere Informationen siehe [Erstellen einer Fader-Zuweisung](#).

Hinweis: Weitere Informationen zu DMX-Kanal-Konfigurationen finden Sie in der Bedienungsanleitung dieses Produkts.

Eine Fader-Umkehrung ändert die Reihenfolge der DMX-Werte, die als Kanal-Fader-Bewegungen gesendet werden. Im normalen Modus sendet ein Kanal-Fader einen höheren DMX-Wert als wenn er sich nach oben bewegt; dabei sendet er unten einen Wert von 0 und oben einen Wert von 255. Bei einer Fader-Umkehrung sendet er unten den Wert von 255 und oben den Wert 0. Für weitere Informationen siehe [Erstellen einer Fader-Umkehrung](#).

Die LEDs des Faders zeigen an, wenn ein Fader individuell eingestellt oder umgekehrt ist.

Erstellen einer Fader-Zuweisung

Eine Fader-Zuweisung liegt vor, wenn die standardmäßige DMX-Adresse eines Faders geändert wird. Eine Fader-Zuweisung ist in bestimmten Situationen eine wirksame Methode; sie ist jedoch nicht erforderlich.

Im Folgenden wird beschrieben, wie Sie eine Fader-Zuweisung für einen bestimmten Fader erstellen; Fader-Zuweisungen können jedoch für jeden Fader innerhalb jeder Fixture-Taste erstellt werden.

Um eine Fader-Zuweisung zu erstellen und die DMX-Adresse von **<FIXTURES 2> <Channel 7>** von 7 nach 5 zu ändern, gehen Sie wie folgt vor:

1. Drücken Sie gleichzeitig auf **<Program>** und **<Tap Sync/Display>**, um die benutzerdefinierte Einstellung der Fader-Zuweisung einzugeben.
2. Drücken Sie auf **<FIXTURES 2>**.
3. Prüfen Sie, ob **<FIXTURES 2>** die einzige ausgewählte Fixture-Taste ist, und drücken Sie auf eine der leuchtenden Fixture-Tasten, um ihre Auswahl aufzuheben.
4. Schieben Sie den Fader **<Speed Time>**, bis auf der LED-Anzeige **0707** angezeigt wird.
5. Schieben Sie **<Fade Time>**, bis auf der rechten Seite der LED-Anzeige **05** angezeigt wird.

Hinweis: Die LED-Anzeige zeigt 0705 an, weil 7 der benutzerdefiniert einzustellende Fader ist und 5 die DMX-Adresse, die Fader 7 zugewiesen wird.

6. Drücken Sie auf **<Midi/Add>**, um die Einstellung zu speichern.
7. Schieben Sie den Fader **<Speed Time>**, bis auf der LED-Anzeige **0505** angezeigt wird.
8. Schieben Sie den Fader **<Fade Time>**, bis auf der LED-Anzeige **0516** angezeigt wird.
9. Drücken Sie auf **<Midi/Add>**, um die Einstellung zu speichern.

Hinweis: Bei den Schritten 7–9 wird Fader 5 einer nicht genutzten DMX-Adresse neu zugewiesen, sodass Fader 5 und Fader 7 nicht beide gleichzeitig versuchen, Werte an die DMX-Adresse 5 zu senden.

10. Drücken Sie gleichzeitig auf **<Program>** und **<Tap Sync/Display>**, um die benutzerdefinierte Einstellung der Fader-Zuweisung zu beenden.

- **Jeder Kanal-Fader innerhalb einer Geräteauswahl kann Werte an nur eine DMX-Adresse senden. Wenn also die standardmäßige DMX-Adresse eines Faders neu zugewiesen wird, muss diesem Fader eine andere DMX-Adresse gegeben werden.**



- **Eine benutzerdefinierte Einstellung der Fader-Zuweisung kann nur durch ein weiches Zurücksetzen (Soft-Reset) entfernt werden. Beim Zurücksetzen des Mischpults werden jedoch alle anderen benutzerdefinierten Einstellungen und Programmierungen des Mischpults entfernt. Für weitere Informationen siehe [Zurücksetzen des Mischpults](#).**

Kopieren einer Fader-Zuweisung

Fader-Zuweisungen können von einer Fixture-Taste zur anderen kopiert werden. Um die benutzerdefinierte Einstellung des Faders von **<FIXTURES 2>** nach **<FIXTURES 11>** zu kopieren, gehen Sie wie folgt vor:

1. Drücken Sie gleichzeitig auf **<Program>** und **<Tap Sync/Display>**, um die benutzerdefinierte Einstellung der Fader-Zuweisung einzugeben.
2. Drücken Sie auf **<FIXTURES 2>** und halten Sie es gedrückt.
3. Halten Sie **<FIXTURES 2>** weiterhin gedrückt, und drücken Sie auf **<FIXTURES 11>** und halten Sie es gedrückt.
4. Halten Sie **<FIXTURES 2>** und **<FIXTURES 11>** weiterhin gedrückt, und drücken Sie auf **<Midi/Add>** und halten Sie es gedrückt.
5. Halten Sie **<FIXTURES 11>** und **<MIDI/Add>** weiterhin gedrückt, aber lassen Sie **<FIXTURES 2>** los.
6. Halten Sie **<Midi/Add>** weiterhin gedrückt, aber lassen Sie **<FIXTURES 11>** los.
7. Lassen Sie **<Midi/Add>** los.
8. Drücken Sie gleichzeitig auf **<Program>** und **<Tap Sync/Display>**, um die benutzerdefinierte Einstellung der Fader-Zuweisung zu beenden.



Durch das Kopieren einer benutzerdefinierten Einstellung der Fader-Zuweisung wird ein umgekehrter Fader nicht kopiert.

Erstellen einer Fader-Umkehrung

Eine Fader-Umkehrung liegt vor, wenn die Reihenfolge der von einem Fader gesendeten Werte umgekehrt ist. Anstatt den höchsten Wert zu senden, wenn der Fader aktiviert ist, sendet der umgekehrte Fader den niedrigsten Wert, wenn der Fader aktiviert ist.

Fader-Umkehrungen stellen eine effektive Methode dar, die jedoch nicht erforderlich ist.

Im Folgenden wird die Umkehrung eines spezifischen Faders beschrieben; es kann jedoch jeder Fader innerhalb jeder Fixture-Taste umgekehrt werden.

Um **<Channel 12>** auf **<FIXTURES 9>** umzukehren, gehen Sie wie folgt vor:

1. Drücken Sie gleichzeitig 2 Mal auf **<Program>** und **<Tap Sync/Display>**, um die benutzerdefinierte Einstellung der Fader-Umkehrung einzugeben.
2. Drücken Sie auf **<FIXTURES 9>**.
3. Schieben Sie den Fader **<Speed Time>**, bis auf der LED-Anzeige **12** angezeigt wird.
4. Schieben Sie **<Fade Time>** ganz nach oben, um die Fader-Umkehrung zu aktivieren. Das Zeichen rechts neben **12** auf der LED-Anzeige ändert sich.
5. Drücken Sie auf **<Midi/Add>**, um die Einstellung zu speichern.
6. Drücken Sie gleichzeitig 2-Mal auf **<Program>** und **<Tap Sync/Display>**, um die benutzerdefinierte Einstellung der Fader-Umkehrung zu beenden.

Zurücksetzen des Mischpults

Durch das Zurücksetzen des Mischpults werden alle benutzerdefinierten Einstellungen und Programmierungen gelöscht, und das Mischpult wird auf die Werkseinstellungen zurückgesetzt. Das Mischpult sollte für neue Shows, bei denen neue benutzerdefinierte Einstellungen und Konfigurationen erforderlich sind, zurückgesetzt werden. Das Zurücksetzen des Mischpults kann dazu genutzt werden, um Funktionsstörungen nach vielen benutzerdefinierten Einstellungen zu beheben.

Um das Mischpult zurückzusetzen, gehen Sie wie folgt vor:

1. Schalten Sie das Mischpult aus.
2. Drücken Sie gleichzeitig auf **<Bank Up>** und **<Auto/Del>** und halten Sie sie gedrückt.
3. Schalten Sie, während Sie weiterhin auf **<Bank Up>** und **<Auto/Del>** drücken, das Mischpult ein. Die LED-Anzeige blinkt, um einen erfolgreichen Vorgang anzuzeigen.



- **Durch das Zurücksetzen des Mischpults werden alle Szenen, Chases und benutzerdefinierten Einstellungen gelöscht.**
- **Das Zurücksetzen des Mischpults nimmt ca. 30 Sekunden in Anspruch.**

4. PROGRAMMIERUNG

Programm-Modus

Im Programm-Modus wird die Wiedergabe programmiert. Im Programm-Modus werden Beleuchtungseffekte erstellt und zur Wiedergabe abgespeichert. Es können drei Bereiche zur Wiedergabe programmiert werden.

1. Programmierung der Leuchten: Auswahl und Steuerung der Leuchten zur Erstellung von Effekten.
2. Programmierung von Szenen: Speichern der Effekte in die Szenen.
3. Programmierung von Chases: Speichern der Szenen in Chases.

Im nächsten Abschnitt wird beschrieben, wie Sie Leuchten, Szenen und Chases programmieren und Szenen sowie Chases ändern und löschen.



- **Leuchten können im Wiedergabe-Modus gesteuert werden, die im Wiedergabe-Modus erzeugten visuellen Effekte können jedoch nicht gespeichert werden.**

Aufrufen des Programm-Modus

Um den Programm-Modus aufzurufen, gehen Sie wie folgt vor:

1. Schalten Sie das Mischpult ein.
2. Drücken Sie auf **<Program>** und halten Sie es für 3 Sekunden gedrückt.
3. Die Kontrollleuchte des Programms in der oberen linken Ecke der LED-Anzeige leuchtet auf.
4. Lassen Sie **<Program>** los.

Beenden des Programm-Modus

Um den Programm-Modus zu beenden, gehen Sie wie folgt vor:

1. Drücken Sie auf **<Program>** und halten Sie es für 3 Sekunden gedrückt.
2. Die Kontrollleuchte des Programms in der oberen linken Ecke der LED-Anzeige geht aus und die Kontrollleuchte für die Verdunkelung leuchtet auf.
3. Lassen Sie **<Program>** los.



Die Verdunkelung wird immer dann aktiviert, wenn das Mischpult den Programm-Modus beendet. Die Verdunkelung muss deaktiviert sein, um die Beleuchtungseffekte zu sehen. Für weitere Informationen siehe [<Blackout>](#).

Programmierung der Leuchten

- I. Die Programmierung der Leuchten sorgt dafür, dass diese mit den Fadern gesteuert werden, um Farben, Positionen und Betriebsmodi einzustellen. Das Ergebnis der Steuerung von Leuchten wird als visueller Effekt bezeichnet.

Die Programmierung der Leuchten im Programm-Modus und die Erstellung von visuellen Effekten ist der erste Teil der Programmierung zur Wiedergabe.

Als Wiedergabe wird die Wiedergabe der programmierten visuellen Effekte für eine Show bezeichnet. Die visuellen Effekte werden aus Szenen und Chases wiedergegeben. Für weitere Informationen siehe [5. Wiedergabe](#). Leuchten können im Wiedergabe-Modus gesteuert werden, die im Wiedergabe-Modus erzeugten visuellen Effekte können jedoch nicht gespeichert werden.

- **Weitere Informationen zu DMX-Kanal-Zuweisungen finden Sie in der Bedienungsanleitung des Beleuchtungsgeräts. Bedienungsanleitungen für CHAUVET®-Produkte finden Sie auf der Website von Chauvet unter <http://www.chauvetlighting.com/product-manuals-literature/>.**



- **Die Programmierung zur Wiedergabe kann nur im Programm-Modus erfolgen.**
- **Die Fixture-Tasten sind inklusive. Es können gleichzeitig mehrere Leuchten ausgewählt sein. Achten Sie insbesondere auf die LEDs der Fixture-Tasten, da diese anzeigen, welche Leuchten ausgewählt sind.**
- **Es können gleichzeitig zwei Geräte programmiert werden; diese sollten jedoch über die gleichen DMX-Kanal-Zuweisungen verfügen.**
- **Die folgenden Hinweise beziehen sich auf bestimmte Leuchten, Szenen, Multiplexer und Szenen; die Vorgänge lassen sich jedoch auf alle Leuchten, Szenen, Multiplexer und Szenen übertragen.**

Programmierung von zwei Geräten

Bei der Programmierung von Geräten werden DMX-Werte an diese gesendet, um sie zu steuern und einen visuellen Effekt zu erstellen.

Die allgemeinen Schritte für die Programmierung von Geräten lauten wie folgt:

1. Rufen Sie den Programm-Modus auf.
2. Drücken Sie zum Auswählen eines oder mehrerer Geräte mindestens einmal auf die Tasten **<FIXTURE>**.
3. Bewegen Sie die Kanal-Fader, um das oder die Geräte zu steuern. Mit **<Page Select>** bewegen Sie sich zwischen den Fader-Seiten.
4. Wiederholen Sie die Schritte 2 bis 4 bei Bedarf für andere Geräte.
5. Speichern Sie den visuellen Effekt in einer Szene. Siehe [Erstellen einer Szene](#).
6. Verlassen Sie den Programm-Modus.

Hinweis: Wenn der visuelle Effekt nicht in eine Szene gespeichert wird, wird er beim Beenden des Programm-Modus gelöscht.

Die folgenden spezifischen Anweisungen beschreiben die Programmierung eines 12-Kanal-Geräts auf **<FIXTURES 3>** und eine 15-Kanal-Geräts auf **<FIXTURES 5>**.

1. Rufen Sie den Programm-Modus auf.
2. Drücken Sie auf **<FIXTURES 3>**. Dessen LED leuchtet auf und es ist ausgewählt.
3. Bewegen Sie einen der 8 Kanal-Fader, um DMX-Werte an die ersten 8 Kanäle von **<FIXTURES 3>** zu senden. Die Leuchte reagiert auf die Fader.
4. Drücken Sie auf **<Page Select>**. Die **Page B-LED** leuchtet auf und die **Page A-LED** geht aus. Die Seite B des Faders ist nun aktiv.
5. Bewegen Sie einen der ersten 4 Kanal-Fader, um DMX-Werte an die letzten 4 Kanäle von **<FIXTURES 3>** zu senden; die Geräte reagieren auf die Fader.
6. Drücken Sie auf **<FIXTURES 5>**. Dessen LED leuchtet auf und es ist ausgewählt. Nun sind beide Leuchten ausgewählt.
7. Drücken Sie auf **<FIXTURES 3>**. Dessen LED geht aus, und es zeigt dadurch an, dass es nicht mehr ausgewählt ist. Nun ist nur **<FIXTURES 5>** ausgewählt.
8. Drücken Sie auf **<Page Select>**. Die **Page A-LED** leuchtet auf und die **Page B-LED** geht aus. Die Seite B des Faders ist nun aktiv.
9. Bewegen Sie einen der 8 Fader, um DMX-Werte an die ersten 8 Kanäle von **<FIXTURES 5>** zu senden. Die Leuchte reagiert auf die Fader.
10. Drücken Sie auf **<Page Select>**. Die **Page B-LED** leuchtet auf und die **Page A-LED** geht aus. Die Seite B des Faders ist nun aktiv.
11. Bewegen Sie einen der ersten 7 Fader, um DMX-Werte an die letzten 7 Kanäle von **<FIXTURES 5>** zu senden. Die Leuchte reagiert auf die Fader.
12. Wiederholen Sie die Schritte 2 bis 11 bei Bedarf für andere Geräte.
13. Speichern Sie den visuellen Effekt in einer Szene. Siehe [Erstellen einer Szene](#).

Hinweis: Wenn der visuelle Effekt nicht in eine Szene gespeichert wird, wird er beim Beenden des Programm-Modus gelöscht.

II. Programmierung von Szenen

Die Programmierung von Szenen bedeutet das Speichern visueller Effekte in Szenen.

Die Programmierung von Szenen ist der zweite Teil der Programmierung zur Wiedergabe. Und sie kann der letzte Teil sein, weil Szenen wiedergegeben werden können, ohne Teil eines Chases zu sein. Für weitere Informationen siehe [Szenen-Wiedergabe](#).

Der Obey™ 40 D-Fi™ 2.4 verfügt über 30 Multiplexer mit jeweils 8 Szenen, sodass das Speichern eine Szene auch die Auswahl des Multiplexers und der Szene umfasst.



Bei der Wiedergabe von Szenen werden diese in der Reihenfolge der Nummern, nach Multiplexer, wiedergegeben. Stellen Sie daher bei der Programmierung der Wiedergabe einer Szene sicher, dass die Änderungen von Szene 1 nach Szene 2 nach Szene 3 sinnvoll sind.

Erstellen einer Szene

Beim Erstellen einer Szene wird der visuelle Effekt in der Szenen-Taste gespeichert, damit der Effekt im Wiedergabe-Modus wiedergegeben werden kann. Die allgemeinen Schritte für das Erstellen einer Szene lauten wie folgt:

1. Rufen Sie den Programm-Modus auf.
2. Programmieren Sie die Geräte, um einen Effekt zu erstellen. Siehe [Programmierung von zwei Geräten](#).
3. Drücken Sie auf die Bank-Tasten, um den Multiplexer auszuwählen, in dem diese Szene erstellt wird. Auf der LED-Anzeige wird der aktuelle Multiplexer genau über dem Wort "Bank" angezeigt.
4. Speichern Sie den Effekt, indem Sie auf **<Midi/Add>** drücken und dann auf eine Scene-Taste innerhalb eines Multiplexers.
5. Wiederholen Sie die Schritte 2 bis 3 bei Bedarf für andere Effekte und Szenen.
6. Verlassen Sie den Programm-Modus.
7. Setzen Sie die Fader auf 0 zurück und deaktivieren Sie die Verdunkelung.

Die folgenden spezifischen Anweisungen beschreiben das Speichern eines Effekts als **<SCENES3>** von Multiplexer 15.

1. Rufen Sie den Programm-Modus auf.
2. Programmieren Sie ein oder mehrere Geräte, bis Sie mit dem Effekt zufrieden sind. Siehe [Programmierung von zwei Geräten](#).
3. Drücken Sie 2 Mal auf **<Midi/Add>**.
4. Drücken Sie auf **<Bank Up>** oder **<Bank Down>**, bis auf der LED-Anzeige genau über dem Wort "Bank" **15** angezeigt wird.
5. Drücken Sie auf **<SCENES 3>**. Die LED-Anzeige und die Geräte-LEDs blinken, um einen erfolgreichen Vorgang anzuzeigen.
6. Wiederholen Sie die Schritte 2 bis 5 bei Bedarf für andere Effekte und Szenen.
7. Verlassen Sie den Programm-Modus.
8. Setzen Sie die Kanal-Fader auf 0 zurück.
9. Drücken Sie auf **<Blackout>**, um die Verdunkelung zu deaktivieren und die DMX-Übertragung vom Mischpult zu erlauben.

Löschen einer Szene

Beim Löschen einer Szene wird der visuelle Effekt aus der Szenen-Taste entfernt, damit der Effekt nicht im Wiedergabe-Modus wiedergegeben werden kann.



Beim Löschen einer Szene, die als Schritt in einem Chase gespeichert wurde, wird auch der Schritt im Chase gelöscht.

Die allgemeinen Anweisungen für das Löschen einer Szene lauten wie folgt:

1. Rufen Sie den Programm-Modus auf.
2. Verwenden Sie die Bank-Tasten, um den Multiplexer aufzurufen, in dem die zu löschende Szene gespeichert ist. Auf der LED-Anzeige wird der aktuelle Multiplexer genau über dem Wort "Bank" angezeigt.
3. Speichern Sie die Szene, indem Sie auf **<Auto/Del>** drücken und dann auf die Scene-Taste.
4. Wiederholen Sie die Schritte 2 bis 3 bei Bedarf für andere Szenen.
5. Verlassen Sie den Programm-Modus.
6. Setzen Sie die Fader auf 0 zurück und deaktivieren Sie die Verdunkelung.

Hinweis: Eine Szene kann im Programm-Modus gelöscht werden, wenn diese im Wiedergabe-Modus aktiv ist.

Die folgenden spezifischen Anweisungen beschreiben das Löschen von **<SCENES 4>** von Multiplexer 2.

1. Rufen Sie den Programm-Modus auf.
2. Drücken Sie auf **<Bank Up>** oder **<Bank Down>**, bis auf der LED-Anzeige genau über dem Wort "Bank" **2** angezeigt wird.
3. Drücken Sie auf **<Auto/Del>** und halten Sie es gedrückt, und drücken Sie dann auf **<SCENES 4>**. Die LED-Anzeige und die Geräte-LEDs blinken, um einen erfolgreichen Vorgang anzuzeigen.
4. Wiederholen Sie die Schritte 2 bis 4 bei Bedarf für andere Szenen.
5. Verlassen Sie den Programm-Modus.
6. Setzen Sie die Kanal-Fader auf 0 zurück.

Drücken Sie auf **<Blackout>**, um die Verdunkelung zu deaktivieren und die DMX-Übertragung vom Mischpult zu erlauben.

Löschen eines Multiplexers von Szenen

Beim Löschen eines Multiplexers von Szenen werden alle 8 Szenen in einem Multiplexer gelöscht, sodass sie nicht im Wiedergabe-Modus wiedergegeben werden kann. Die allgemeinen Anweisungen für das Löschen eines Multiplexers von Szenen lauten wie folgt:

1. Rufen Sie den Programm-Modus auf.
2. Verwenden Sie die Bank-Tasten, um den zu löschenden Multiplexer aufzurufen. Auf der LED-Anzeige wird der aktuelle Multiplexer genau über dem Wort "Bank" angezeigt.
3. Drücken Sie gleichzeitig auf **<Auto/Del>** und **<Music/Bank Copy>** und halten Sie sie gedrückt. Die LED-Anzeige und die LEDs der Fixture-Tasten blinken, um einen erfolgreichen Vorgang anzuzeigen.
4. Wiederholen Sie die Schritte 2 bis 3 bei Bedarf für andere Multiplexer.
5. Verlassen Sie den Programm-Modus.
6. Setzen Sie die Fader auf 0 zurück und deaktivieren Sie die Verdunkelung.

Die folgenden spezifischen Anweisungen beschreiben das Löschen von Multiplexer 30.

1. Rufen Sie den Programm-Modus auf.
2. Drücken Sie auf **<Bank Up>** oder **<Bank Down>**, bis auf der LED-Anzeige genau über dem Wort "Bank" **30** angezeigt wird.
3. Drücken Sie gleichzeitig auf **<Auto/Del>** und **<Music/Bank Copy>** und halten Sie sie gedrückt. Die LED-Anzeige und die LEDs der Fixture-Tasten blinken, um einen erfolgreichen Vorgang anzuzeigen.
4. Wiederholen Sie die Schritte 2 bis 3 bei Bedarf für andere Multiplexer.
5. Verlassen Sie den Programm-Modus.
6. Setzen Sie die Kanal-Fader auf 0 zurück.
7. Drücken Sie auf **<Blackout>**, um die Verdunkelung zu deaktivieren und die DMX-Übertragung vom Mischpult zu erlauben.

Löschen aller Szenen

Beim Löschen aller Szenen werden all die Szenen entfernt, die in einem der Multiplexer gespeichert waren.

Um alle Szenen auf dem Mischpult, jedoch nicht die benutzerdefinierten Einstellungen des Faders zu löschen, gehen Sie wie folgt vor:

1. Schalten Sie das Mischpult aus.
2. Drücken Sie auf **<Bank Down>** und **<Program>** und halten Sie sie gedrückt.
3. Halten Sie **<Bank Down>** und **<Program>** weiterhin gedrückt und schalten Sie das Mischpult ein.
4. Halten Sie **<Bank Down>** und **<Program>** weiterhin gedrückt, bis die LED-Anzeige und die LEDs der Fixture-Tasten blinken.
5. Lassen Sie **<Bank Down>** und **<Program>** los.

III. Programmierung von Chases

Die Programmierung von Chases bedeutet ein Speichern der Szenen als Schritte in Chases.

Die Programmierung von Chases ist der dritte Teil der Programmierung zur Wiedergabe. Bevor Chases programmiert werden können, müssen Szenen bereits im Mischpult gespeichert sein.

Erstellen eines Chase aus einer einzelnen Szene

Das Erstellen eines Chase aus einer einzelnen Szene bedeutet, dass einzelne Szenen in einzelnen Schritten in einem Chase gespeichert werden; die Szenen können in den Schritten in jeder beliebigen Reihenfolge gespeichert werden.

Die allgemeinen Anweisungen für das Erstellen eines Chase aus einer einzelnen Szene lauten wie folgt:

1. Rufen Sie den Programm-Modus auf.
2. Drücken Sie auf eine Chase-Taste, um den zu erstellenden Chase auszuwählen.
3. Verwenden Sie die Bank-Tasten und die Scene-Tasten, um die Szene zu suchen, die als Schritt in einem Chase gespeichert wird. Auf der LED-Anzeige wird der aktuelle Multiplexer genau über dem Wort "Bank" angezeigt.
4. Drücken Sie 2 Mal auf **<Midi/Add>**, um die Szene in einem Schritt zu speichern.
5. Wiederholen Sie die Schritte 2 bis 4, um weitere Szenen zu den Schritten hinzuzufügen, oder die Schritte 2 bis 4, um weitere Chases hinzuzufügen.
6. Verlassen Sie den Programm-Modus.
7. Setzen Sie die Fader auf 0 zurück und deaktivieren Sie die Verdunkelung.

Hinweis: Szenen werden in Schritten in sequentieller Reihenfolge gespeichert: die erste im Chase gespeicherte Szene geht zu Schritt 1, die zweite im Chase gespeicherte Szene geht zu Schritt 2 usw.

Die folgenden spezifischen Anweisungen beschreiben das Erstellen von **<Chase 1>** als einen Chase mit 3 Schritten, bestehend aus **<SCENES 3>** aus Multiplexer 15, **<SCENES 4>** aus Multiplexer 2 und **<SCENES 8>** aus Multiplexer 1.

1. Rufen Sie den Programm-Modus auf.
2. Drücken Sie auf **<Chase 1>**.
3. Drücken Sie auf **<Bank Up>** oder **<Bank Down>**, bis auf der LED-Anzeige genau über dem Wort "Bank" **15** angezeigt wird.
4. Drücken Sie auf **<SCENES 3>**. Die Leuchten zeigen **<SCENES 3>** in Multiplexer 15 an.
5. Drücken Sie 2 Mal auf **<Midi/Add>**. Die LED-Anzeige und die LEDs der Fixture-Tasten blinken, um einen erfolgreichen Vorgang anzuzeigen.
6. Drücken Sie auf **<Bank Up>** oder **<Bank Down>**, bis auf der LED-Anzeige genau über dem Wort "Bank" **2** angezeigt wird.
7. Drücken Sie auf **<SCENES 4>**. Die Leuchten zeigen **<SCENES 4>** in Multiplexer 2 an.
8. Drücken Sie 2 Mal auf **<Midi/Add>**. Die LED-Anzeige und die LEDs der Fixture-Tasten blinken, um einen erfolgreichen Vorgang anzuzeigen.
9. Drücken Sie auf **<Bank Up>** oder **<Bank Down>**, bis auf der LED-Anzeige genau über dem Wort "Bank" **1** angezeigt wird.
10. Drücken Sie auf **<SCENES 8>**. Die Leuchten zeigen **<SCENES 8>** in Multiplexer 1 an.
11. Drücken Sie 2 Mal auf **<Midi/Add>**. Die LED-Anzeige und die LEDs der Fixture-Tasten blinken, um einen erfolgreichen Vorgang anzuzeigen.
12. Wiederholen Sie die Schritte 3 bis 11 bei Bedarf für andere Schritte oder wiederholen Sie die Schritte 2 bis 11 bei Bedarf für andere Schritte.
13. Verlassen Sie den Programm-Modus.
14. Setzen Sie die Kanal-Fader auf 0 zurück.
15. Drücken Sie auf **<Blackout>**, um die Verdunkelung zu deaktivieren und die DMX-Übertragung vom Mischpult zu erlauben.

Erstellen eines Chase aus einem Multiplexer von Szenen

Eine schnelle und effiziente Methode der Programmierung ist die Erstellung von 8 visuellen Effekten in 8 Szenen eines Multiplexers und die anschließende Speicherung des gesamten Multiplexers in einen Chase. Die Szenen werden in der zahlenmäßigen Reihenfolge 1, 2, 3, 4, 5, 6, 7, 8, in einer Schleife wiedergegeben.

Die allgemeinen Anweisungen für das Erstellen eines Chase aus einem Multiplexer von Szenen lauten wie folgt:

1. Rufen Sie den Programm-Modus auf.
2. Drücken Sie auf eine Chase-Taste, um den zu erstellenden Chase auszuwählen.
3. Drücken Sie auf die Bank-Tasten, um den Multiplexer auszuwählen, der in den Chase gespeichert wird. Auf der LED-Anzeige wird der aktuelle Multiplexer genau über dem Wort "Bank" angezeigt.
4. Drücken Sie gleichzeitig auf **<Music/Bank Copy>** und **<MIDI/Add>**.
5. Wiederholen Sie die Schritte 3 bis 4 bei Bedarf, um weitere Multiplexer zum aktuell ausgewählten Chase hinzuzufügen, oder wiederholen Sie die Schritte 2 bis 4 bei Bedarf für andere Chases.
6. Verlassen Sie den Programm-Modus.
7. Setzen Sie die Fader auf 0 zurück und deaktivieren Sie die Verdunkelung.

Die folgenden spezifischen Anweisungen beschreiben das Erstellen von **<Chase 5>** aus den Szenen in Multiplexer 12.

1. Rufen Sie den Programm-Modus auf.
2. Drücken Sie auf **<Chase 5>**.
3. Drücken Sie auf **<Bank Up>** oder **<Bank Down>**, bis auf der LED-Anzeige genau über dem Wort "Bank" **12** angezeigt wird.
4. Drücken Sie gleichzeitig auf **<Music/Bank Copy>** und **<MIDI/Add>**. Die LED-Anzeige und die LEDs der Fixture-Tasten blinken, um einen erfolgreichen Vorgang anzuzeigen.
5. Wiederholen Sie die Schritte 3 bis 4 bei Bedarf, um weitere Multiplexer zum aktuell ausgewählten Chase hinzuzufügen, oder wiederholen Sie die Schritte 2 bis 4 bei Bedarf für andere Chases.
6. Verlassen Sie den Programm-Modus.
7. Setzen Sie die Kanal-Fader auf 0 zurück.
8. Drücken Sie auf **<Blackout>**, um die Verdunkelung zu deaktivieren und die DMX-Übertragung vom Mischpult zu erlauben.

Ändern eines Chase

Beim Ändern eines Chase wird ein Schritt in die Mitte eines Chase eingefügt oder ein Chase entfernt.

Hinweis: Um einen Schritt am Ende eines Chase hinzuzufügen, befolgen Sie die Anweisungen unter [Erstellen eines Chase aus einer einzelnen Szene](#).

Hinzufügen eines Schritts zu einem Chase

Beim Hinzufügen eines Schritts zu einem Chase wird dieser in die Mitte eines Chase eingefügt. Um einen Schritt am Ende eines Chase hinzuzufügen, befolgen Sie die Anweisungen unter [Erstellen eines Chase aus einer einzelnen Szene](#). Die allgemeinen Anweisungen für das Einfügen eines Schritts in die Mitte eines Chase lauten wie folgt:

1. Rufen Sie den Programm-Modus auf.
2. Drücken Sie auf die Chase-Tasten, um den Chase auszuwählen, zu dem diese Szene hinzugefügt wird.
3. Drücken Sie auf die Bank-Tasten, um den Multiplexer auszuwählen, der die hinzuzufügende Szene enthält. Auf der LED-Anzeige wird der aktuelle Multiplexer genau über dem Wort "Bank" angezeigt.
4. Drücken Sie auf **<Tap Sync/Display>**, damit auf der Anzeige die Schritte in der ausgewählten Szene erscheint.
5. Drücken Sie auf die Bank-Tasten, um den Schritt des Chase auszuwählen, nach dem der neue Schritt eingefügt wird. Auf der LED-Anzeige wird der aktuelle Schritt genau über dem Wort "Scene" angezeigt.
6. Drücken Sie auf **<MIDI/Add>** und dann die Scene-Taste, die im Schritt gespeichert wird.
7. Wiederholen Sie die Schritte 3 bis 6 bei Bedarf für andere Schritte oder wiederholen Sie die Schritte 2 bis 6 bei Bedarf für andere Chases.
8. Verlassen Sie den Programm-Modus.
9. Setzen Sie die Fader auf 0 zurück und deaktivieren Sie die Verdunkelung.

Die folgenden spezifischen Anweisungen beschreiben, wie **<SCENES8>** vom Multiplexer 12 zum vorhandenen **<Chase 5>** nach Schritt 4 eingefügt wird.

1. Rufen Sie den Programm-Modus auf.
2. Drücken Sie auf **<Chase 5>**.
3. Drücken Sie auf **<Bank Up>** oder **<Bank Down>**, bis auf der LED-Anzeige genau über dem Wort "Bank" **12** angezeigt wird. Das Mischpult befinden sich nun im Multiplexer 12.
4. Drücken Sie auf **<Tap Sync/Display>**.
5. Drücken Sie auf **<Bank Up>** oder **<Bank Down>**, bis auf der LED-Anzeige genau über dem Wort "Bank" **4** angezeigt wird. Das Mischpult befinden sich nun im Schritt 4 von **<Chase 5>**.
6. Drücken Sie auf **<MIDI/Add>**.
7. Drücken Sie auf **<SCENES 8>**.
8. Drücken Sie auf **<MIDI/Add>**. Die LED-Anzeige und die LEDs der Fixture-Tasten blinken, um einen erfolgreichen Vorgang anzuzeigen.
9. Wiederholen Sie die Schritte 3 bis 8 bei Bedarf für andere Schritte oder wiederholen Sie die Schritte 2 bis 8 bei Bedarf für andere Chases.
10. Verlassen Sie den Programm-Modus.
11. Setzen Sie die Kanal-Fader auf 0 zurück.
12. Drücken Sie auf **<Blackout>**, um die Verdunkelung zu deaktivieren und die DMX-Übertragung vom Mischpult zu erlauben.

Löschen eines Schritts aus einem Chase

Beim Löschen eines Schritts aus einem Chase wird ein Schritt aus einem Chase entfernt; allerdings wird dabei nicht die in diesem Schritt gespeicherte Szene entfernt.



Beim Löschen eines Schritts aus einem Chase wird nicht die Szenen in diesem Schritt gelöscht. Die Szene bleibt erhalten und kann in andere Chases gespeichert oder selbst wiedergegeben werden. Hinweise zum Löschen einer Szene finden Sie unter [Löschen einer Szene](#).

Die allgemeinen Anweisungen für das Löschen eines Schritts lauten wie folgt:

1. Rufen Sie den Programm-Modus auf.
2. Drücken Sie auf die Chase-Tasten, um den Chase auszuwählen, aus dem der Schritt gelöscht wird.
3. Wählen Sie mit den Bank-Tasten den zu löschenden Schritt aus. Auf der LED-Anzeige wird der aktuelle Schritt genau über dem Wort "Bank" angezeigt.
4. Drücken Sie auf **<Auto/Del>**, um den Schritt zu löschen.
5. Wiederholen Sie die Schritte 3 bis 4 bei Bedarf für andere Schritte oder wiederholen Sie die Schritte 2 bis 4 bei Bedarf für andere Chases.
6. Verlassen Sie den Programm-Modus.
7. Setzen Sie die Fader auf 0 zurück und deaktivieren Sie die Verdunkelung.

Die folgenden spezifischen Anweisungen beschreiben das Löschen von Schritt 5 aus **<Chase 5>**.

1. Rufen Sie den Programm-Modus auf.
2. Drücken Sie auf **<Chase 5>**.
3. Drücken Sie auf **<Tap Sync/Display>**.
4. Drücken Sie auf **<Bank Up>** oder **<Bank Down>**, bis auf der LED-Anzeige genau über dem Wort "Bank" **5** angezeigt wird.
5. Drücken Sie auf **<Auto/Del>**. Die LED-Anzeige und die LEDs der Fixture-Tasten blinken, um einen erfolgreichen Vorgang anzuzeigen.
6. Wiederholen Sie die Schritte 3 bis 5 bei Bedarf für andere Schritte oder wiederholen Sie die Schritte 2 bis 5 bei Bedarf für andere Chases.
7. Verlassen Sie den Programm-Modus.
8. Setzen Sie die Kanal-Fader auf 0 zurück.
9. Drücken Sie auf **<Blackout>**, um die Verdunkelung zu deaktivieren und die DMX-Übertragung vom Mischpult zu erlauben.

Löschen eines Chase

Beim Löschen eines Chase wird der gesamte Chase entfernt; allerdings werden dabei nicht die in diesem Chase gespeicherten Szenen entfernt. Die allgemeinen Anweisungen für das Löschen eines Chase lauten wie folgt:

1. Rufen Sie den Programm-Modus auf.
2. Drücken Sie auf die Chase-Tasten, um den Chase auszuwählen, der gelöscht wird.
3. Drücken Sie gleichzeitig auf **<Auto/Del>** und die Chase-Taste.
4. Wiederholen Sie die Schritte 2 bis 3 bei Bedarf für andere Chases.
5. Verlassen Sie den Programm-Modus.
6. Setzen Sie die Fader auf 0 zurück und deaktivieren Sie die Verdunkelung.

Die folgenden spezifischen Anweisungen beschreiben das Löschen von **<Chase 3>**.

1. Rufen Sie den Programm-Modus auf.
2. Drücken Sie auf **<CHASE 3>**.
3. Drücken Sie gleichzeitig auf **<Auto/Del>** und **<CHASE 3>**. Die LED-Anzeige und die LEDs der Fixture-Tasten blinken, um einen erfolgreichen Vorgang anzuzeigen.
4. Wiederholen Sie die Schritte 2 bis 3 bei Bedarf für andere Chases.
5. Verlassen Sie den Programm-Modus.

Löschen aller Chases

Beim Löschen aller Chases werden alle programmierten Chases vom Mischpult entfernt; allerdings werden dabei nicht die Szenen oder benutzerspezifische Einstellungen entfernt. Um alle Chases zu löschen, gehen Sie wie folgt vor:

1. Rufen Sie den Programm-Modus auf.
2. Drücken Sie gleichzeitig auf **<Auto/Del>** und **<Bank Down>**.
3. Schalten Sie das Mischpult aus, während Sie immer noch gleichzeitig **<Auto/Del>** und **<Bank Down>** gedrückt halten.
4. Schalten Sie das Mischpult ein.

5. WIEDERGABE

Wiedergabe-Modus

Die Wiedergabe wird zum Wiedergeben der gespeicherten Szenen und Chases verwendet. Dies ist der Modus, der zu verwenden ist, wenn die Show abläuft. Im Wiedergabe-Modus werden die gespeicherten Szenen und Chases für eine Wiedergabe ausgelöst. Es gibt 4 Arten der Wiedergabe.

- Szenen-Wiedergabe – Szenen können manuell und automatisch ausgelöst werden, wobei das Timing von den Fadern **<Speed Time>** und **<Fade Time>**, der Taste **<Tap Sync/Display>** oder durch den Takt der Musik festgelegt wird.
- Chase-Wiedergabe – Chases können automatisch ausgelöst werden, wobei das Timing von den Fadern **<Speed Time>** und **<Fade Time>**, der Taste **<Tap Sync/Display>** oder durch den Takt der Musik festgelegt wird.
- Live-Wiedergabe – Wiedergabe im Betrieb ist einer Live-Steuerung der Leuchten, identisch mit den Programmier-Leuchten, allerdings werden die visuellen Effekte nicht gespeichert.
- MIDI-Wiedergabe – Wiedergabe von Szenen und Chases wird durch eine MIDI-Eingabe auf dem Mischpult ausgelöst.

Es ist möglich, alle 4 Arten der Wiedergabe gleichzeitig zu verwenden.

Szenen-Wiedergabe

Die Szenen-Wiedergabe löst eine spezifische Szene oder Szenen für eine Wiedergabe aus. Eine Szene kann manuell durch Drücken einer Scene-Taste ausgelöst, und sie bleibt ausgewählt, bis eine andere Szene ausgewählt wird. Szenen in einem Multiplexer können eine nach der anderen in einer Schleife wiedergegeben werden, wobei das Timing von den Fadern **<Speed Time>** und **<Fade Time>**, der Taste **<Tap Sync/Display>** oder durch den Takt der Musik festgelegt wird.

Auf der LED-Anzeige wird die aktuelle Szene angezeigt.



- **Die Szenen werden in einer zahlenmäßigen Reihenfolge innerhalb eines Multiplexers wiedergegeben.**
- **Es kann jedoch jeweils nur ein Multiplexer wiedergegeben werden.**
- **Es werden nur programmierte Szenen wiedergegeben.**
- **Leere Szenen werden bei der Wiedergabe übersprungen.**

Manuelle Szenen-Wiedergabe

Bei einer manuellen Szenen-Wiedergabe wird eine einzelne Szene durch Drücken auf die Scene-Taste ausgelöst. Die allgemeinen Anweisungen für die manuelle Szenen-Wiedergabe lauten wie folgt:

1. Stellen Sie sicher, dass die Arten der Wiedergabe – automatische oder musikgesteuerte Auslösung – nicht ausgewählt sind.
2. Drücken Sie auf die Bank-Tasten, um den Multiplexer der Szene zu suchen, die ausgelöst wird.
3. Drücken Sie auf die Scene-Taste. Die Leuchten zeigen die programmierte Szene an. Die folgenden spezifischen Anweisungen beschreiben, wie **<SCENES 2>** in Multiplexer 2 und dann **<SCENES 8>** in Multiplexer 4 wiedergegeben werden.
 1. Stellen Sie sicher, dass die Arten der Wiedergabe – automatische oder musikgesteuerte Auslösung – nicht ausgewählt sind. Prüfen Sie dazu die LED-Anzeige, um zu sehen, ob die Kontrollleuchten für die automatische oder musikgesteuerte Auslösung nicht leuchten. Für weitere Informationen siehe [LCD-Anzeige](#).
 2. Wenn die Kontrollleuchte für die automatische Auslösung leuchtet, drücken Sie auf **<Auto/Del>**. Die Kontrollleuchte leuchtet auf.
 3. Wenn die Kontrollleuchte für die musikgesteuerte Auslösung leuchtet, drücken Sie auf **<Music/Bank Copy>**. Die Kontrollleuchte leuchtet auf.
 4. Drücken Sie auf **<Bank Up>** oder **<Bank Down>**, bis auf der LED-Anzeige genau über dem Wort "Bank" 2 angezeigt wird.
 5. Drücken Sie auf **<SCENES2>**. Die Leuchten zeigen **<SCENES 2>** an.
 6. Drücken Sie auf **<Bank Up>** oder **<Bank Down>**, bis auf der LED-Anzeige genau über dem Wort "Bank" 4 angezeigt wird.
 7. Drücken Sie auf **<SCENES 8>**. Die Leuchten zeigen **<SCENES 8>** an.

Automatische Szenen-Wiedergabe

Bei der automatischen Szenen-Wiedergabe wird die Wiedergabe des gesamten Multiplexers von 8 Szenen in Reihenfolge und als Schleife ausgelöst. D. h. die Szenen 1, 2, 3, 4, 5, 6, 7, 8, 1, 2, usw., wobei die Länge der Szenen von **<Speed Time>** und die Szene-bis-Szene Fade-Zeit von **<Fade Time>** festgelegt wird. Die allgemeinen Anweisungen für die automatische Szenen-Wiedergabe lauten wie folgt:

1. Drücken Sie auf **<Auto/Del>**, um das Mischpult in die Arte der Wiedergabe "Automatische Auslösung" zu versetzen.
2. Drücken Sie auf die Bank-Tasten, um den Multiplexer der Szene auszuwählen, die wiedergegeben wird.
3. Stellen Sie die Geschwindigkeitszeit der Schleife mit **<Speed Time>** ein.
4. Stellen Sie die Fade-Zeit zwischen den Szenen mit **<Fade Time>** ein.

Die folgenden spezifischen Anweisungen beschreiben, wie alle Szenen in Multiplexer 3 mit einer Geschwindigkeitszeit von 8 Sekunden und einer Fade-Zeit von 0 wiedergegeben werden. Gehen Sie wie folgt vor:

1. Drücken Sie auf **<Auto/Del>**, damit die Kontrollleuchte für die automatische Auslösung aufleuchtet.
2. Schieben Sie die Fader **<Speed Time>** und **<Fade Time>** ganz nach unten.
3. Drücken Sie auf **<Bank Up>** oder **<Bank Down>**, bis auf der LED-Anzeige genau über dem Wort "Bank" **3** angezeigt wird. Die Leuchten zeigen entweder Szene 1 in Multiplexer 3 oder die aktuell in Multiplexer 3 ausgewählte Szene an.
4. Schieben Sie den Fader **<Speed Time>**, bis auf der LED-Anzeige **8.00** angezeigt wird. Die Leuchten beginnen sich durch die Szenen in Multiplexer 3 zu bewegen.



Das Mischpult kann jederzeit während der Wiedergabe zwischen den Auto-, Tap Sync- und Musiksteuerungs-Modi wechseln. Unabhängig davon, welche Taste gedrückt wurde, bestimmt die letzte die Art der von der Wiedergabe verwendete Auslösung.

Automatische Szenen-Wiedergabe mit Tap-Sync

Bei der automatischen Szenen-Wiedergabe mit Tap-Sync wird die Wiedergabe des gesamten Multiplexers von 8 Szenen in Reihenfolge und als Schleife ausgelöst. D. h. die Szenen 1, 2, 3, 4, 5, 6, 7, 8, 1, 2, usw., wobei die Länge der Szenen von **<Tap Sync/Display>** und die Szene-bis-Szene Fade-Zeit von **<Fade Time>** festgelegt wird. Die allgemeinen Anweisungen für die automatische Szenen-Wiedergabe mit Tap-Sync lauten wie folgt:

1. Stellen Sie sicher, dass sich das Mischpult in der Art der automatischen Wiedergabe befindet, indem Sie die Kontrollleuchte für die automatische Auslösung prüfen.
2. Drücken Sie auf die Bank-Tasten, um den Multiplexer der Szene auszuwählen, die wiedergegeben wird.
3. Drücken Sie mindestens 3 Mal auf **<Tap Sync/Display>** bei der gewünschten Geschwindigkeit.
4. Verwenden Sie **<Fade Time>**, um die Fade-Zeit zwischen den Szenen festzulegen.

Musikgesteuerte Szenen-Wiedergabe

Bei der musikgesteuerten Szenen-Wiedergabe wird die Wiedergabe des gesamten Multiplexers von 8 Szenen in Reihenfolge und als Schleife ausgelöst. D. h. die Szenen 1, 2, 3, 4, 5, 6, 7, 8, 1, 2, usw., wobei die Länge der Szenen durch den Takt der Musik und die Szene-bis-Szene Fade-Zeit von **<Fade Time>** festgelegt wird. Die allgemeinen Anweisungen für die musikgesteuerte Szenen-Wiedergabe lauten wie folgt:

Um alle Szenen in Multiplexer 3 wiederzugeben, wobei das Timing durch den Takt der Musik festgelegt wird, gehen Sie wie folgt vor:

1. Drücken Sie auf **<Music/Bank Copy>**, damit die Kontrollleuchte für die musikgesteuerte Auslösung aufleuchtet.
2. Drücken Sie auf die Bank-Tasten, um den Multiplexer der Szene auszuwählen, die wiedergegeben wird.
3. Verwenden Sie **<Fade Time>**, um die Fade-Zeit zwischen den Szenen festzulegen.

Wiedergabe von Chases

Die Chase-Wiedergabe löst ein Chase oder Chases für eine Wiedergabe aus. Chases werden manuell ausgelöst, führen jedoch als Schleife durch ihre Schritte, wobei das Timing vom Fader **<Speed Time>** oder über die Taste **<Tap Sync/Display>** oder durch den Takt der Musik festgelegt wird.

Die LED-Anzeige zeigt den aktuellen Chase und die Szene an, während der Chase als Schleife durch seine Schritte geführt wird.



- **Wenn mehr als ein Chase ausgelöst wird, ist der zuletzt gedrückte Chase der erste bei der Wiedergabe. Anschließend folgen die Chases in der nummerierten Reihenfolge.**
- **Die LED-Anzeige zeigt nicht die Nummern der Schritte an; allerdings wird der Chase und die Szene im aktuellen Schritt angezeigt.**

Automatische Chase-Wiedergabe

Bei der automatischen Chase-Wiedergabe werden einer oder mehrere Chases zur Wiedergabe ausgelöst, wobei die Länge der Schritte durch **<Speed Time>** und die Szene-bis-Szene Fade-Zeit von **<Fade Time>** festgelegt wird. Die allgemeinen Anweisungen für die automatische Chase-Wiedergabe lauten wie folgt:

1. Drücken Sie auf die Chase-Tasten, um den Chase auszuwählen, der wiedergegeben wird.
2. Drücken Sie auf **<Auto/Del>**.
3. Stellen Sie die Geschwindigkeitszeit der Schleife mit **<Speed Time>** ein.
4. Stellen Sie die Fade-Zeit zwischen den Szenen mit **<Fade Time>** ein.

Die folgenden spezifischen Anweisungen beschreiben, wie Sie **<Chase 1>** and **<Chase 2>** mit einer Geschwindigkeitszeit von 10 Sekunden und einer Fade-Zeit von 0 zur Wiedergabe auslösen. Gehen Sie wie folgt vor:

1. Schieben Sie die Fader **<Speed Time>** und **<Fade Time>** ganz nach unten.
2. Drücken Sie auf **<Chase 1>**.
3. Drücken Sie auf **<Chase 2>**.
4. Drücken Sie auf **<Auto/Del>**.
5. Schieben Sie eine Fader **<Speed Time>**, bis auf der LED-Anzeige **10.00** angezeigt wird. Die Leuchten beginnen sich durch die Chases zu bewegen, wobei sie mit den Schritten in **<Chase 2>** beginnen.



Das Mischpult kann jederzeit während der Wiedergabe zwischen den Auto-, Tap Sync- und Musiksteuerungs-Modi wechseln. Unabhängig davon, welche Taste gedrückt wurde, bestimmt die letzte die Art der von der Wiedergabe verwendete Auslösung.

Automatische Chase-Wiedergabe mit Tap Sync

Bei der automatischen Chase-Wiedergabe mit Tap Sync werden einer oder mehrere Chases zur Wiedergabe ausgelöst, wobei die Länge der Szenen durch **<Tap Sync/Display>** und die Szene-bis-Szene Fade-Zeit von **<Fade Time>** festgelegt werden. Die allgemeinen Anweisungen für die automatische Chase-Wiedergabe mit Tap-Sync lauten wie folgt:

1. Stellen Sie sicher, dass sich das Mischpult in der Art der automatischen Wiedergabe befindet, indem Sie die Kontrollleuchte für die automatische Auslösung prüfen.
2. Drücken Sie auf die Chase-Tasten, um den Chase auszuwählen, der wiedergegeben wird.
3. Drücken Sie mindestens 3 Mal auf **<Tap Sync/Display>** bei der gewünschten Geschwindigkeit.
4. Verwenden Sie **<Fade Time>**, um die Fade-Zeit zwischen den Szenen festzulegen.

Musikgesteuerte Chase-Wiedergabe

Bei der musikgesteuerten Chase-Wiedergabe werden einer oder mehrere Chases zur Wiedergabe ausgelöst, wobei die Länge der Szenen durch den Takt der Musik und die Szene-bis-Szene Fade-Zeit von **<Fade Time>** festgelegt werden. Die allgemeinen Anweisungen für die musikgesteuerte Szenen-Wiedergabe lauten wie folgt:

Um alle Szenen in Multiplexer 3 wiederzugeben, wobei das Timing durch den Takt der Musik festgelegt wird, gehen Sie wie folgt vor:

1. Drücken Sie auf **<Music/Bank Copy>**, damit die das Mischpult in den Musiksteuerungs-Modus wechselt. Die Kontrollleuchte für die musikgesteuerte Auslösung leuchtet auf.
2. Drücken Sie auf die Chase-Tasten, um den Chase auszuwählen, der wiedergegeben wird.
3. Verwenden Sie **<Fade Time>**, um die Fade-Zeit zwischen den Szenen festzulegen.

MIDI-Betrieb MIDI von einer externen Quelle kann zum Auslösen von Szenen und Chases zur Wiedergabe genutzt werden.

Verbinden Sie die MIDI-Quelle mit dem Obey™ mit einem 5-poligen MIDI-Kabel; der Obey™ 40 D-Fi™ 2.4 reagiert dann auf das MIDI-Signal.

In der folgenden Tabelle sind die Szenen und Chases aufgeführt, die von einer externen MIDI-Quelle ausgelöst werden können.

MIDI-Zuordnung	MIDI-Befehl	Funktion (schaltet die Auslösung ein und aus)
	00-07	Szenen 1–8, Multiplexer 1
	08-15	Szenen 1–8, Multiplexer 2
	16-23	Szenen 1–8, Multiplexer 3
	24-31	Szenen 1–8, Multiplexer 4
	21-39	Szenen 1–8, Multiplexer 5
	40-47	Szenen 1–8, Multiplexer 6
	48-55	Szenen 1–8, Multiplexer 7
	56-63	Szenen 1–8, Multiplexer 8
	64-71	Szenen 1–8, Multiplexer 9
	72-79	Szenen 1–8, Multiplexer 10
	80-87	Szenen 1–8, Multiplexer 11
	88-95	Szenen 1–8, Multiplexer 12
	96-103	Szenen 1–8, Multiplexer 13
	104-111	Szenen 1–8, Multiplexer 14
	112-119	Szenen 1–8, Multiplexer 15
	120	Chase 1
	121	Chase 2
	122	Chase 3
	123	Chase 4
	124	Chase 5
	125	Chase 6
	126	Verdunkelung

Nebelsteuerung

Der Obey™ 40 D-Fi™ 2.4 verfügt über eine eigene Nebeltaste, die mit den kompatiblen Nebelmaschinen von CHAUVET® funktioniert. Die verfügbaren Nebelmaschinen finden Sie auf der Website von Chauvet, unter www.chauvetlighting.com.

Zum Betrieb einer oder mehrerer Nebelmaschinen gehen Sie wie folgt vor:

1. Verbinden Sie die Nebelmaschinen mit dem Ausgang für die Nebelsteuerung auf der Rückseite des Geräts.

Hinweis: Weitere Informationen zum Verbinden einer oder mehrerer Nebelmaschinen finden Sie in der Bedienungsanleitung der Nebelmaschine.

2. Schalten Sie das oder die Nebelmaschinen ein.
3. Warten Sie, bis die <Fog>-LED aufleuchtet.
4. Drücken Sie auf <Fog>, um Nebel zu erzeugen.



Die <Fog>-LED zeigt an, dass die Nebelmaschine die maximale Temperatur erreicht hat und für den Nebel bereit ist. Wenn die LED nicht leuchtet, kann die Nebelmaschine dennoch Nebel erzeugen, jedoch nicht mit dem maximalen Ausstoß.

Stroboskop-Steuerung

Der Obey™ 40 D-Fi™ 2.4 verfügt über eine eigene Stroboskop-Taste, die mit den kompatiblen Strobe-Geräten von CHAUVET® funktioniert. Die verfügbaren Strobe-Geräte finden Sie auf der Website von Chauvet, unter www.chauvetlighting.com.

Zum Betrieb einer oder mehrerer Strobe-Geräte gehen Sie wie folgt vor:

1. Verbinden Sie das oder die Strobe-Geräte mit dem Ausgang für die Stroboskop-Steuerung auf der Rückseite des Obey™ 40 D-Fi™ 2.4.

Hinweis: Weitere Informationen zum Verbinden eines oder mehrerer Strobe-Geräte finden Sie in der Bedienungsanleitung des Strobe-Geräts.

2. Schalten Sie das oder die Strobe-Geräte ein.
3. Drücken Sie zum Starten des Stroboskopeffekts auf <Strobe>.

Hinweis: Die Strobe-Taste ist ein Taster. Die Leuchte sendet solange einen Stroboskopeffekt, wie diese Taste bzw. dieser Taster gedrückt wird. Wenn er nicht gedrückt wird, ist der Stroboskopeffekt nicht aktiv.



Die LED-Anzeige für die Strobe-Taste blinkt bei mit der gleichen Frequenz wie die Blitzfrequenz (Strobe).

Einstellknopf für Musikempfindlichkeit

Mit dem Einstellknopf für die Musikempfindlichkeit verändern Sie die Empfindlichkeit des Mischpults gegenüber der Musik. Wenn Sie den Knopf bis zum Anschlag im Uhrzeigersinn drehen, ist das Mischpult am empfindlichsten gegenüber der Musik.

6. TECHNISCHE INFORMATIONEN

Wartung Zum Erhalt der optimalen Leistungsfähigkeit und der Minimierung der Abnutzung sollten Sie Geräte häufig reinigen. Bei der Festlegung dieser Häufigkeit spielen Gebrauch und Umgebung eine wichtige Rolle. Im Allgemeinen sollten Geräte mindestens zweimal pro Monat gereinigt werden. Staubablagerungen reduzieren die Lichtabgabe und können zu Überhitzung führen. Dies kann die Lebensdauer des Leuchtmittels reduzieren und die mechanische Abnutzung beschleunigen. Vergewissern Sie sich vor der Wartung des Geräts, dass dieses ausgeschaltet ist.

1. Trennen Sie das Gerät vom Stromnetz.
2. Verwenden Sie einen Staubsauger (oder Druckluft) sowie eine weiche Bürste, um den Staub in den Lüftungsbereichen zu entfernen.
3. Reinigen Sie, sobald das Gerät auf Raumtemperatur abgekühlt ist, alle Linsen mit einem milden Glasreiniger oder mit Isopropylalkohol und einem weichen, faserfreien Baumwolltuch oder Linsenreinigungstuch.
4. Geben Sie die Lösung auf das Tuch und wischen Sie die Rückstände in Richtung der Außenseiten der Linsen ab.
5. Polieren Sie sorgfältig diese optischen Oberflächen, bis alle Schmutzfilme und Fasern verschwunden sind.



Trocknen Sie die Teile immer sorgfältig nach der Reinigung.

Technische Daten

GEWICHT UND ABMESSUNGEN

Länge	19 in (483 mm)
Breite	3,5 in (89 mm)
Höhe	6,7 in (171 mm)
Gewicht	5,7 lb (2,6 kg)

LEISTUNG

Nenneingangsspannung	9 VDC, 500 mA
Externes Vorschaltgerät	100-240 VAC, 50/60 Hz

INNEN/AUSSEN

Einstufung	Nur für den Innenbetrieb
------------	--------------------------

WÄRMEENTWICKLUNG

Maximale Umgebungstemperatur	104 °F (40 °C)
------------------------------	----------------

STEUERUNG UND PROGRAMMIERUNG

Datenausgang	3-poliges XLR-Kabel
Stiftkonfiguration für Daten	Pin 1 Erdung, Pin 2 (-), Pin 3 (+)
DMX-Steuerungsadressen, gesamt	192

BESTELLINFORMATIONEN

Obey™ 40 D-Fi™ 2.4	OBHEY40DFI2.4
Artikelnummer	09080697

DRAHTLOS

Betriebsfrequenz	2,433 bis 2,48 GHz
------------------	--------------------

GARANTIEBESTIMMUNGEN

Garantie	2-jährige eingeschränkte Garantie
----------	-----------------------------------



REKLAMA- TIONEN

Wenn Sie Unterstützung benötigen oder ein Gerät zurückgeben möchten:

- Wenn Sie Ihren Wohnsitz in den USA haben, wenden sich an Chauvet World Headquarters.
- Wenn Sie Ihren Wohnsitz in GB oder Irland haben, wenden Sie sich an Chauvet Europe Ltd.
- Wenn Sie Ihren Wohnsitz in Mexiko haben, wenden Sie sich an Chauvet Mexiko.
- Wenn Sie Ihren Wohnsitz in Benelux, wenden Sie sich an Chauvet Europe BVBA.
- Wenn Sie in einem anderen Land leben, wenden Sie sich NICHT an Chauvet. Wenden Sie sich stattdessen an Ihren lokalen Lieferanten. Unter www.chauvetlighting.com finden Sie die Lieferanten außerhalb der USA, GB, Irland, Mexiko oder Benelux.



Kunden außerhalb der USA, GB, Irland, Mexiko oder Benelux wenden sich an den aufgeführten Lieferanten und befolgen die Anweisungen zum Zurücksenden der Geräte von Chauvet. Um zu den Kontaktdaten zu gelangen, besuchen Sie bitte unsere Website unter www.chauvetlighting.com.

Nehmen Sie telefonisch Kontakt mit dem Technischen Support von Chauvet auf, und fordern Sie vor dem Verschicken eine Warenrücksendegenehmigungsnummer (RMA) an. Seien Sie darauf vorbereitet, die Modellnummer, Seriennummer und eine kurze Beschreibung des Grundes für das Zurückschicken angeben zu können.

Senden Sie die Ware frei, in der Originalverpackung und mit den originalen Zubehörteilen zurück. Chauvet lässt keine Retouren abholen.

Schreiben Sie die RMA gut leserlich auf die Verpackung. Chauvet weist alle Waren zurück, die keine RMA besitzen.



Schreiben Sie die RMA auf ein ordnungsgemäß angebrachtes Hinweisschild. Die RMA NICHT DIREKT auf den Karton schreiben.

Bevor Sie die Ware versenden, schreiben Sie klar und deutlich folgende Informationen auf einen Bogen Papier und legen ihn in die Verpackung.

- Ihr Name
- Ihre Adresse
- Ihre Telefonnummer
- RMA-Nummer
- Eine kurze Problembeschreibung

Achten Sie auf eine sachgemäße Verpackung der Ware. Schäden, die durch unsachgemäßes Verpacken entstanden sind, liegen in Ihrer Verantwortung. Eine FedEx-Verpackung oder doppelte Verpackung wird empfohlen.



Chauvet behält sich das Recht vor, nach eigenem Ermessen über Reparatur oder Ersatz der Ware zu befinden.

KONTAKT

WORLD HEADQUARTERS - Chauvet

Allgemeine Informationen

Adresse: 5200 NW 108th Avenue
Sunrise, FL 33351
Tel.: (954) 577-4455
Fax: (954) 929-5560
kostenfrei: (800) 762-1084

Technischer Support

Tel.: (954) 577-4455 (4 drücken)
Fax: (954) 756-8015
E-Mail: tech@chauvetlighting.com

World Wide Web www.chauvetlighting.com

GB UND IRLAND - Chauvet Europe Ltd.

Allgemeine Informationen

Adresse: Unit 1C
Brookhill Road Industrial Estate
Pinxton, Nottingham, GB
NG16 6NT
Tel.: +44 (0)1773 511115
Fax: +44 (0)1773 511110

Technischer Support

E-Mail: uktech@chauvetlighting.com

World Wide Web www.chauvetlighting.co.uk

MEXIKO - Chauvet Mexiko

Allgemeine Informationen

Adresse: Av. Santa Ana 30
Parque Industrial Lerma
Lerma, Mexico C.P. 52000
Tel.: +52 (728) 285-5000

Technischer Support

E-Mail: servicio@chauvet.com.mx

World Wide Web www.chauvet.com.mx

CHAUVET EUROPE - Chauvet Europe BVBA

Allgemeine Informationen

Adresse: Stokstraat 18
9770 Kruishoutem
Belgium
Tel.: +32 9 388 93 97

Technischer Support

Email: Eutech@chauvetlighting.eu

World Wide Web www.chauvetlighting.eu

Kunden außerhalb der USA, GB, Irland, Mexiko oder Benelux wenden sich an ihren Lieferanten. Befolgen Sie die Anweisungen zum Erhalt von Unterstützung oder zur Rückgabe eines Produkts. Um zu den Kontaktdaten zu gelangen, besuchen Sie bitte unsere Website.

1. VOORDAT U BEGINT

Wat is er inbegrepen

- Obey™ 40 D-Fi 2.4
- Externe stroomvoeding
- Garantiekaart
- Gebruikershandleiding

Uitpakinstructies Pak de Obey™ 40 D-Fi 2.4 voorzichtig uit en controleer of alle onderdelen in de verpakking in goede staat zijn.

Claims Als de doos, of een deel van de inhoud beschadigd lijkt te zijn door transport, bewaar dan alle verpakkingsmateriaal en dien onmiddellijk een schadeclaim in bij de vervoerder. Het niet onmiddellijk rapporteren van schade bij de vervoerder, dan wel het niet bewaren van alle verpakkingen, kan uw claim ongeldig maken.

Dien voor andere problemen, zoals ontbrekende onderdelen of delen, schade niet gerelateerd aan transport, of verborgen schade, binnen 7 dagen na levering een schadeclaim in bij c. Zie [Neem contact Op](#).



Herstel vóór gebruik het Obey™ 40 D-Fi 2.4. Zie voor meer informatie het [Resetten van het bord](#).

Conventies

Conventie	Betekenis
1—512	Een reeks waarden
50/60	Een set waarden
Pagina A	Er brandt een lampje op de console
15	Informatie die op het display wordt afgebeeld
Instellingen	Een menu-optie
Menu > Instellingen	Een reeks menuopties
<Enter>	Een knop

Symbolen

Conventie	Betekenis
	Kritieke informatie. Dit negeren kan storingen veroorzaken, het product beschadigen of de gebruiker verwonden.
	Belangrijke informatie. Dit negeren kan veroorzaken dat het product niet goed werkt.
	Nuttige informatie.

Disclaimer

De informatie en specificaties in deze gebruikershandleiding kunnen zonder voorafgaande kennisgeving worden gewijzigd. Chauvet aanvaardt geen verantwoordelijkheid of aansprakelijkheid voor fouten of ontbrekende informatie en behoudt zich het recht voor om deze handleiding op elk gewenst moment te herzien of recreëren. De nieuwste versie van deze handleiding is te downloaden op <http://www.chauvetlighting.com/product-manuals-literature/>.

© Copyright 2015 Chauvet. Alle rechten voorbehouden.

Afgedrukt in de Volksrepubliek China.

Elektronisch uitgegeven door Chauvet in de Verenigde Staten van Amerika.

Auteur	Datum	Redacteur	Datum
R. Isenstadt	25/3/2015	A. Leon	07/04/2015

Product in het kort	Gebruik op een dimmer	X	Automatisch programma	X
	Gebruik in de buitenlucht	X	Stroomvoeding met automatisch bereik	P
	Geluidsgeactiveerd	P	Vervangbare zekering	X
	DMX	P	Door de gebruiker te onderhouden	X
	Master/Slave	X		X

Veiligheidsinstructies Deze voorschriften bevatten belangrijke informatie over de montage, het gebruik en het onderhoud van dit product. Lees vóór het gebruik van dit product deze voorschriften.



- Sluit het product altijd aan op een geaard circuit om elektrocutierisico's uit te sluiten.
- Zorg ervoor dat het stroomsnoer niet knikt of beschadigd.
- Haal altijd de stekker van het product uit het stopcontact voordat u het reinigt of voor het vervangen van de zekering.
- Maak het product nooit van het stopcontact los door aan het snoer te rukken of te trekken.
- Als het product boven het hoofd wordt geplaatst, moet u altijd een veiligheidskabel gebruiken.
- Zorg ervoor dat er geen brandbare materialen in de buurt van het product zijn wanneer het in werking is.



- Het product is alleen geschikt voor gebruik binnenshuis! Het heeft een vermogen van IP20.
- Stel het product niet bloot aan regen of vocht.
- Zorg ervoor dat de spanning van de stroombron die voor het product wordt gebruikt binnen het vermelde bereik op het label of op het achterpaneel van het product ligt.
- Sluit het product nooit aan op een dimmer of een regelbare weerstand.
- Installeer het product op een locatie met voldoende ventilatie, en laat ten minste 50 cm afstand tussen het product en aangrenzende oppervlakken.
- Zorg ervoor dat de ventilatiesleuven op de behuizing van het product nooit geblokkeerd worden.
- Gebruik het product niet in een omgevingstemperatuur hoger dan 40 °C.
- Draag het product altijd aan zijn montagezijden.
- Stop direct met het gebruik van het product in geval van ernstige gebruiksproblemen.
- Repareer het product nooit zelf. Reparaties uitgevoerd door ongetrainde personen kunnen leiden tot schade of storingen.
- Als reparaties nodig zijn, neem dan contact op met het dichtstbijzijnde bevoegde technische hulpcentrum.
Zie [Neem contact Op](#) voor meer informatie.
- Sluit om onnodige slijtage te verhinderen en de levensduur te verlengen tijdens periodes van niet-gebruik het product via stroomonderbreker of de stekker volledig van stroom af.



Bewaar deze gebruikershandleiding voor toekomstige naslag. Als u het product verkoopt aan een andere gebruiker moet u deze handleiding aan de volgende eigenaar doorgeven.

2. INLEIDING

- Eigenschappen**
- Ingebouwde D-Fi™ zender
 - Werkt draadloos met alle D-Fi™-compatibele producten.
 - DMX-uitgang
 - Bedient tot wel 12 verschillende soorten lampen, met 16 kanalen per stuk
 - Bedient meerdere lampen tegelijkertijd
 - Opslag en afspelen van 240 scènes in 30 banken van 3 scènes elk
 - Opslag en afspelen van 6 achtervolgingen van 240 stappen elk
 - Aanvaardt faderaanpassingen
 - Speelt meerdere achtervolgingen achter elkaar af
 - Regelt lampen “met een druk op de knop” in de afspeelmodus
 - Schakelt achtervolgingen en scènes in met muziek, tiksynchronisatie of automatisch afspelen
 - Aanvaardt MIDI-invoer om scènes en achtervolgingen in te schakelen
 - Bedient nevelmachines en stroboscopen met aparte knoppen

Product- beschrijving

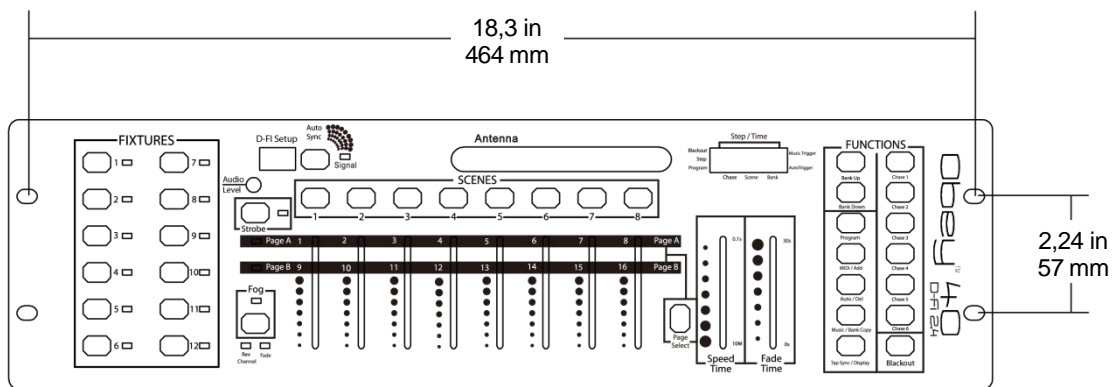
De Obey™ 40 D-Fi 2.4 (het bord) is een kleine, krachtige regelaar met een ingebouwde D-Fi™ zender waarmee het draadloos alle D-Fi™-compatibele producten kan aansturen.

Het heeft verschillende afspeelmodi en kan tot 192 DMX-kanalen aansturen die zijn gerangschikt in 12 groepen, die toegankelijk zijn met de <FIXTURES>-knoppen. Elke <FIXTURES>-knop is gekoppeld aan 16 vastgestelde DMX-kanalen. Deze 16 kanalen worden opgedeeld in 2 groepen, die toegankelijk zijn met <Page Select>, waardoor 8 fysieke faders 16 kanalen kunnen aansturen.

Montage

De Obey™ 40 D-Fi 2.4 heeft openingen voor montage in een standaard 19-inch rek. Het heeft ook rubberen voetjes zodat het op een tafelblad geplaatst kan worden. Het Obey™ D-Fi 2.4-bord moet binnen 90 m van de D-Fi™-producten worden geplaatst en waar geen grote obstakels zijn, zoals betonnen wanden of grote metalen constructies.

Montageafmetingen



Draadloze D-Fi™- concepten

De Obey™ 40 D-Fi 2.4 gebruikt een draadloze frequentie om DMX-signalen te versturen naar D-Fi™-compatibele producten, waardoor geen lange DMX-kabels meer nodig zijn. Het Obey™ 40 D-Fi 2.4-bord moet zich binnen 90 m van andere D-Fi™-producten bevinden en waar geen grote obstakels zijn, zoals betonnen wanden of grote metalen constructies. Als enkele van de producten verder dan 90 m weg staan kan een D-Fi™ distributor, zoals de CHAUVET® D-Fi Hub of D-Fi™ Stream 6 via DMX-kabels aan de lampen worden verbonden. De D-Fi™ distributor ontvangt de DMX-signalen draadloos via D-Fi™ en verstuurt ze via de DMX-kabels naar de lampen.

Programmerings- concepten

De Obey™ 40 D-Fi 2.4 gebruikt DMX-adressering en -waarden om producten te bedienen. Zie [DMX-adressering](#) en [DMX-adresseringsdiagram](#) voor informatie.

Voorstellingen worden gecreëerd door de faders te gebruiken om DMX-waarden naar de producten te zenden. De voorstellingen worden opgeslagen in scènes en de scènes worden als stappen in achterevoelingen opgeslagen. De scènes en achterevoelingen worden bij verschillende snelheden afgespeeld en met verschillende soorten triggers.

- Voorstellingen worden in de programmeringsmodus gecreëerd. De producten worden geselecteerd met de armatuurknoppen. Om de producten te bedienen en voorstellingen te creëren worden de faders bewogen. Daarna worden de voorstellingen opgeslagen in scènes met de scènekoppen en de scènes worden opgeslagen naar stappen in achterevoelingen met de achterevoelingsknoppen.
Zie [4. Programmeren](#) voor meer informatie.
- Scènes en achterevoelingen worden afgespeeld in de afspeelmodus. De scènes worden ingeschakeld met de scènekoppen en de achterevoelingen worden ingeschakeld met de achterevoelingsknoppen. De afspeeltiming wordt ingesteld met de snelheids- en tijdfaders, de tiksynchrisatiefunctie of MIDI-invoer. Zie [5. Afspelen](#) voor meer informatie.

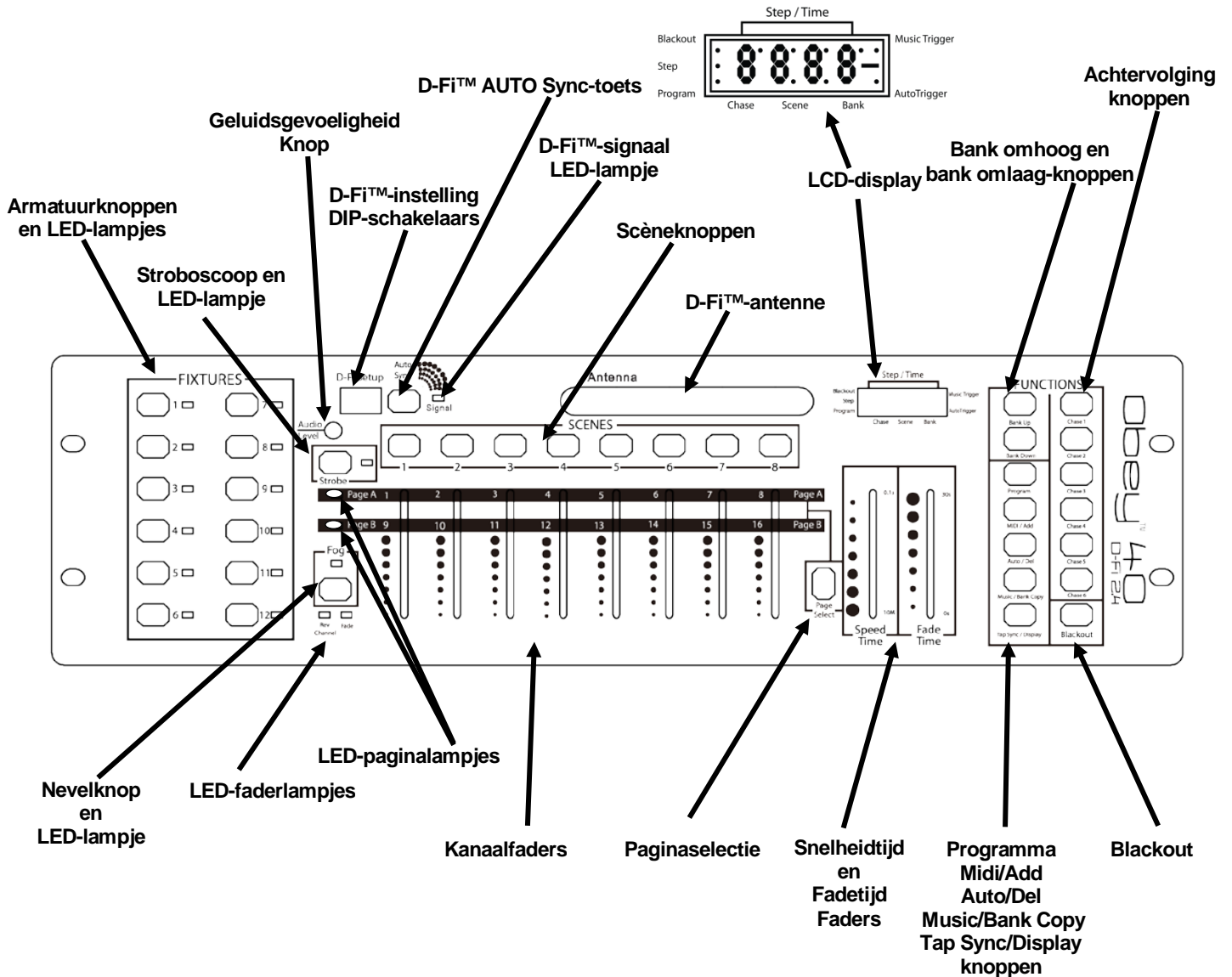


Voorstellingen kunnen worden gecreëerd in de afspeelmodus, maar ze kunnen niet afgespeeld worden.

Paneeloverzichten De Obey™ 40 D-Fi 2.4 is ontworpen met de knoppen <FIXTURES> aan de linkerkzijde, de DMX-faders in het midden, samen met de <SCENES>-knoppen en de afspelerbedieningselementen aan de rechterzijde.

Het achterpaneel van het bord heeft de poorten en de stroomaansluiting. Zie [Achterpaneelaanzicht](#) voor meer informatie over het achterpaneel.

Voorpaneelaanzicht



Bedienings- elementen van het voorpaneel

De bedieningselementen van het voorpaneel bieden toegang tot de D-Fi™-functies en alle programmerings- en afspelenbedieningselementen van de Obey™ 40 D-Fi 2.4. De DIP-schakelaars worden gebruikt voor het configureren van de D-Fi™ en het D-Fi™ -signaallampje geeft meer informatie over het D-Fi™-signaal. Zie voor meer informatie [D-Fi™-configuratie](#):

De LED-display en de LED-lampjes geven informatie over de huidige programmeringsselecties en bedieningen.

- De LED-display toont verschillende soorten informatie in de programmeringsmodus en de afspelenmodus.
- De LED-lampjes van de armatuurknoppen geven aan wanneer de knoppen <FIXTURES> en corresponderende lampen zijn geselecteerd.
- Het LED-stroboscooplampje geeft aan dat de stroboscoop aan staat en de frequentie waarmee het knippert.
- Het D-Fi™ signaallampje geeft de status aan van de D-Fi™-communicatie.
- De LED-paginalampjes geven aan welke faderpagina actief is.
- De LED-faderlampjes geven aan dat fader aan speciale toewijzing hebben.
- Het LED-nevellampje geeft aan dat de nevelmachine bij de juiste temperatuur is om de nevel te maken.

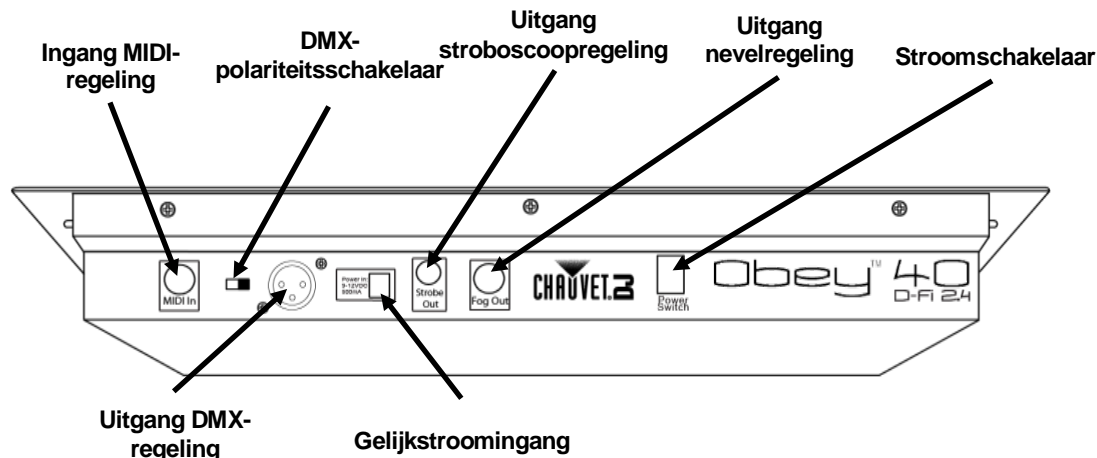
Beschrijvingen van de bedieningselementen

Knop of fader	Beschrijving
<FIXTURES 1> <FIXTURES 12>	Knoppen die de te bedienen lampen selecteren en de standaard DMX-adressen van de kanaalfaders instellen. De corresponderende LED-lampjes geven aan wanneer een lamp wordt geselecteerd. Let op: Deze knoppen zijn inclusief. Eerst op de ene drukken en daarna op de andere, zal beide lampen selecteren. Om een lamp te deselecteren, drukt u het opnieuw en controleert u of het LED-lampje uit is.
<Strobe>	Knop die een of meer stroboscopen regelt en zijn LED-lampje geeft aan dat de stroboscoop aan is en de frequentie waarmee het knippert.
Geluidsgevoeligheids knop	Knop die de gevoeligheid voor geluid en muziek van het bord instelt.
DIP-schakelaars voor D-Fi™-instelling	DIP-schakelaars die de D-Fi™-kanalen en modi selecteren.
<D-Fi™ Auto Sync>	Knop die de Obey™ 40 D-Fi 2.4 synchroniseert met andere D-Fi™-producten.
D-Fi™-signaallampje	LED-lampje die de toestand aangeeft van het D-Fi™-signaal.
<SCENES 1> <SCENES 8>	Knoppen die een scène selecteren waar naar opgeslagen moet worden of van moet worden afgespeeld. Ze worden gebruikt samen met <Bank Up> en <Bank Down>.
D-Fi™-antenne	Antenne die D-Fi™ verzendt.
LCD-display	Display dat verschillende soorten informatie toont over huidige selecties en of het in de programmeer- en afspelenmodus is: <ul style="list-style-type: none"> • Step/Time - toont de huidige achtervolging en scène, behalve wanneer de faders worden bewogen. Daarna toont het de waarde van de fader die beweegt. • Blackout - geeft aan dat de verduistering actief is en het bord geen DMX-signalen verzendt. • Step - toont de huidige scène in de huidige stap van de huidige achtervolging in afspelenmodus of toont dat het bord stappen aan een achtervolging toevoegt in de programmeermodus. • Program - geeft aan dat het bord in programmeringsmodus is. • Music Trigger - geeft aan dat het bord in muziekschakelingsmodus is. • Auto Trigger - geeft aan dat het bord in automatische inschakelingsmodus is. • Chase - toont of de huidige achtervolging in afspelen- of programmeermodus is. • Scene - toont of de huidige scène in afspelen- of programmeermodus is. • Bank - toont of de huidige bank in afspelen- of programmeermodus is.

Beschrijvingen van de bedieningselementen

Knop of fader	Beschrijving
<Bank Up>	Knop die omhoog bladert door banken van scènes of omhoog door de stappen in een achtervolging.
<Bank Down>	Knop die omlaag bladert door banken van scènes of omlaag door de stappen in een achtervolging.
<Chase 1> <Chase 6>	Knoppen die een achtervolging selecteren waar naar opgeslagen moet worden of van moet worden afgespeeld.
<Fog>	Knop die een of meer nevelmachines bedient en zijn LED-lampje die aangeeft wanneer de nevelmachine op volle temperatuur is.
LED-faderlampjes	LED-lampjes die aangeven dat de faders van de huidige armatuurselectie een aangepaste toewijzing (fade) of omkering (omgekeerd kanaal) heeft.
LED-paginalampjes	LED-lampjes geven aan welke pagina van de faders actief is.
<Channel 1> <Channel 16>	Kanaalfaders die DMX-waarden naar de producten sturen. Gebruik in samenwerking met <FIXTURES 1>– <FIXTURES 12>.
<Page Select>	Knop die wisselt tussen fader Pagina A en fader Pagina B.
<Speed Time>	Fader die de tijd van de afspeelsnelheid afstelt—de tijd van de volledige achtervolging met alle stappen. Tijden van de afspeelsnelheid variëren van 10 minuten tot 0,1 seconde. De LED-display toont snelheidstijden in minuten en seconden terwijl de fader beweegt, maar gaat terug naar het tonen van de huidige achtervolging, scène en bank nadat de fader is bewogen. De display toont de tijd voor de fader als volgt: <ul style="list-style-type: none"> · XX' XX - met de punt bovenaan, toont minuten en seconden. · XX.XX - met de punt onderaan, seconden en tienden van seconden. Fader wordt ook gebruikt om de selectie af te stellen en opties in te stellen in de programmeermodus.
<Fade Time>	Fader die de afspeelfadetijsd afstelt—de tijd van de wisseling tussen elke stap van de achtervolging. Tijden van de afspeelsnelheid variëren van 0 seconden tot 30 seconden. De LED-display toont fadetijsden in seconden terwijl de fader beweegt, maar gaat terug naar het tonen van de huidige achtervolging, scène en bank nadat de fader is bewogen. De display toont de tijd voor de fader als volgt: <ul style="list-style-type: none"> · XX.XX - met de punt onderaan, seconden en tienden van seconden. Fader wordt ook gebruikt om de selectie af te stellen en opties in te stellen in de programmeermodus.
<Program>	Knop die het bord in en uit de programmeermodus schakelt.
<Midi/Add>	Knop die scènes en stappen toevoegt aan achtervolgingen in de programmeermodus en de selectie van een MIDI-kanaal in MIDI-modus mogelijk maakt.
<Auto/Del>	Knop die de automatische afspeelmodus selecteert, waarin de afspeeltiming wordt bediend door de <Speed Time> en <Fade Time> faders. Knop wordt gebruikt om achtervolgingen en scènes te wissen in de programmeermodus.
<Music/Bank Copy>	Knop die de muziektrigger selecteert waarin de afspeeltiming door de muziek wordt geregeld. De knop kopieert een volledige bank met scènes in de programmeermodus.
<Tap Sync/Display>	Knop die de tiksynchrosatietrigger instelt waarin het afspelen wordt bediend door tikken op de knop. De knop wordt ook gebruikt voor verschillende functies in het programma.
<Blackout>	Schakelaar die alle DMX-transmissie stopt. Zorgt ervoor dat de lampen verduisteren. Stopt de stroboscoop en de nevel. Wanneer de verduistering aan is, toont de LED-display een indicator.

Achterpaneelaanzicht



Poorten op het achterpaneel

Poort	Functie
Ingang MIDI-regeling	5-pins MIDI-poort voor aansluiting op een MIDI-bord.
DMX-polariteitsschakelaar	Schakelaar voor het wijzigen van de DMX-polariteit.
Uitgang stroboscoopregeling	¼-inch monopoort voor aansluiting aan een of meer stroboscopen in een serieketen.
Uitgang nevelregeling	5-pins DIM-poort voor aansluiting aan een of meer nevelmachines.
Aan/uit-schakelaar	Schakelaar die de Obey™ 40 D-Fi™ 2.4 aan en uit schakelt.
Uitgang DMX-regeling	3-pins DMX-poort voor aansluiting op de producten.
Gelijkstroomingang	Externe PSU-poort die wordt aangesloten op de stroombron.

DMX-polariteit

DMX Polarity Switch

1=ground ↔ 1=ground
 2=data+ ↔ 2=data-
 3=data- ↔ 3=data+

DMX Out



Alle lampen van CHAUVET® gebruiken een negatieve pin 2 en positieve pin 3, dus moet de polariteitsschakelaar worden ingesteld zoals is afgebeeld in [Achterpaneelaanzicht](#) (richting de poort DMX-regeluitgang). Producten van andere fabrikanten kunnen anders werken. Zie de gebruikershandleiding voor de individuele producten voor specifieke informatie



Voor meer informatie over DMX, kunt u de DMX-primer downloaden op www.chauvetlighting.com.

3. INSTELLING

AC-stroom De Obey™ 40 D-Fi 2.4 heeft een externe voeding met automatisch bereik die werkt met een ingangsspanning van 100 tot 240 VAC, 50/60 Hz. Het loopt op 9 VDC, 500 mA.

Voordat u de stroom inschakelt moet u controleren of de lijnspanning binnen het bereik van geaccepteerde spanningen is, zoals is vermeld op het label dat aan het product is bevestigd of zoals is beschreven in [Technische Specificaties](#) in dit document.

Het gemelde vermogen geeft het gemiddelde stroomverbruik aan onder normale omstandigheden.



Sluit om onnodige slijtage te verhinderen en de levensduur te verlengen tijdens periodes van niet-gebruik het product via stroomonderbreker of de stekker volledig van stroom af.



- **Sluit het bord altijd aan op een geaard circuit.**
- **Sluit het bord nooit aan op een rheostat of dimmercircuit.**

Montage De Obey™ 40 D-Fi 2.4 kan in elke positie gemonteerd worden; zorg ervoor dat er voldoende ventilatie rond het product is

Instellen van het bord Om de Obey™ 40 D-Fi 2.4 te gebruiken moet het zijn geconfigureerd voor draadloos D-Fi™-gebruik of met DMX-kabels aan de producten zijn verbonden. De producten moeten ook zijn geconfigureerd voor D-Fi™-gebruik of met DMX-kabels zijn verbonden. De producten moeten ook zijn ingesteld naar de juiste DMX-adressen.

De onderstaande paragrafen beschrijven de [D-Fi™-configuratie](#), [DMX-kabels](#) en [DMX-adressering](#).



Herstel Obey™ 40 D-Fi 2.4 voordat u het voor de eerste maal gebruikt. Zie voor meer informatie [Resetten van het bord](#).

D-Fi™-configuratie

De D-Fi™ is geconfigureerd met de DIP-schakelaars op het voorpaneel, boven de geluidsgevoelighedsknop. Het D-Fi™-kanaal kan handmatig of automatisch geselecteerd worden. De Obey™ 40 D-Fi 2.4 kan D-Fi™ verzenden of D-Fi™ ontvangen.



- **Bijna elk gebruik van de Obey™ 40 D-Fi 2.4 vereist de transmissie via D-Fi™.**
- **Het enige moment waarop de Obey™ 40 D-Fi 2.4 moet worden geconfigureerd voor ontvangst van de D-Fi™ is wanneer een ander systeem het aanstuurt.**
- **Wanneer de Obey™ 40 D-Fi 2.4 is geconfigureerd voor de ontvangst van D-Fi™ kan het geen D-Fi™ verzenden en moet het met DMX-kabels zijn verbonden met de lampen.**

Configuratie-opmerkingen

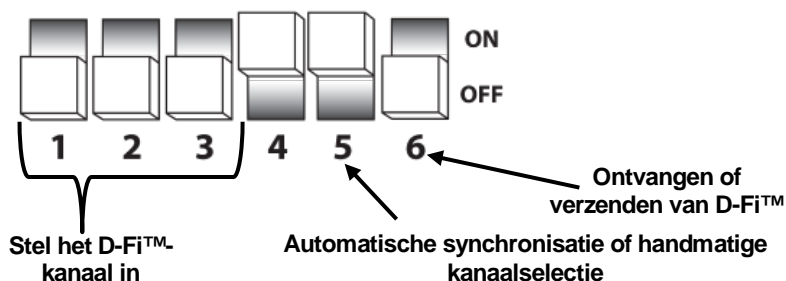
De transmissie van D-Fi™ vereist het volgende:

- De Obey™ 40 D-Fi 2.4 is geconfigureerd voor transmissie.
- De producten zijn compatibel met D-Fi™ en geconfigureerd om te ontvangen.
- De Obey™ 40 D-Fi 2.4 en de producten zijn allemaal geconfigureerd naar automatische synchronisatie of naar hetzelfde kanaal ingesteld met handmatige kanaalselectie.
- De Obey™ 40 D-Fi 2.4 is binnen 90 m van de D-Fi™-lampen geplaatst.
- Er zijn geen grote, vaste objecten, zoals wanden, grote stukken beton of vaste metaalconstructies tussen de Obey™ 40 D-Fi 2.4 en de lampen die D-Fi™ ontvangen.



De handmatige kanaalselectiemodus wordt aanbevolen, maar elke modus werkt.

DIP-schakelaars De 6 DIP-schakelaars die D-Fi™ configureren op de Obey™ 40 D-Fi 2.4 zijn hieronder afgebeeld:



- DIP-schakelaars 1 tot en met 4 stellen het D-Fi™-kanaal in, maar DIP-schakelaar 5 moet in de AAN-stand zijn voor DIP-schakelaar 1 tot en met 4 om effect te hebben.
- DIP-schakelaar 5 schakelt tussen de D-Fi™-kanaalselectiemodi: Automatische synchronisatie (UIT) en handmatig (AAN).
- DIP-schakelaar 6 schakelt tussen D-Fi™ verzenden (AAN) en D-Fi™ ontvangen (UIT).

Voor een lijst van DIP-schakelaarcombinaties, zie de [DIP-schakelaartabel](#) in deze handleiding of de DIP-schakelaarinstellingen die zijn toegevoegd aan de onderzijde van de Obey™ 40 D-Fi 2.4.

DIP-schakelaartabel

	D-Fi™-kanaal	Automatische synchronisatie of handmatig	Verzenden of ontvangen	D-Fi™-kanaal	Automatische synchronisatie of handmatig	Verzenden of ontvangen
Channel 1				Channel 11		
Channel 2				Channel 12		
Channel 3				Channel 13		
Channel 4				Channel 14		
Channel 5				Channel 15		
Channel 6				Channel 16		
Channel 7				Auto-Sync mode		
Channel 8				Transmit mode		
Channel 9				Receive mode		
Channel 10						

Gebruik van handmatige kanaalselectie

Handmatige kanaalselectie wordt aanbevolen. Het vertelt de Obey™ 40 D-Fi 2.4 welk kanaal gebruikt moet worden voor D-Fi™-transmissie. Voor het gebruik van handmatige kanaalselectie voor de configuratie van D-Fi™, doet u het volgende:

1. Schakel alle andere D-Fi™-producten in en stel ze in naar hetzelfde kanaal. Voor instructies over hoe u dit moet doen, bekijkt u de gebruikershandleiding van het product.
2. Schakel de Obey™ 40 D-Fi 2.4 uit.
3. Stel het bord in naar hetzelfde kanaal als de producten, door de DIP-schakelaars in te stellen. Zie voor meer informatie de [DIP-schakelaartabel](#).
4. Controleer of DIP-schakelaar 6 in de AAN-stand staat.
5. Schakel de Obey™ 40 D-Fi 2.4 in. Het LED-signaallampje gaat snel knipperen.

Gebruik van automatische synchronisatie van kanaalselectie

Automatische synchronisatie van kanaalselectie triggert een onderhandeling tussen de Obey™ 40 D-Fi 2.4 en alle andere D-Fi™-producten om een kanaal overeen te komen voor D-Fi™-transmissie. Voor het gebruik van automatische synchronisatie voor de configuratie van D-Fi™, doet u het volgende:

1. Schakel alle andere D-Fi™-producten in en stel ze in naar automatische synchronisatie. Voor instructies over hoe u dit moet doen, bekijkt u de gebruikershandleidingen van het product.
2. Schakel de Obey™ 40 D-Fi 2.4 uit.
3. Stel het bord in naar automatische synchronisatie door DIP-schakelaar 5 in te stellen naar de stand UIT.
4. Controleer of DIP-schakelaar 6 in de AAN-stand staat.
5. Schakel de Obey™ 40 D-Fi 2.4 in. Het LED-signaallampje toont een vast brandend lampje.
6. Druk op **<Auto>** en houd het ten minste 15 seconden ingedrukt. Het LED-signaallampje begint snel te knipperen wanneer het bord met de andere producten communiceert.
7. Houd **<Auto>** ingedrukt totdat alle andere D-Fi™-producten aangeven dat ze ontvangen. Voor meer informatie bekijkt u de gebruikershandleidingen van het product.



De gebruikershandleidingen voor CHAUVET® D-Fi™-producten zijn op de website te vinden op <http://www.chauvetlighting.com/product-manuals-literature/>.



De Obey™ 40 D-Fi 2.4 moet zich binnen 90 m bevonden van de producten die D-Fi™ ontvangen en er mogen geen grote obstructies zijn tussen de Obey™ 40 D-Fi 2.4 en de andere producten.



- Stel vóór het instellen van de Obey™ 40 D-Fi 2.4 alle andere producten in.
- Controleer of de Obey™ 40 D-Fi 2.4 uitstaat voordat u de DIP-schakelaarinstellingen wijzigt.

D-Fi™-signaallampje

Het D-Fi™ signaallampje geeft informatie over de D-Fi™-status van de Obey™ 40 D-Fi 2.4. De tabel hieronder toont de verschillende toestanden van het lampje en wat elke toestand betekent.

LED-lampje	Modus	Betekenis
Vast brandend lampje	Automatische synchronisatie	Nog geen verbinding. Wachten totdat automatische synchronisatie voltooit.
Langzaam knipperen	Ontvangen	Klaar om te ontvangen
Snel knipperen	Ontvangen	Gegevens ontvangen
	Verzenden	Verzenden of klaar om te verzenden
	Automatische synchronisatie	Verbinding gemaakt. Automatische synchronisatie voltooid.

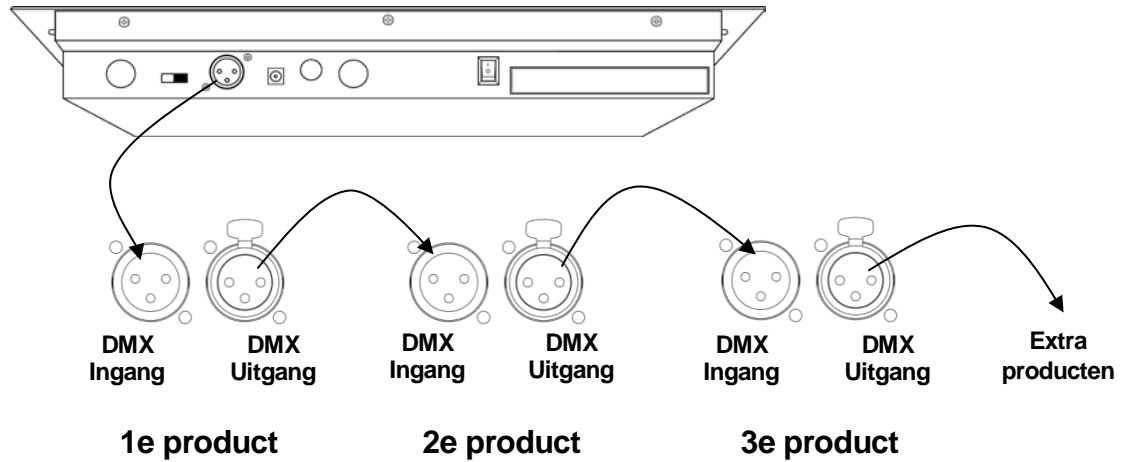
DMX-kabels

DMX-kabels kunnen samen met D-Fi™-transmissie worden gebruikt of in plaats van D-Fi™-transmissie, voor producten die niet compatibel zijn met D-Fi™. Voor het gebruik van DMX-bekabeling sluit u de DMX-kabel aan van de DMX-uitgang van het bord op de DMX-ingang van het eerste product in de opstelling.

Sluit daarna een andere DMX-kabel aan van de DMX-uitgang van het eerste product in de opstelling op de DMX-ingang van het volgende product.

Blijf aansluiten tot alle producten zijn verbonden.

DMX-kabeldiagram

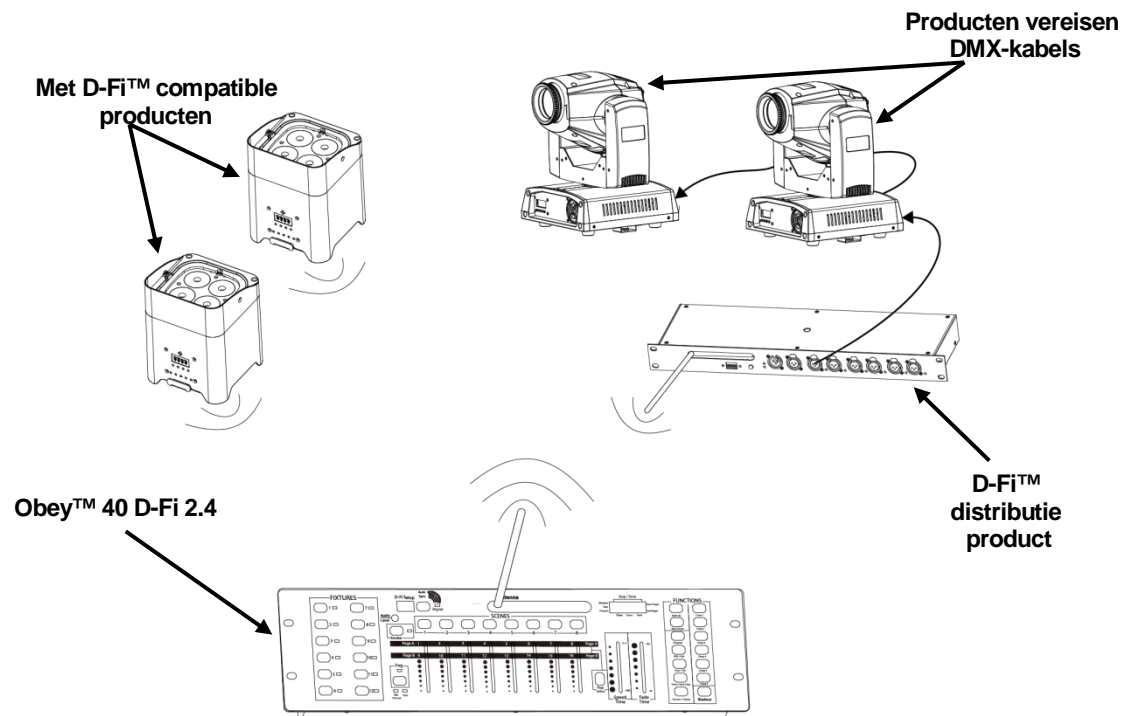


D-Fi™-communicatie

D-Fi™-communicatie kan los worden gebruikt of in combinatie met DMX-bekabeling. Producten die compatibel zijn met D-Fi™ ontvangen D-Fi™-signalen direct van de Obey™ 40 D-Fi 2.4, en producten die DMX-bekabeling vereisen kunnen direct worden verbonden aan D-Fi™-distributieproducten, zoals D-Fi™ Hub en D-Fi™ Stream 6 die het D-Fi™-signaal ontvangen en het uitzenden via DMX-kabels.

Producten die vereisen dat DMX-kabels ook direct op Obey™ 40 D-Fi 2.4 worden aangesloten, zijn hierboven afgebeeld in het [DMX-kabeldiagram](#).

D-Fi™-diagram



DMX- adressering

De Obey™ 40 D-Fi 2.4 gebruikt DMX-adressering. Het bord bedient de lampen met specifieke DMX-adressen en de lampen moet correct zijn geadresseerd wil het bord ze kunnen bedienen. Meer dan één lamp kan hetzelfde DMX-adres bedienen, maar de lampen met hetzelfde DMX-adres moeten hetzelfde type lamp hebben.

Hieronder staat een diagram met de DMX-adresbereiken van de Obey™ 40 D-Fi 2.4 en hun corresponderende armatuurknoppen.

DMX- adresserings- diagram

Adres	Armatuurknop
1-16	<FIXTURES 1>
17-32	<FIXTURES 2>
33-48	<FIXTURES 3>
49-64	<FIXTURES 4>
65-80	<FIXTURES 5>
81-96	<FIXTURES 6>
97-112	<FIXTURES 7>
113-128	<FIXTURES 8>
129-144	<FIXTURES 9>
145-160	<FIXTURES 10>
161-176	<FIXTURES 11>
177-192	<FIXTURES 12>

Nadat de knoppen zijn geadresseerd bedient het bord ze met de <FIXTURES>-knoppen. Bijvoorbeeld:

- Elk product of alle producten die zijn geadresseerd bij **49** worden bediend met <FIXTURES 4>.
- Elk product of alle producten die zijn geadresseerd bij **145** worden bediend met <FIXTURES 10>.

Faders en pagina's

De Obey™ 40 D-Fi 2.4 heeft 8 kanaalfaders op 2 faderpagina's voor een totaal van 16 kanalen. Faders bedienen verschillende DMX-adressen, afhankelijk van welke pagina actief is en welke armatuurknop is ingedrukt.

Pagina's zijn een methode voor het bedienen van 16 kanalen met slechts 8 kanaalfaders. Wisselen tussen pagina's wisselt tussen twee DMX-adressen voor de fader. Wanneer pagina A actief is zijn de faders genummerd van 1–8. Wanneer pagina B actief is zijn de faders genummerd van 9–16.

De knop <Page Select> wisselt tussen actieve pagina's. De LED-lampjes van pagina A en B geven aan welke pagina actief is.

Wanneer pagina A actief is, bedienen de kanaalfaders de eerste 8 DMX-adressen van de geselecteerde lamp.

Wanneer pagina B actief is, bedienen de kanaalfaders de tweede 8 DMX-adressen van de geselecteerde lamp.

DMX-adressen van de fader

De standaard DMX-adressen van de fader worden bepaald door de combinatie van <FIXTURES>-knoppen en pagina A of pagina B. Bijvoorbeeld:

- Wanneer <FIXTURES 1> is geselecteerd, zijn de standaard DMX-adressen van de kanaalfaders 1–16. DMX 1–8 wanneer pagina A actief is en DMX 9–16 wanneer pagina B actief is.
- Wanneer <FIXTURES 7> is geselecteerd, zijn de standaard DMX-adressen van de kanaalfaders 97-112. DMX 97-104 wanneer pagina A actief is en DMX 105-112 wanneer pagina B actief is.

Wanneer 2 armatuurknoppen zijn geselecteerd heeft elke fader 2 verschillende standaard DMX-adressen. Bijvoorbeeld:

- Wanneer <FIXTURES 1> en <FIXTURES 7> zijn geselecteerd, heeft kanaalfader 1 DMX-adressen van zowel 1 als 97.

Faderaanpassingen

Faderaanpassingen zijn zeer krachtige middelen, maar ze zijn niet nodig. De Obey™ 40 D-Fi 2.4 kan een grote verlichtingsopstelling bedienen zonder een faderaanpassing.

Faderaanpassing is een van twee dingen:

- Fadertoewijzing die het standaard DMX-adres van een kanaalfader wijzigt.
- Faderomkering die de faderuitvoer omkeert.

Fadertoewijzing wijzigt het DMX-adres van een fader binnen een armatuurknop, zodat 2 lampen die zijn toegewezen aan verschillende armatuurknoppen en met verschillende DMX-kanaalconfiguraties kunnen worden bediend vanaf een enkele kanaalfader. Zie [Creëren van eenfadertoewijzing](#) voor meer informatie.

Let op: Raadpleeg de gebruikershandleiding van het product voor informatie over DMX-kanaalconfiguraties.

Faderomkering wijzigt de volgorde van de DMX-waarden die worden uitgezonden wanneer de kanaalfader beweegt. In de normale modus bestuurt een kanaalfader een hogere DMX-waarde als het omhoog wordt bewogen, waarbij het de waarde 0 zendt bij de onderzijde en 255 bij de bovenzijde. Wanneer een fader wordt omgekeerd, stuurt het de waarde 255 bij de onderzijde en 0 bij de bovenzijde. Zie [Creëren van een faderomkering](#) voor meer informatie.

De LED-faderlampjes geven aan wanneer een fader is aangepast of omgekeerd.

Creëren van eenfadertoewijzing

Een fadertoewijzing is wanneer het standaard DMX-adres van een fader wordt gewijzigd. Fadertoewijzing is een krachtig hulpmiddel dat in bepaalde situaties nuttig is, maar niet nodig is.

De volgende instructies beschrijven hoe u een fadertoewijzing creëert voor een specifieke fader, maar fadertoewijzingen kunnen worden gecreëerd voor elke fader binnen een armatuurknop.

Om een fadertoewijzing te creëren en het DMX-adres van <FIXTURES 2><Channel 7> te wijzigen van 7 tot 5, doet u het volgende:

1. Druk tegelijkertijd op <Program> en <Tap Sync/Display> om naar de fadertoewijzingsaanpassing te gaan.
2. Druk op <FIXTURES 2>.
3. Controleer dat <FIXTURES 2> de enige geselecteerde armatuurknop is en druk op alle verlichte armatuurknoppen om ze te deselecteren.
4. Beweeg de <Speed Time>-fader totdat **0707** wordt getoond in het LED-display.
5. Beweeg de <Fade Time> totdat **05** wordt getoond in de rechterzijde van het LED-display.

Let op: Het LED-display toont 0705 omdat 7 de fader is die wordt aangepast en 5 het DMX-adres is dat aan fader 7 wordt toegewezen.

6. Druk op <Midi/Add> om de aanpassing op te slaan.
7. Beweeg de <Speed Time>-fader totdat **0505** wordt getoond op het LED-display.
8. Beweeg de <Fade Time>-fader totdat **0516** wordt getoond op het LED-display.
9. Druk op <Midi/Add> om de instelling op te slaan.

Let op: Stappen 7–9 wijzen fader 5 opnieuw toe aan een ongebruikt DMX-adres, zodat fader 5 en fader 7 niet beiden proberen te verzenden naar DMX-adres 5.

10. Druk tegelijkertijd op <Program> en <Tap Sync/Display> om de fadertoewijzingsaanpassing af te sluiten.

- **Elke kanaalfader binnen een armatuurselectie kan waarden zenden naar slechts één DMX-adres. Dus als het standaard DMX-adres van een fader opnieuw is toegewezen, moet die fader een ander DMX-adres krijgen.**
- **Aangepaste fadertoewijzingen kunnen alleen worden verwijderd door een zachte reset uit te voeren. Het herstellen van het bord verwijderd echter alle bordaanpassingen en programmering. Zie [Resetten van het bord](#) voor meer informatie.**



Kopiëren van een fadertoewijzing

Fadertoewijzingen kan van de ene armatuurknop naar de andere gekopieerd worden.

Om de fadertoewijzing te kopiëren van **<FIXTURES 2>** naar **<FIXTURES 11>** doet u het volgende:

1. Druk tegelijkertijd op **<Program>** en **<Tap Sync/Display>** om naar de fadertoewijzingsaanpassing te gaan.
2. Houd **<FIXTURES 2>** ingedrukt.
3. Blijf **<FIXTURES 2>** ingedrukt houden, en druk **<FIXTURES 11>** in.
4. Blijft **<FIXTURES 2>** en **<FIXTURES 11>** ingedrukt houden en druk **<Midi/Add>** in.
5. Blijf **<FIXTURES 11>** en **<MIDI/Add>** ingedrukt houden, maar laat **<FIXTURES 2>** los.
6. Blijf **<Midi/Add>** ingedrukt houden, maar laat **<FIXTURES 11>** los.
7. Laat **<Midi/Add>** los.
8. Druk tegelijkertijd op **<Program>** en **<Tap Sync/Display>** om de fadertoewijzingsaanpassing af te sluiten.



Het kopiëren van een fadertoewijzing kopieert niet een omgekeerde fader.

Creëren van een faderomkering

Een faderomkering is wanneer de volgorde van de waarden die door een fader worden verzonden wordt omgekeerd. In plaats van de hoogste waarde te zenden wanneer de fader omhoog staat, zendt een omgekeerde fader de laagste waarde wanneer de fader omhoog staat.

Faderomkeringen zijn een zeer krachtige middel, maar ze zijn niet nodig.

De volgende instructies beschrijven het omkeren van een specifieke fader, maar elke fader binnen een armatuurknop kan omgekeerd worden.

Om **<Channel 12>** om te keren op **<FIXTURES 9>**, doet u het volgende:

1. Druk 2 maal tegelijkertijd op **<Program>** en **<Tap Sync/Display>** om naar de faderomkeringsaanpassing te gaan.
2. Druk op **<FIXTURES 9>**.
3. Beweeg de **<Speed Time>**-fader totdat **12** wordt getoond in het LED-display.
4. Beweeg **<Fade Time>** helemaal omhoog om de faderomkering te activeren. Het teken aan de rechterzijde van 12 in het LED-display zal wijzigen.
5. Druk op **<Midi/Add>** om de instelling op te slaan.
6. Druk 2 maal tegelijkertijd op **<Program>** en **<Tap Sync/Display>** om de faderomkeringsaanpassing af te sluiten.

Resetten van het bord

Het resetten van het bord wist alle aanpassingen en programmering en herstelt het bord naar zijn standaard fabrieksinstellingen. Het bord moet worden hersteld voor nieuwe shows die nieuwe aanpassingen en configuraties nodig hebben. Het herstellen van het bord kan worden gebruikt om oud gedrag te wissen na vele aanpassingen.

Om het bord te resetten doet u het volgende:

1. Schakel het bord uit.
2. Houd **<Bank up>** en **<Auto/Del>** samen ingedrukt.
3. Terwijl u **<Bank Up>** en **<Auto/Del>** houd ingedrukt schakelt u het bord in. Het LED-display knippert om een succesvolle bediening aan te geven.



- **Het herstellen van het bord wist alle scènes, achtervolgingen en aanpassingen.**
- **Het herstellen van het bord kan tot 30 seconden in beslag nemen.**

4. PROGRAMMEREN

Programmeringsmodus Programmeringsmodus wordt gebruikt om te programmeren voor afspelen. In de programmeringsmodus worden verlichtingsvoorstellingen gecreëerd en opgeslagen om af te spelen. Er zijn drie onderdelen bij het programmeren voor afspelen.

1. Programmeren van lampen: het selecteren en bedienen daarvan om voorstellingen te creëren.
2. Programmeren van scènes: de voorstellingen opslaan in scènes.
3. Programmeren van achterevoelingen: de scènes opslaan in achterevoelingen.

De volgende paragraaf beschrijft hoe de lampen, scènes en achterevoelingen geprogrammeerd moeten worden en hoe scènes en achterevoelingen aangepast en gewist moeten worden.



- **Lampen kunnen worden aangestuurd in de afspelmodus, maar de voorstellingen die zijn gecreëerd in de afspelmodus kunnen niet opgeslagen worden.**

Naar de programmeringsmodus gaan Doe het volgende om naar de programmeringsmodus te gaan:

1. Schakel het bord in.
2. Houd **<Program>** drie seconden ingedrukt.
3. Het programmeringslampje, links onderin het LED-display, gaat branden.
4. Laat **<Program>** los.

De programmeringsmodus afsluiten Doe het volgende om de programmeringsmodus te af te sluiten:

1. Houd **<Program>** drie seconden ingedrukt.
2. Het programmeringslampje, links onderin het LED-display, gaat uit en het verduisteringslampje gaat branden.
3. Laat **<Program>** los.



Verduistering wordt geactiveerd wanneer het bord de programmeringsmodus afsluit. Om de verlichtingsvoorstellingen te zien moet de verduistering zijn geactiveerd. Zie [<Blackout>](#) voor meer informatie.

Programmeren van de lampen I. Het programmeren van de lampen bedient ze met de faders naar ingestelde kleuren, posities en bedieningsmodi. Het resultaat van het bedienen van de lampen is een voorstelling. Het programmeren van de lampen in de programmeringsmodus en het creëren van voorstellingen is het eerste deel van programmeren voor afspelen.

Afspelen is wanneer de geprogrammeerde voorstellingen worden afgespeeld voor een show. De voorstellingen worden afgespeeld uit scènes en achterevoelingen. Zie [5. Afspelen](#) voor meer informatie. Lampen kunnen worden bediend in de afspelmodus, maar voorstellingen die zijn gecreëerd in de afspelmodus kunnen niet opgeslagen worden.

- **Raadpleeg de gebruikershandleiding van de lamp voor informatie over de DMX-kanaaltoewijzingen van de lamp. Gebruikershandleidingen voor CHAUVET®-producten staan op de website van Chauvet op <http://www.chauvetlighting.com/product-manuals-literature/>**
- **Programmeren voor afspelen mag alleen worden gedaan in de programmeringsmodus.**
- **Armatuurknoppen zijn inclusief. Er kan meer dan één lamp per keer geselecteerd worden. Let op de LED-armatuurknoppen, omdat die aangeven welke lampen geselecteerd worden.**
- **Er kunnen twee armaturen op hetzelfde moment geprogrammeerd worden, maar die moeten dezelfde DMX-kanaaltoewijzingen hebben.**
- **De onderstaande instructies gebruiken specifieke lampen, scènes en achterevoelingen, maar de handelingen kunnen worden uitgevoerd op elke lamp, scène, bank of achterevoeling.**



Programmeren van twee producten

Het programmeren van producten stuurt DMX-waarden naar ze om ze te bedienen en een voorstelling te creëren.

De algemene programmeringsstappen voor een product zijn als volgt:

1. Ga naar de programmeringsmodus.
2. Druk op één of meer **<FIXTURE>**-knoppen om één of meer producten te selecteren.
3. Beweeg de kanaalfaders om het product of de producten te bedienen—gebruik **<Page Select>** om te bewegen tussen faderpagina's.
4. Herhaal stappen 2–4 indien nodig voor andere producten.
5. Sla de voorstelling op in een scène. Zie [Creëren van een scène](#) .
6. De programmeringsmodus afsluiten.

Let op: Als de voorstelling niet wordt opgeslagen naar een scène zal het verloren gaan wanneer de programmeringsmodus wordt afgesloten.

de specifieke instructies hieronder beschrijven het programmeren van een 12-kanaals product op **<FIXTURES 3>** en een 15-kanaals product op **<FIXTURES 5>**.

1. Ga naar de programmeringsmodus.
2. Druk op **<FIXTURES 3>**. Zijn LED-lampje gaat branden en het wordt geselecteerd.
3. Beweeg een van de 8 kanaalfaders om DMX-waarden te sturen naar de eerste 8 kanalen van **<FIXTURES 3>**. De lamp reageert op de faders.
4. Druk op **<Page Select>**. De **Pagina B LED** gaat branden en de **Pagina A LED** gaat uit. De fader van pagina B is nu actief.
5. Beweeg een van de eerste 4 kanaalfaders om DMX-waarden te sturen naar de laatste 4 kanalen van **<FIXTURES 3>** en het product reageert op de faders.
6. Druk op **<FIXTURES 5>**. Zijn LED-lampje gaat branden en het wordt geselecteerd. Nu zijn beide lampen geselecteerd.
7. Druk op **<FIXTURES 3>**. Zijn LED-lampje gaat uit en het is niet langer geselecteerd. Nu is alleen **<FIXTURES 5>** geselecteerd.
8. Druk op **<Page Select>**. De **Pagina A LED** gaat branden en de **Pagina B LED** gaat uit. De fader van pagina B is nu actief.
9. Beweeg een van de 8 faders om DMX-waarden te sturen naar de eerste 8 kanalen van **<FIXTURES 5>**. De lamp reageert op de faders.
10. Druk op **<Page Select>**. De **Pagina B LED** gaat branden en de **Pagina A LED** gaat uit. De fader van pagina B is nu actief.
11. Beweeg een van de eerste 7 faders om DMX-waarden te sturen naar de laatste 7 kanalen van **<FIXTURES 5>**. De lamp reageert op de faders.
12. Herhaal stappen 2-11 indien nodig voor andere producten.
13. Sla de voorstelling op in een scène. Zie [Creëren van een scène](#) .

Let op: Als de voorstelling niet wordt opgeslagen naar een scène zal het verloren gaan wanneer de programmeringsmodus wordt afgesloten.

II. Het programmeren van scènes is het opslaan van de voorstellingen naar scènes.

Programmeren van scènes

Het programmeren van scènes is het tweede deel van het programmeren voor het afspelen. En het kan het laatste deel zijn omdat scènes kunnen worden afgespeeld zonder onderdeel te zijn van een achtervolging. Zie [Scène afspelen](#) voor meer informatie.

De Obey™ 40 D-Fi™ 2.4 heeft 30 banken met 8 scènes elk, dus voor het opslaan van een scène moet de bank en de scène worden geselecteerd.



Bij het afspelen van scènes worden de scènes door de bank in nummervolgorde afgespeeld. Dus wanneer u programmeert voor het afspelen van een scène, moet u ervoor zorgen dat de wijzigingen van scène 1 tot scène 2 tot scène 3 logisch zijn.

Creëren van een scène

Het creëren van een scène is het opslaan van een verlichtingsvoorstelling zodat de voorstelling kan worden afgespeeld in de afspeelmodus. De algemene stappen voor het creëren van een scène zijn als volgt:

1. Ga naar de programmeringsmodus.
2. Programmeer de lampen om een voorstelling te maken. Zie [Programmeren van twee producten](#).
3. Gebruik de bankknoppen om de bank te selecteren waarop de scène gecreëerd zal worden. De LED-display toont de huidige bank net boven het woord Bank.
4. Sla de voorstelling op door te drukken op **<Midi/Add>** en daarna scènknop binnen een bank.
5. Herhaal stappen 2-3 indien nodig voor andere voorstellingen en scènes..
6. De programmeringsmodus afsluiten.
7. Herstel de faders naar 0 en deactiveer de verduistering.

De specifieke instructies hieronder beschrijven het opslaan van een voorstelling als **<SCENES3>** van bank 15.

1. Ga naar de programmeringsmodus.
2. Programmeer een of meer lampen totdat de voorstelling goed is. Zie [Programmeren van twee producten](#).
3. Druk op **<Midi/Add>**.
4. Druk op **<Bank Up>** of **<Bank Down>** totdat **15** wordt getoond in het LED-display net boven het woord Bank.
5. Druk op **<SCENES 3>**. Het LED-display en de armatuur-LED's knipperen om een succesvolle bediening aan te geven.
6. Herhaal stappen 2-5 indien nodig voor andere voorstellingen en scènes..
7. De programmeringsmodus afsluiten.
8. Alle kanaalfaders instellen naar 0.
9. Druk op **<Blackout>** om de verduistering te deactiveren en DMX-transmissie van het bord toe te staan.

Een scène wissen Het wissen van een scène betekent het verwijderen van een voorstelling van een scèneknop zodat het niet meer afgespeeld kan worden in de afspeelmodus.



Het wissen van een scène die is opgeslagen als een stap in een achtereenvolgende wist ook de stap in de achtereenvolgende.

De algemene instructies voor het wissen van een scène zijn als volgt:

1. Ga naar de programmeringsmodus.
2. Gebruik de bankknoppen om naar de bank te gaan waar de te wissen scène is opgeslagen. Het LED-display toont de huidige bank net boven het woord Bank.
3. Wis de scène door op **<Auto/Del>** te drukken en daarna op de scèneknop.
4. Herhaal stappen 2-3 indien nodig voor andere scènes.
5. De programmeringsmodus afsluiten
6. Herstel de faders naar 0 en deactiveer de verduistering.

Let op: Een scène kan in de programmeringsmodus worden gewist wanneer het actief is in de afspeelmodus.

De specifieke instructies hieronder beschrijven het wissen van **<SCENES 4>** van bank 2.

1. Ga naar de programmeringsmodus.
2. Druk op **<Bank Up>** of **<Bank Down>** totdat **2** wordt getoond op het LED-display net boven het woord Bank.
3. Houd **<Auto/Del>** ingedrukt en druk daarna op **<SCENES 4>**. Het LED-display en de armatuur-LED's knipperen om een succesvolle bediening aan te geven.
4. Herhaal stappen 2-4 indien nodig voor andere scènes.
5. De programmeringsmodus afsluiten.
6. Alle kanaalfaders instellen naar 0.
7. Druk op **<Blackout>** om de verduistering te deactiveren en DMX-transmissie van het bord toe te staan.

Een geheugengebied met scènes wissen

Het wissen van een bank met scènes is het wissen van alle 8 scènes in een bank zodat ze niet afgespeeld kunnen worden in afspeelmodus. De algemene instructies voor het wissen van een bank met scènes zijn als volgt:

1. Ga naar de programmeringsmodus
2. Gebruik de bankknoppen om naar de bank te gaan die gewist moet worden. Het LED-display toont de huidige bank net boven het woord Bank.
3. Houd **<Auto/Del>** en **<Music/Bank Copy>** samen ingedrukt. Het LED-display en de LED's van de armatuurknop knipperen om een succesvolle bediening aan te geven.
4. Herhaal stappen 2-3 indien nodig voor andere banken.
5. De programmeringsmodus afsluiten.
6. Herstel de faders naar 0 en deactiveer de verduistering.

De specifieke instructies hieronder beschrijven het wissen van bank 30.

1. Ga naar de programmeringsmodus.
2. Druk op **<Bank Up>** of **<Bank Down>** totdat **30** wordt getoond in het LED-display net boven het woord Bank.
3. Houd **<Auto/Del>** en **<Music/Bank Copy>** samen ingedrukt. Het LED-display en de LED's van de armatuurknop knipperen om een succesvolle bediening aan te geven.
4. Herhaal stappen 2-3 indien nodig voor andere banken.
5. De programmeringsmodus afsluiten.
6. Alle kanaalfaders instellen naar 0.
7. Druk op **<Blackout>** om de verduistering te deactiveren en DMX-transmissie van het bord toe te staan.

Alle scènes wissen

Alle scènes wissen is het verwijderen van alle scènes die zijn opgeslagen in een van de banken. Om alle scènes in het bord te wissen, maar niet de faderaanpassingen te wissen, doet u het volgende:

1. Schakel het bord uit.
2. Houd **<Bank Down>** en **<Program>** ingedrukt.
3. Blijf **<Bank Down>** en **<Program>** ingedrukt houden en schakel het bord in.
4. Blijf **<Bank Down>** en **<Program>** ingedrukt houden tot het LED-display en de LED-lampjes van de armatuurknop knipperen.
5. Laat **<Bank Down>** en **<Program>** los.

III. Programmeren van achtervolgingen

Het programmeren van achtervolgingen is het opslaan van scènes als stappen in achtervolgingen. Het programmeren van achtervolgingen is het derde deel van het programmeren voor het afspelen. Er moeten scènes zijn die al in het bord zijn opgeslagen voordat achtervolgingen geprogrammeerd worden.

Creëren van een achtervolging uit individuele scènes

Het creëren van een achtervolging uit individuele scènes is het opslaan van individuele scènes in individuele stappen in een achtervolging—kunnen de scènes in elke volgorde in de stappen opgeslagen worden.

De algemene instructies voor het creëren van een achtervolging uit individuele scènes zijn als volgt:

1. Ga naar de programmeringsmodus.
2. Druk op een verdieplingsknoppen om de achtervolging te selecteren die gecreëerd moet worden.
3. Gebruik de bankknoppen en de scènekoppen om de scène te vinden die zal worden opgeslagen als een stap in de achtervolging. Het LED-display toont de huidige bank net boven het woord Bank.
4. Druk tweemaal op **<Midi/Add>** om de scène in een stap op te slaan.
5. Herhaal stappen 3–4 om meer scènes aan stappen toe te voegen of stappen 2–4 om meer achtervolgingen toe te voegen.
6. De programmeringsmodus afsluiten.
7. Herstel de faders naar 0 en deactiveer de verduistering.

Let op: Scènes worden in sequentiële volgorde opgeslagen in stappen—de eerste scène die wordt opgeslagen naar de achtervolging gaat in stap 1, de tweede scène die wordt opgeslagen naar de achtervolging gaat in stap 2, enzovoorts.

De specifieke instructies hieronder beschrijven het creëren van **<Chase 1>** als een 3-spats achtervolging die is gemaakt van **<SCENES 3>** van bank 15, **<SCENES 4>** van bank 2 en **<SCENES 8>** van bank 1.

1. Ga naar de programmeringsmodus.
2. Druk op **<Chase 1>**.
3. Druk op **<Bank Up>** of **<Bank Down>** totdat **15** wordt getoond in het LED-display net boven het woord Bank.
4. Druk op **<SCENES 3>**. De lampen tonen **<SCENES 3>** in Bank 15.
5. Druk 2 maal op **<Midi/Add>**. Het LED-display en de LED's van de armatuurknop knipperen om een succesvolle bediening aan te geven.
6. Druk op **<Bank Up>** of **<Bank Down>** totdat **2** wordt getoond in het LED-display net boven het woord Bank.
7. Druk op **<SCENES 4>**. De lampen tonen **<SCENES 4>** in bank 2.
8. Druk op **<Midi/Add>**. 2 maal. Het LED-display en de LED's van de armatuurknop knipperen om een succesvolle bediening aan te geven.
9. Druk op **<Bank Up>** of **<Bank Down>** totdat **1** wordt getoond in het LED-display net boven het woord Bank.
10. Druk op **<SCENES 8>**. De lampen tonen **<SCENES 8>** in bank 1.
11. Druk 2 maal op **<Midi/Add>**. Het LED-display en de LED's van de armatuurknop knipperen om een succesvolle bediening aan te geven.
12. Herhaal stappen 3–11 indien nodig voor andere stappen of herhaal stappen 2–11 indien nodig voor andere stappen.
13. De programmeringsmodus afsluiten.
14. Alle kanaalfaders instellen naar 0.
15. Druk op **<Blackout>** om de verduistering te deactiveren en DMX-transmissie van het bord toe te staan.

Creëren van een achtervolging uit een bank met scènes

Een snelle en efficiënte wijze van programmeren is om 8 voorstellingen te creëren in 8 scènes van een bank en daarna de volledige bank in een achtervolging op te slaan. De scènes zullen in een lus in nummervolgorde 1, 2, 3, 4, 5, 6, 7, 8 worden afgespeeld.

De algemene instructies voor het creëren van een achtervolging uit een bank met scènes zijn als volgt:

1. Ga naar de programmeringsmodus.
2. Druk op een verdiepingsknoppen om de achtervolging te selecteren die gecreëerd moet worden.
3. Gebruik de bankknoppen om de bank te selecteren die in de achtervolging moet worden opgeslagen. Het LED-display toont de huidige bank net boven het woord Bank.
4. Druk tegelijkertijd op **<Music/Bank Copy>** en **<Midi/Add>**.
5. Herhaal stappen 3-4 indien nodig om meer banken toe te voegen aan de op dit moment geselecteerde achtervolging of herhaal stappen 2-4 indien nodig voor andere achtervolgingen.
6. De programmeringsmodus afsluiten.
7. Herstel de faders naar 0 en deactiveer de verduistering.

De specifieke instructies hieronder beschrijven het creëren van **<Chase 5>** van de scènes in bank 12.

1. Ga naar de programmeringsmodus.
2. Druk op **<Chase 5>**.
3. Druk op **<Bank Up>** of **<Bank Down>** totdat **12** wordt getoond in het LED-display net boven het woord Bank.
4. Druk tegelijkertijd op **<Music/Bank Copy>** en **<MIDI/Add>**. Het LED-display en de LED's van de armatuurknop knipperen om een succesvolle bediening aan te geven.
5. Herhaal stappen 3-4 indien nodig om meer banken toe te voegen aan de op dit moment geselecteerde achtervolging of herhaal stappen 2-4 indien nodig voor andere achtervolgingen.
6. De programmeringsmodus afsluiten.
7. Alle kanaalfaders instellen naar 0.
8. Druk op **<Blackout>** om de verduistering te deactiveren en DMX-transmissie van het bord toe te staan.

Een achtervolging aanpassen

Het aanpassen van een achtervolging is het plaatsen van een stap middenin de achtervolging of het verwijderen van een stap.

Let op: Om een stap toe te voegen aan het einde van een achtervolging, volgt u de instructies in [Creëren van een achtervolging uit individuele scènes](#).

Een stap toevoegen aan een achtervolging

Een stap toevoegen aan een achtervolging is het plaatsen ervan middenin de achtervolging. Om een stap toe te voegen aan het einde van een achtervolging, volgt u de instructies in [Creëren van een achtervolging uit individuele scènes](#). De algemene instructie voor het plaatsen van een stap middenin de achtervolging is als volgt:

1. Ga naar de programmeringsmodus.
2. Gebruik de achtervolgingsknoppen om de achtervolging te selecteren waaraan de scène toegevoegd zal worden.
3. Gebruik de bankknoppen om de bank te selecteren waaraan de scène toegevoegd zal worden. Het LED-display toont de huidige bank net boven het woord Bank.
4. Druk op **<Tap Sync/Display>** zodat het display de stappen toont in de geselecteerde scène.
5. Gebruik de bankknoppen om de stap van de achtervolging te selecteren waarna de nieuwe stap zal worden geplaatst. Het LED-display toont de huidige stap net boven het woord Scene.
6. Druk op **<Midi/Add>** en daarna op de scèneknop van de scène die in de stap zal worden opgeslagen.
7. Herhaal stappen 3-6 indien nodig voor andere stappen of herhaal stappen 2-6 indien nodig voor andere achtervolgingen.
8. De programmeringsmodus afsluiten.
9. Herstel de faders naar 0 en deactiveer de verduistering.

De specifieke instructies hieronder beschrijven hoe **<SCENES8>** moet worden toegevoegd van bank 12 aan de bestaande **<Chase 5>**, en moet worden geplaatst na stap 4.

1. Ga naar de programmeringsmodus.
2. Druk op **<Chase 5>**.
3. Druk op **<Bank Up>** of **<Bank Down>** totdat **12** wordt getoond in het LED-display net boven het woord Bank. Het bord is nu in bank 12.
4. Druk op **<Tap Sync/Display>**.
5. Druk op **<Bank Up>** of **<Bank Down>** totdat **4** wordt getoond in het LED-display net boven het woord Bank. Het bord is nu bij stap 4 van **<Chase 5>**.
6. Druk op **<MIDI/Add>**.
7. Druk op **<SCENES 8>**.
8. Druk op **<MIDI/Add>**. Het LED-display en de LED's van de armatuurknop knipperen om een succesvolle bediening aan te geven.
9. Herhaal stappen 3-8 indien nodig voor andere stappen of herhaal stappen 2-8 indien nodig voor andere achtervolgingen.
10. De programmeringsmodus afsluiten.
11. Alle kanaalfaders instellen naar 0.
12. Druk op **<Blackout>** om de verduistering te deactiveren en DMX-transmissie van het bord toe te staan.

Een stap wissen van een achtervolging

Een stap wissen van een achtervolging is het verwijderen van een stap uit een achtervolging, maar verwijdert niet de scène die in de stap is opgeslagen.



Het wissen van een stap uit een achtervolging wist niet de scène in de stap. De scène blijft achter en kan in andere achtervolgingen opgeslagen worden of op zichzelf worden afgespeeld. Zie [Een scène wissen](#) voor informatie over het wissen van een scène.

De algemene instructies voor het wissen van een stap zijn als volgt:

1. Ga naar de programmeringsmodus.
2. Gebruik de achtervolgingsknoppen om de achtervolging te selecteren waarvan de scène zal worden gewist.
3. Gebruik de bankknoppen om de te wissen stap te selecteren Het LED-display toont de huidige stap net boven het woord Bank.
4. Druk op **Auto/Del** om de stap te wissen.
5. Herhaal stappen 3-4 voor andere stappen of herhaal stappen 2-4 indien nodig voor andere achtervolgingen.
6. De programmeringsmodus afsluiten.
7. Herstel de faders naar 0 en deactiveer de verduistering.

De specifieke instructies hieronder beschrijven hoe stap 5 moet worden gewist van **<Chase 5>**.

1. Ga naar de programmeringsmodus.
2. Druk op **<Chase 5>**.
3. Druk op **<Tap Sync/Display>**.
4. Druk op **<Bank Up>** of **<Bank Down>** totdat **5** wordt getoond in het LED-display net boven het woord Bank.
5. Druk op **<Auto/Del>**. Het LED-display en de LED's van de armatuurknop knipperen om een succesvolle bediening aan te geven.
6. Herhaal stappen 3-5 voor andere stappen of herhaal stappen 2-5 indien nodig voor andere achtervolgingen.
7. De programmeringsmodus afsluiten.
8. Alle kanaalfaders instellen naar 0.
9. Druk op **<Blackout>** om de verduistering te deactiveren en DMX-transmissie van het bord toe te staan.

Een achtervolging wissen

Het wissen van een achtervolging is het verwijderen van de volledige achtervolging, maar niet de scènes die in de achtervolging zijn opgeslagen. De algemene instructies voor het wissen van een achtervolging zijn als volgt:

1. Ga naar de programmeringsmodus.
2. Gebruik de achtervolgingsknoppen om de achtervolging te selecteren die zal worden gewist.
3. Druk tegelijkertijd op **<Auto/Del>** en de verdiepingknoppen.
4. Herhaal stappen 2-3 indien nodig voor andere achtervolgingen.
5. De programmeringsmodus afsluiten.
6. Herstel de faders naar 0 en deactiveer de verduistering.

De specifieke instructies hieronder beschrijven hoe **<Chase 3>** moet worden gewist.

1. Ga naar de programmeringsmodus.
2. Druk op **<CHASE 3>**.
3. Druk tegelijkertijd op **<Auto/Del>** en **<CHASE 3>**. Het LED-display en de LED's van de armatuurknop knipperen om een succesvolle bediening aan te geven.
4. Herhaal stappen 2-3 indien nodig voor andere achtervolgingen.
5. De programmeringsmodus afsluiten.

Alle achtervolgingen wissen

Alle achtervolgingen wissen verwijdert alle geprogrammeerde achtervolgingen van het bord, maar het verwijdert niet alle scènes of aanpassingen. Doe het volgende om alle achtervolgingen te wissen:

1. Ga naar de programmeringsmodus.
2. Druk tegelijkertijd op **<Auto/Del>** en **<Bank Down>**.
3. Schakel het bord uit terwijl u **<Auto/Del>** en **<Bank Down>** samen ingedrukt houdt.
4. Schakel het bord in.

5. AF SPELEN

Regelmodus Afspelen wordt gebruikt om opgeslagen scènes en achtereenvolgende af te spelen. Het is de modus die moet worden gebruikt wanneer de show plaatsvindt. In de afspelmmodus worden de opgeslagen scènes en achtereenvolgende ingeschakeld om af te spelen. Er zijn 4 displaytype.

- Scène afspelen - scènes kunnen handmatig teruggevoerde worden en automatisch, met timing die wordt ingesteld door de **<Speed Time>** en **<Fade Time>**-faders, de **<Tap Sync/Display>**-knop of door muziek.
- Achtereenvolgende afspelen - achtereenvolgende kunnen automatisch teruggevoerde worden, met timing die wordt ingesteld door de **<Speed Time>** en **<Fade Time>**-faders, de **<Tap Sync/Display>**-knop of door muziek.
- Live afspelen - spontaan afspelen is live bediening van de lampen, identieke aan het programmeren van lampen, maar de voorstellingen worden niet opgeslagen.
- MIDI afspelen - het afspelen van een scène en achtereenvolgende wordt teruggevoerde door MIDI-invoer op het bord.

Het is mogelijk om alle vier displaytype tegelijkertijd te gebruiken.

Scène afspelen Het afspelen van een scène triggert een specifieke scène of scènes om af te spelen. Een scène kan handmatig worden teruggevoerde door een scèneknop in te drukken en het blijft geselecteerd totdat een andere scène wordt gestart. Scène in een bank kunnen na elkaar afgespeeld worden in een lus, met timing die wordt ingesteld door de **<Speed Time>** en **<Fade Time>**-faders of de **<Tap Sync/Display>**-knop of door muziek.

Het LED-display toont de huidige scène.



- **De scènes worden op nummervolgorde binnen een bank afgespeeld.**
- **Er kan slechts één bank per keer afgespeeld worden.**
- **Alleen geprogrammeerde scènes worden afgespeeld.**
- **Lege scènes zullen tijdens het afspelen overgeslagen worden.**

Handmatig afspelen van scènes Handmatig afspelen van een scène triggert een enkele scène door de scèneknop in te drukken. De algemene instructies voor het handmatig afspelen van een scène zijn als volgt:

1. Automatische ringveren maken of Zekeringmodule-type afspelen is niet geselecteerd.
2. Gebruik de bankknoppen om de bank of de scène te zoeken die zal worden teruggevoerde.
3. Druk op de scèneknop. De lampen zullen de geprogrammeerde scène tonen.

De specifieke instructies hieronder beschrijven hoe **<SCENES 2>** in bank 2 en daarna **<SCENES 8>** in bank 4 afgespeeld moet worden.

1. Controleer of Automatische ringveren en Zekeringmodule-displaytype niet zijn geselecteerd door het LED-display te controleren om te zien of de lampjes voor AutoTrigger of de MusicTrigger aan staan. Zie [LCD-Display](#) voor meer informatie.
2. Als het AutoTrigger-lampje aan staat, drukt u op **<Auto/Del>**. Het lampje gaat uit.
3. Als het MusicTrigger-lampje aan is, drukt u op **<Music/Bank Copy>**. Het lampje gaat uit.
4. Druk op **<Bank Up>** of **<Bank Down>** totdat **2** wordt getoond in het LED-display net boven het woord Bank.
5. Druk op **<SCENES2>**. De lampen tonen **<SCENES 2>**.
6. Druk op **<Bank Up>** of **<Bank Down>** totdat **4** wordt getoond in het LED-display net boven het woord Bank.
7. Druk op **<SCENES 8>**. De lampen tonen **<SCENES 8>**.

Automatisch afspelen van een scène

Automatisch afspelen van een scène is het triggeren van een volledige bank van 8 scènes om op volgorde of in een lus af te spelen, in andere woorden, scènes 1, 2, 3, 4, 5, 6, 7, 8, 1, 2, enzovoorts, met de lengtes van de scènes ingesteld door **<Speed Time>** en de fadetijd van scène-tot-scène ingesteld door **<Fade Time>**. De algemene instructies voor het automatisch afspelen van een scène zijn als volgt:

1. Druk op **<Auto/Del>** om het bord in het Automatische ringveren-afspeeltype te plaatsen.
2. Gebruik de bankknoppen om de bank of de scène te selecteren die zal worden afgespeeld.
3. Stel de snelheidstijd van de lus af met **<Speed Time>**.
4. Stel de fadetijd tussen scènes af met **<Fade Time>**.

De specifieke instructies hieronder beschrijven hoe alle scènes in bank 3 afgespeeld moeten worden, met een snelheidstijd van 8 seconden en een fadetijd van 0; doe het volgende:

1. Druk op **<Auto/Del>** en het Auto Trigger-lampje gaat branden.
2. Beweeg de **<Speed Time>** en **<Fade Time>**-faders helemaal naar beneden.
3. Druk op **<Bank Up>** of **<Bank Down>** totdat **3** wordt getoond in het LED-display net boven het woord Bank. De lampen tonen scène 1 in bank 3 of de huidig geselecteerde scène in bank 3.
4. Beweeg de **<Speed Time>**-fader totdat het LED-display **8.00** weergeeft. De lampen beginnen door de scènes in bank 3 te gaan.



Het bord kan op elk moment gedurende het afspelen schakelen tussen Auto, Tap Sync en Music gedurende het afspelen. De knop die wordt ingedrukt bepaalt het laatste type ringveren dat wordt gebruikt van het afspelen

Automatisch afspelen van een scène met tiksynchronisatie

Automatisch afspelen van een scène met tiksynchronisatie is het triggeren van een volledige bank van 8 scènes om op volgorde of in een lus af te spelen, in andere woorden, scènes 1, 2, 3, 4, 5, 6, 7, 8, 1, 2, enzovoorts, met de lengtes van de scènes ingesteld door **<Tap Sync/Display>** en de fadetijd van scène-tot-scène ingesteld door **<Fade Time>**. De algemene instructies voor het automatisch afspelen van een scène met tiksynchronisatie zijn als volgt:

1. Controleer of het bord in het automatische afspeeltype is door het lampje Auto Trigger te controleren.
2. Gebruik de bankknoppen om de bank of de scène te selecteren die zal worden afgespeeld.
3. Druk ten minste driemaal op **<Tap Sync/Display>** bij de gewenste snelheid.
4. Gebruik **<Fade Time>** om de fadetijd tussen scènes in te stellen.

Afspelen van een muzieksène

Het afspelen van een muzieksène is het triggeren van een volledige bank van 8 scènes om op volgorde of in een lus af te spelen, in andere woorden, scènes 1, 2, 3, 4, 5, 6, 7, 8, 1, 2, enzovoorts, met de lengtes van de scènes ingesteld door de timing van de muziek en de fadetijd van scène-tot-scène ingesteld door **<Fade Time>**. De algemene instructies voor het afspelen van een muzieksène zijn als volgt:

Om alle scènes in bank 3 af te spelen met de timing ingesteld door de muziek:

1. Druk op **<Music/Bank Copy>** om het bord in de muziekafspeelmodus te plaatsen en het lampje Music Trigger gaat branden.
2. Gebruik de bankknoppen om de bank of de scène te selecteren die zal worden afgespeeld.
3. Gebruik **<Fade Time>** om de fadetijd tussen scènes in te stellen.

Afspelen van een achtervolging

Het afspelen van een achtervolging triggert een achtervolging of achtervolgingen voor afspelen. Achtervolgingen worden handmatig teruggevoerde, maar worden automatisch door hun stappen herhaald met een timing die wordt ingesteld door de **<Speed Time>**-fader, of door de **<Tap Sync/Display>**-knop, of een tijd die door de muziek wordt ingesteld. Het LED-display toont de huidige achtervolging en scène wanneer de achtervolging door zijn stappen heengaat.



- **Wanneer meer dan één achtervolging is teruggevoerde, is de laatst ingetoetste achtervolging de eerste die wordt afgespeeld. Daarna gaan de achtervolgingen verder in numerieke volgorde.**
- **De LED geeft geen achtervolgingsstapnummers weer, maar toont de achtervolging en de scène in de huidige stap.**

Automatisch afspelen van een achtervolging

Het automatisch afspelen van een achtervolging is het triggeren van één of meer achtervolgingen om af te spelen met de lengte van de stappen die wordt ingesteld door **<Speed Time>** en de scène-tot-scène fadetijd ingesteld door **<Fade Time>**. De algemene instructies voor het automatisch afspelen van een achtervolging zijn als volgt:

1. Gebruik de achtervolgingsknoppen om de achtervolging te selecteren die zal worden afgespeeld.
2. Druk op **<Auto/Del>**.
3. Stel de snelheidstijd van de lus af met **<Speed Time>**.
4. Stel de fadetijd tussen scènes af met **<Fade Time>**.

De specifieke instructies hieronder beschrijven hoe **<Chase 1>** en **<Chase 2>** afgespeeld moeten worden, met een snelheidstijd van 10 seconden en een fadetijd van 0; doe het volgende:

1. Beweeg de **<Speed Time>** en **<Fade Time>**-faders helemaal naar beneden.
2. Druk op **<Chase 1>**.
3. Druk op **<Chase 2>**.
4. Druk op **<Auto/Del>**.
5. Beweeg de **<Speed Time>**-fader totdat het LED-display **10.00** weergeeft. De lampen starten met de achtervolgingen, beginnend bij de stappen in **<Chase 2>**.



Het bord kan op elk moment gedurende het afspelen schakelen tussen Auto, Tap Sync en Music gedurende het afspelen. De knop die wordt ingedrukt bepaalt het laatste type ringveren dat wordt gebruikt van het afspelen

Automatisch afspelen van een achtervolging met tiksynchronisatie

Het automatisch afspelen van een achtervolging met tiksynchronisatie triggert één of meer achtervolgingen om af te spelen, waarbij de lengte van de scènes wordt ingesteld door **<Tap Sync/Display>** en de fadetijd van scène-tot-scène door **<Fade Time>**. De algemene instructies voor het automatisch afspelen van een achtervolging met tiksynchronisatie zijn als volgt:

1. Controleer of het bord in het automatische afspeeltype is door het lampje Auto Trigger te controleren.
2. Gebruik de achtervolgingsknoppen om de achtervolging te selecteren die zal worden afgespeeld.
3. Druk ten minste driemaal op **<Tap Sync/Display>** bij de gewenste snelheid.
4. Gebruik **<Fade Time>** om de fadetijd tussen scènes in te stellen.

Afspelen van een muziekachtervolging

Het afspelen van een muziekachtervolging triggert één of meer achtervolgingen om af te spelen, waarbij de lengte van de scènes wordt ingesteld door de timing van de muziek en de fadetijd van scène-tot-scène door **<Fade Time>**. De algemene instructies voor het afspelen van een muziekscène zijn als volgt:

Om alle scènes in bank 3 af te spelen met de timing ingesteld door de muziek:

1. Druk op **<Music/Bank Copy>** om het bord in de muziekafspeelmodus te plaatsen. Het lampje voor Music Trigger gaat branden.
2. Gebruik de achtervolgingsknoppen om de achtervolging te selecteren die zal worden afgespeeld.
3. Gebruik **<Fade Time>** om de fadetijd tussen scènes in te stellen.

MIDI-bediening MIDI vanaf een externe bron kan worden gebruikt om scènes en achtervolgingen te triggeren om af te spelen.

Sluit de MIDI-bron aan op de Obey™ met een 5-pins MIDI-kabel en de Obey™ 40 D-Fi™ 2.4 reageert op de MIDI-invoer.

De onderstaande tabel toont welke scènes en achtervolgingen teruggevoerde kunnen worden door een externe MIDI-bron.

MIDI map	MIDI-noot	Functie (schakelt de ringveren aan en uit)
	00-07	Scènes 1–8, Bank 1
	08-15	Scènes 1–8, Bank 2
	16-23	Scènes 1–8, Bank 3
	24-31	Scènes 1–8, Bank 4
	21-39	Scènes 1–8, Bank 5
	40-47	Scènes 1–8, Bank 6
	48-55	Scènes 1–8, Bank 7
	56-63	Scènes 1–8, Bank 8
	64-71	Scènes 1–8, Bank 9
	72-79	Scènes 1–8, Bank 10
	80-87	Scènes 1–8, Bank 11
	88-95	Scènes 1–8, Bank 12
	96-103	Scènes 1–8, Bank 13
	104-111	Scènes 1–8, Bank 14
	112-119	Scènes 1–8, Bank 15
	120	Achtervolging 1
	121	Achtervolging 2
	122	Achtervolging 3
	123	Achtervolging 4
	124	Achtervolging 5
	125	Achtervolging 6
	126	Blackout

Nevelregeling

De Obey™ 40 D-Fi™ 2.4 heeft een aparte nevelknop die werkt met compatibele CHAUVET®-nevelmachines. Zie de website van Chauvet voor beschikbare nevelmachines www.chauvetlighting.com.

Doe het volgende om één of meer nevelmachines te bedienen:

1. Sluit de nevelmachine aan op de nevelregeling-uitgangspoort op het achterpaneel.

Let op: Zie de gebruikershandleiding van de nevelmachine voor informatie over het koppelen van meer dan één nevelmachine.

2. Schakel de nevelmachine(s) in.
3. Wacht totdat het lampje <Fog> gaat branden.
4. Druk op <Fog> om nevel te genereren.



Het <Fog>-lampje geeft aan dat de nevelmachine bij de maximale temperatuur is om de nevel te maken. Wanneer het LED-lampje niet brandt, kan de nevelmachine wel nevel genereren, maar niet voor de maximale tijd.

Stroboscoop-bediening

De Obey™ 40 D-Fi™ 2.4 heeft een aparte stroboscoopknop die werkt met compatibele CHAUVET®-stroboscopen. Zie de website van Chauvet voor beschikbare stroboscopen www.chauvetlighting.com.

Doe het volgende om één of meer stroboscopen te bedienen:

1. Sluit de stroboscoop of stroboscopen aan op de stroboscoopregeling-uitgangspoort op het achterpaneel van de Obey™ 40 D-Fi™ 2.4.

Let op: Zie de gebruikershandleiding van de stroboscoop voor informatie over het koppelen van meer dan één stroboscoop.

2. Schakel de stroboscoop/stroboscopen in.
3. Druk op <Strobe> om de stroboscoop te starten.

Let op: De <Strobe>-knop is een tijdelijke knop. De lamp knippert net zolang als de knop wordt ingedrukt. Wanneer het niet wordt ingedrukt is de stroboscoop verduisterd.



Het LED-lampje voor de stroboscoopknop knippert met dezelfde frequentie als de stroboscoop.

Geluidsgevoeligheidsknop

De geluidsgevoeligheidsknop maakt het bord meer of minder gevoelig voor geluid. Wanneer de knop zo ver mogelijk met de klok mee wordt gedraaid, is het bord het meest gevoelig voor geluid.

6. TECHNISCHE INFORMATIE

Onderhoud Voor het behoud van optimale prestaties en om slijtage te minimaliseren, moeten armaturen regelmatig gereinigd worden. Het gebruik en de omgeving zijn factoren die bijdragen aan het bepalen van de frequentie. Als vuistregel moeten de armaturen tweemaal per maand gereinigd worden. De ophoping van stof verlaagt de lichtemissieprestaties en kan oververhitting veroorzaken. Dit kan leiden tot een kortere levensduur van de lamp en verhoogde mechanische slijtage. Zorg ervoor dat u de armatuur uitschakelt vóór het plegen van onderhoud.

1. Haal het product van de stroom.
2. Gebruik een stofzuiger of luchtcompressor en een zachte borstel om opgehoopt stof van de externe ventilatiegaten te verwijderen.
3. Reinig, wanneer de armatuur bij kamertemperatuur is, alle lenzen met een milde oplossing van glasreiniger of isopropylalcohol en een zachte pluivrije katoenen doek of een brillendoekje.
4. Pas de schoonmaakoplossing toe op het textiel of doekje en veeg het vuil en roet naar de buitenzijde van de lens.
5. Poets het de optische oppervlakken voorzichtig totdat het vrij is van waas en pluïsjes.



Droog de onderdelen altijd zorgvuldig na het reinigen.

Technische Specificaties

GEWICHT EN AFMETINGEN

Lengte	483 mm
Breedte	89 mm
Hoogte	171 mm
Gewicht	2,6 kg

STROOM

Ingangsspanning	9 V gelijkstroom, 500 mA
Externe voeding	100–240 V wisselstroom, 50/60 Hz

BINNENSHUIS/BUITEN

Classificatie	Alleen voor gebruik binnenshuis
---------------	---------------------------------

THERMISCH

Maximale omgevingstemperatuur	40 °C
-------------------------------	-------

BEDIENING EN PROGRAMMERING

Gegevensuitgang	3-pins XLR
Configuratie van de gegevenspen	pin 1 geaard, pin 2 (-), pin 3 (+)
Totale DMX-regelkanalen	192

BESTELINFORMATIE

Obey™ 40 D-Fi™ 2.4	OBHEY40DFI2.4
Artikelcode	09080697

DRAADLOOS

Bedrijfsbereik	2,433 tot 2,48 GHz
----------------	--------------------

GARANTIE-INFORMATIE

Garantie	2-jarige beperkte garantie
----------	----------------------------



RETOUREN

Als u ondersteuning nodig hebt of een product wilt retourneren:

- Neem contact op met het Chauvet wereldwijde hoofdkwartier als u zich in de VS bevindt.
- Als u zich binnen het Verenigd Koninkrijk of Ierland bevindt, neem dan contact op met Chauvet Europe Ltd.
- Als u zich in Mexico bevindt, neem dan contact op met Chauvet Mexico.
- Als u zich in Benelux bevindt, neem dan contact op met Chauvet Europe BVBA.
- Als u zich in een ander land bevindt, neem dan GEEN contact op met Chauvet. Neem in plaats daarvan contact op met uw plaatselijke distributeur. Zie www.chauvetlighting.com voor distributeurs buiten de VS, het Verenigd Koninkrijk, Ierland, Mexico, of Benelux.



Als u zich buiten de VS, het Verenigd Koninkrijk, Ierland, Mexico, of Benelux bevindt, neem dan contact op met uw geregistreerde distributeur en volg hun instructies over het retourneren van Chauvet-producten naar hen. Ga naar onze website www.chauvetlighting.com voor contactinformatie.

Bel de corresponderende technische afdeling van Chauvet en vraag om een retouropdrachtformulier (RMA)-nummer vóór het verzenden van het product. Zorg dat u het modelnummer, serienummer en een korte beschrijving van de retouroorzaak bij de hand hebt.

Stuur het product gefrankeerd, in zijn originele doos en met zijn originele verpakking en accessoires. Chauvet geeft geen telefoon-tags.

Label het pakket duidelijk met het RMA-nummer. Chauvet weigert producten die worden geretourneerd met een RMA-nummer.



Schrijf het RMA-nummer op een voldoende bevestigd etiket. Schrijf het RMA-nummer NIET direct op de doos.

Vóór het verzenden van het product moet u de volgende informatie duidelijk op een stuk papier schrijven en het binnen de doos plaatsen:

- Uw naam:
- Uw adres:
- Uw telefoonnummer
- RMA-nummer
- Een korte beschrijving van het probleem

Zorg ervoor dat u het product voldoende inpakt. Alle verzendschade die resulteert uit onvoldoende verpakking is uw verantwoordelijkheid. FedEx-verpakking of dubbele dozen worden aanbevolen.



Chauvet behoudt zich het recht voor om (het) geretourneerde product(en) naar eigen inzicht te repareren of te vervangen.

NEEM CONTACT OP

HOOFDKANTOOR WERELD - Chauvet

Algemene Informatie

Adres: 5200 NW 108th Avenue
Sunrise, FL 33351
Bandopname: (954) 577-4455
Fax: (954) 929-5560
Toll free: (800) 762-1084

Technische Support

Bandopname: (954) 577-4455 (druk op 4)
Fax: (954) 756-8015
E-mail: tech@chauvetlighting.com

World Wide Web www.chauvetlighting.com

VERENIGD KONINKRIJK EN IERLAND - Chauvet Europe Ltd.

Algemene Informatie

Adres: Unit 1C
Brookhill Road Industrial Estate
Pinxton, Nottingham, UK
NG16 6NT
Bandopname: +44 (0)1773 511115
Fax: +44 (0)1773 511110

Technische Support

E-mail: uktech@chauvetlighting.com

World Wide Web www.chauvetlighting.co.uk

MEXICO - Chauvet Mexico

Algemene Informatie

Adres: Av. Santa Ana 30
Parque Industrial Lerma
Lerma, Mexico C.P. 52000
Bandopname: +52 (728) 285-5000

Technische Support

E-mail: servicio@chauvet.com.mx

World Wide Web www.chauvet.com.mx

CHAUVET EUROPE - Chauvet Europe BVBA

Algemene Informatie

Adres: Stokstraat 18
9770 Kruishoutem
Belgium
Bandopname: +32 9 388 93 97

Technische Support

Email: Eutech@chauvetlighting.eu

World Wide Web www.chauvetlighting.eu

Van buiten de VS, Verenigd Koninkrijk, Ierland, Mexico, of Benelux kunt u contact opnemen met de distributeur. Volg hun instructies om support aan te vragen of om een product te retourneren. Ga naar onze website voor contactinformatie.