



SLS US1290T Loudspeaker shown

Back View

**TILT CABLE KIT MODELS:**

Part #:	Fixed cable length	Color
<a href="#">TCK-008</a>	8.25" Fixed cable kit	Black
<a href="#">TCK-008-S</a>	8.25" Fixed cable kit	Silver
<a href="#">TCK-010</a>	10" Fixed cable kit	Black
<a href="#">TCK-010-S</a>	10" Fixed cable kit	Silver
<a href="#">TCK-014</a>	14" Fixed cable kit	Black
<a href="#">TCK-014-S</a>	14" Fixed cable kit	Silver
<a href="#">TCK-022</a>	22" Fixed cable kit	Black
<a href="#">TCK-022-S</a>	22" Fixed cable kit	Silver

To select the proper length tilt cable kit yourself, use the pattern maker and cable kit selector templates found on our website address listed below.

**STANDARD FEATURES:**

- Infinite tilt and locking adjustment
- Available in black or silver finish
- Standard and custom assemblies
- Close factory cable length tolerances

**SPECIFICATIONS:**

Materials:	See "Package Contents"
Color:	Black or silver
Design factor:	10:1 ratio*
Pack count:	1 set/package

**PACKAGE CONTENTS & WORKING LOAD:**

Qty.	Description	WLL (lbs/Kg)
2 pcs.	3/16" dia. Fixed cable	420/191
1 pc.	1/8" dia. Pull back cable	200/91
5 pcs.	Anchor shackles	600/272
1 pc.	Clutch lock assembly	220/100*
1 pc.	Pulley assembly	210/95
5 pcs.	Cable tie wrap	N/A

\*Clutch lock design factor = 5:1

\*\* 4-Point suspension requires additional pair of fixed length cables

WLL = Working Load Limit

# Steerables®

## Adjustable Tilt Cable Kit Vertical Orientation

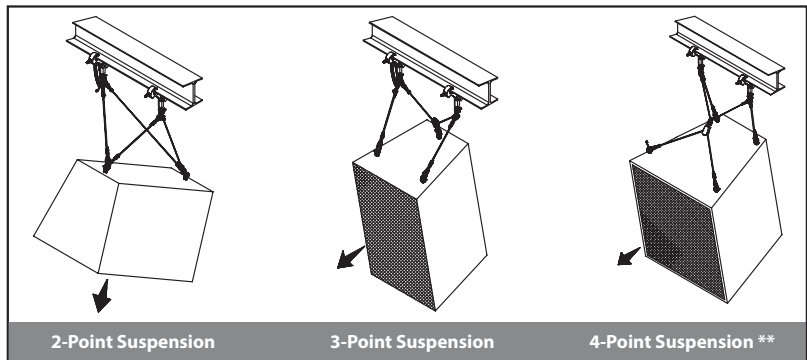
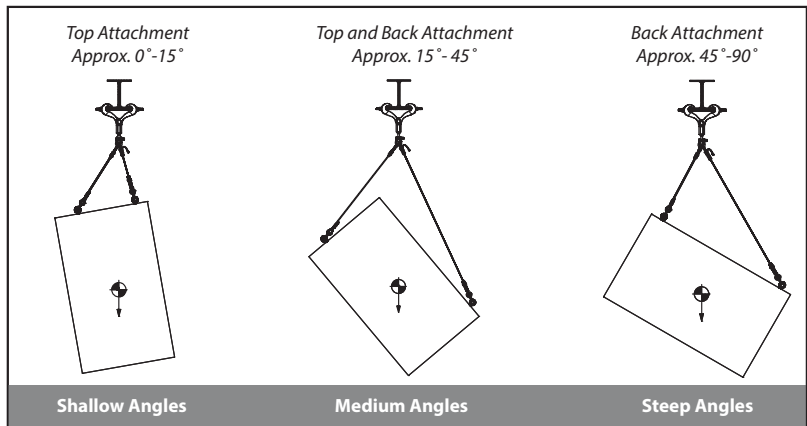
Steerables® Tilt Cable Kits are a general purpose, time saving and complete loudspeaker suspension and aiming solution. This versatile aircraft cable and pulley design allows installers to secure loudspeakers from an overhead grid structure or other suspension device, then quickly and precisely tilt them into position using the adjustable pull back feature (see Wall and ceiling Steerables®, GridLink™ data sheets).

The Steerables® Tilt Cable Kit provides a simple method of suspending and aiming loudspeakers, offering unprecedented ease of installation and aiming. Loudspeakers and other objects can be suspended to the top of the cabinet to achieve just slight down tilt angles or be suspended from the back of the cabinet to achieve a steeper

down tilt angle (See illustrations below).

The clutch lock and pulley mechanisms are at the center of this design which provides the pull back cable with an infinite range of locking positions (tilt angles). Two fixed cables provide all of the necessary structural support while the pull back cable sets the tilt angle.

Standard and custom length fixed cables are offered for a wide variety of applications and they come equipped with all the necessary components for the installation. Choose from the following standard off-the-shelf kits listed below:



A division of:  
**ADAPTIVE TECHNOLOGIES GROUP**  
 1635 E. Burnett Street  
 Signal Hill, CA 90755 USA  
 PH: 562.424.1100 FX: 562.424.3520



MADE IN THE USA

ALWAYS USE SAFETY CABLES.

[www.allenproducts.com](http://www.allenproducts.com)