

PoleStar™

Installation Instructions

Dual Adapter

For PM-DA-24, 36 and 48

Important: This kit requires that mounted objects are of equal size and weight.

Thank you for choosing the PoleStar™ Dual Adapter Kit. This all-weather, stainless steel adapter arm creates two loudspeaker mounting points from a one Support Arm or Pole Adapter. Further, the Dual Adapter accommodates many standard speaker mounts, including yokes, U-Brackets and pan and tilt mounts.

Mounting overhead systems require professional experience. **Improperly installed equipment can result in property damage, personal injury, death and/or liability to the installing contractor.** Do not install if in doubt about the integrity of the mounting structure. Due to the wide variety of mounting structures, environments, materials and mounting methods, these instructions assume that the installing contractor will exercise good judgment in selecting the proper mounting area and hardware.

Follow these instructions for the most efficient and safest mounting results.

Do not exceed the working load limit of 300lbs/136 kg.

Do not use Pneumatic tool to tighten bolts

Lubricate bolts and nuts to prevent thread galling and seizing before assembly

Package Contents:

1 pc.	PoleStar™ Dual Adapter	2 pcs.	Square Plastic End Caps
2 pcs.	Hex bolt, 1/2-13 x 3" SS	3 pcs.	Round Plastic End Caps
4 pcs.	Flat washer, 1/2" SS	5 pcs.	Hex nylock nut, 1/2-13 SS
3 pcs.	Tap bolt, 1/2-13 x 1.5" SS	6 pcs.	Split washer, 1/2, USS,SS
2 pcs.	Neo washer, 0.5x2.00x0.125	1 pc.	Anti-Seize Lubricant

Step 1.

Option A: Assemble Dual Adapter "close in" to Pole Arm (Figure 1)

This installation requires that the Pole Arm's vertical leg is down. Attach the Dual Adapter to the top of the support arm, closest to the pole or column using the included tap bolts, split lock washers and nylock nuts. Make sure the guide blocks of the dual adapter lock over the Support Arm's tube with the large hole oriented up. Tighten permanently.

Option B: Assemble Dual Adapter to "end of" Pole Arm (Figure 2)

This installation requires that the Pole Arm's vertical leg is up. Attach the Dual Adapter to the end hole of the support arm using the included hex bolts, split lock washers and nylock nuts. Be sure the guide blocks of the dual adapter lock over the Support Arm with the large hole oriented up. Tighten permanently.

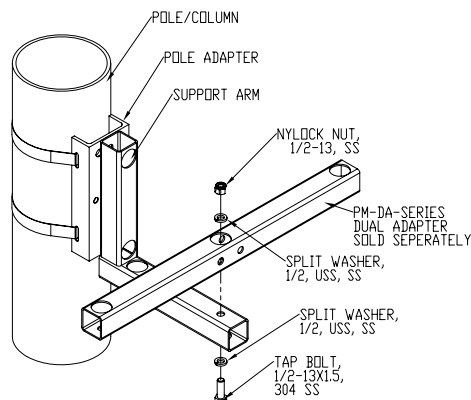


Figure. 2 Option B

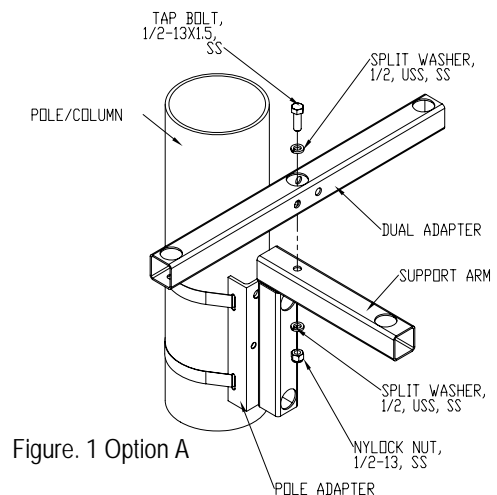
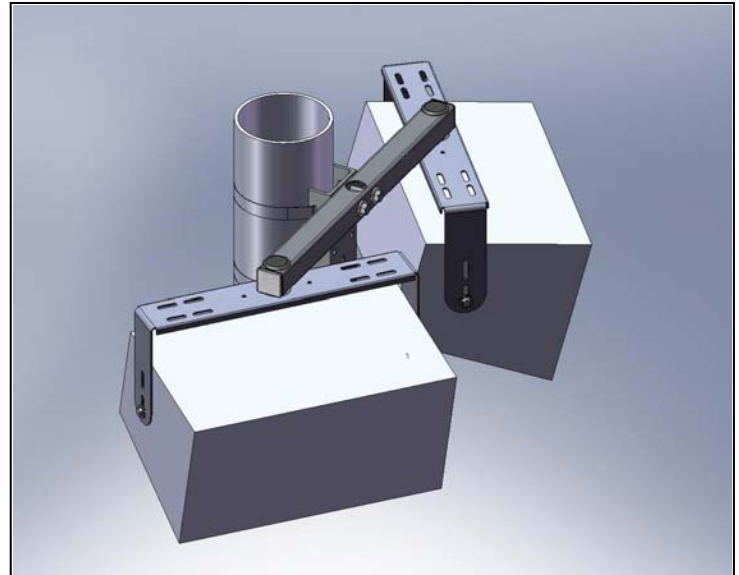


Figure. 1 Option A

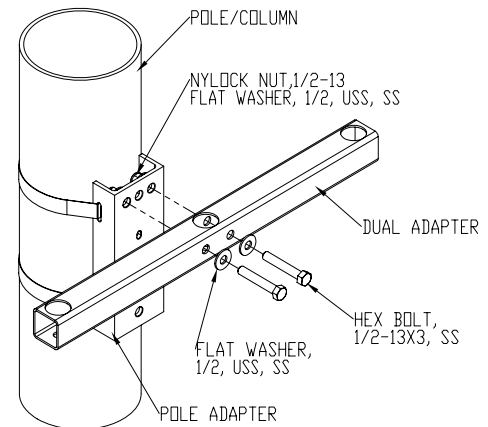


Figure. 3 Option C

Option C: Assemble Dual Adapter directly to Pole Adapter (Figure 3)
Attach the Dual Adapter directly to the pole adapter using the included 3" long bolts, washers and nuts. Be sure the large holes are facing up. Check final horizontal angle then tighten permanently.

Step 2. Attach Mounts

Attach mounts to the ends of the dual adapter using the included bolts, split lock washers and nylock nuts and rubber gasket in between the yoke bracket and the dual adapter. Check final angle then tighten bolts permanently (Figure 4).

Step 3. Install End Caps and Plugs

After installation, cover the end of the dual adapter with the end caps and the round holes with the round plugs. Trim end caps if necessary to clear bolts head and washers (Figure 5).

Step 4. Install Safety Cable

Secure a safety cable to the pole or column, and then attach the other end of the safety cable to the speaker to bypass the mounting system.

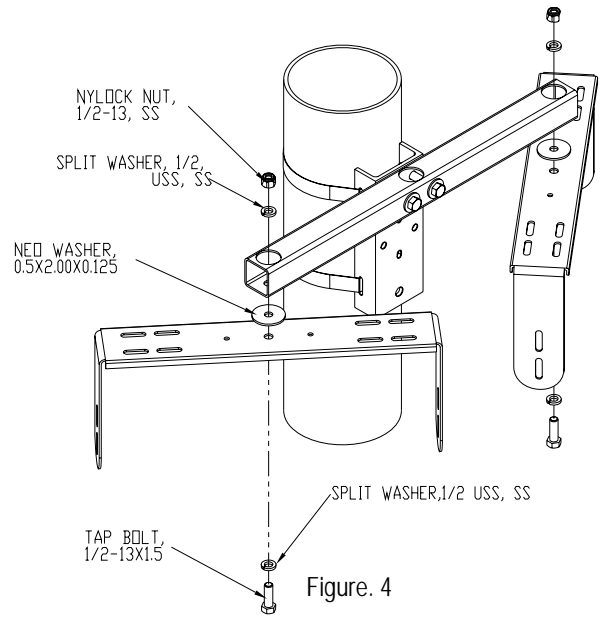


Figure 4

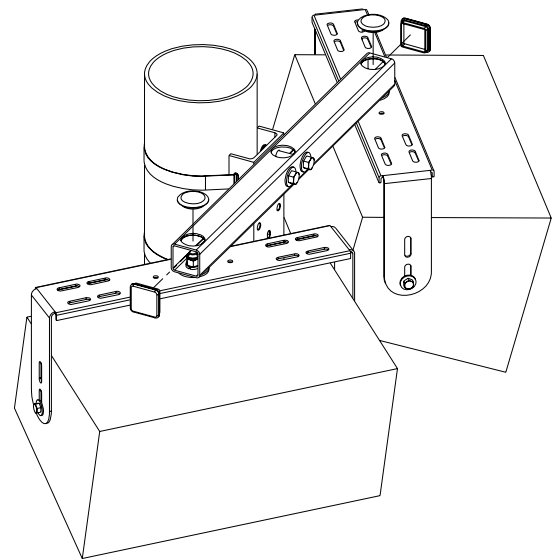


Figure 5