

# One-Way-Array™

## Suspension and Aiming for Single Cabinets

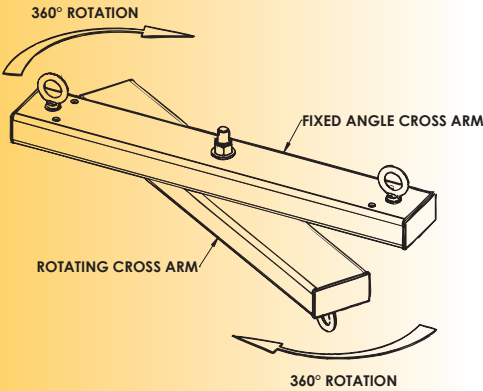
The One-Way-Array™ is an easy use load-rated and on the shelf loudspeaker rigging and aiming system for single loudspeakers. It is ideal for aiming sound for left and right of house configurations and provides side & back fill coverage where speakers cannot be wall mounted.

The top section of the One-Way-Array rigs from two overhead suspension points such as along a beam. The lower section supports the loudspeaker but rotates relative to the upper section, up to 360° horizontally. This gives

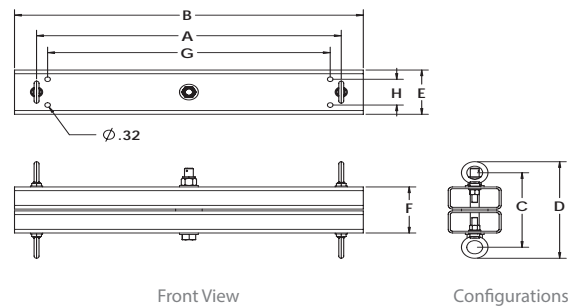
the installer precise horizontal aiming of the loudspeaker.

For precise vertical tilting, select from a variety of U-Brackets or choose the Steerables® Adjustable Tilt Cable Kit system. Load rated shackles and wire rope are included in this kit.

Typical venues include theatres, churches, school auditoriums, gymnasiums, retail, night clubs, sport arenas, meeting halls, and theme park attractions.



### DIMENSIONS:

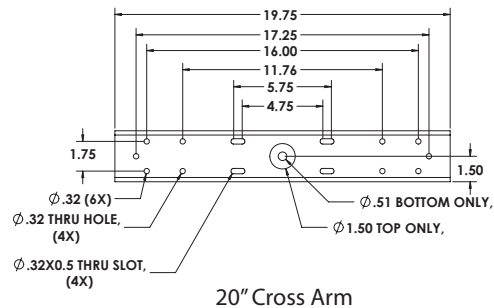


### SPECIFICATIONS:

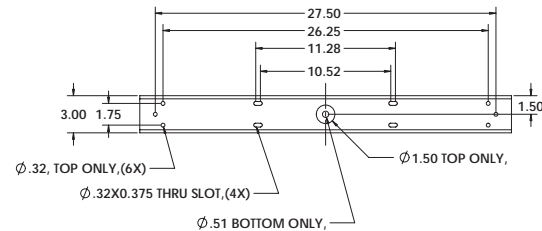
- Material: Alloy structural steel tube Powder coat paint
  - Finish: Black
  - Color: Black
  - Working load limit: 300 lbs/136 Kg.
  - Design factor: 10:1 ratio
  - Pack count: 1/carton
- \* Includes eyebolts & hardware kit

### OPTIONAL ACCESSORIES:

1. Steerables Tilt Cable Kit for tilt angle control
2. Adjustable U-Brackets for tilt angle control
3. Beam Clamps, Swivel Rings available to create hanging points
4. Eyebolts, Shackles and Turnbuckles available for complete install
5. Wire Rope components and supplies



20" Cross Arm



30" Cross Arm

### ONE-WAY-ARRAY DIMENSION TABLE

Part Number	A	B	C	D	E	F	G	H
SAS- 1WA-20	18.0"	20.0"	5.0"	5.25"	3.0"	3.13"	16"	1.75"
SAS- 1WA-30	28.0"	30.0"	5.0"	5.25"	3.0"	3.13"	28.25"	1.75"
SAS- 1WA-40	38.0"	40.0"	5.0"	5.25"	3.0"	3.13"	38.25"	1.75"

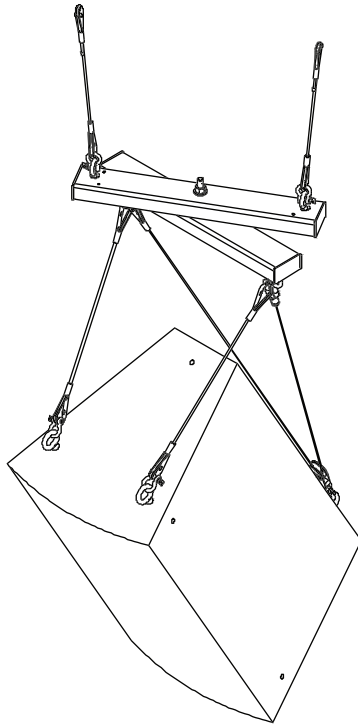


A division of:  
**ADAPTIVE TECHNOLOGIES GROUP**  
 1635 E. Burnett Street  
 Signal Hill, CA 90755 USA  
 PH: 562.424.1100 FX: 562.424.3520



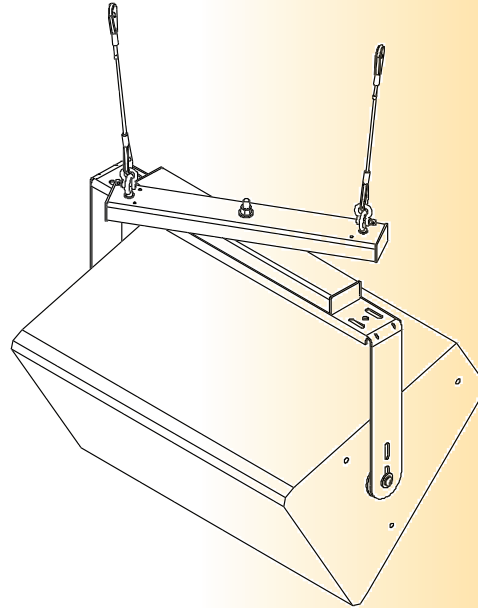
# One-Way-Array™

## Suspension and Aiming for Single Cabinets



ONE-WAY-ARRAY  
WITH STEERABLES TILT CABLE KIT  
VERTICAL ORIENTATION

One-Way-Array's standard configuration comes with eyebolts that secure to the upper and lower rotating arms. The entire assembly suspends from the upper eyebolts and the Steerables Tilt Cable Kit attaches to the lower eyebolts. Cable kits come in five different lengths to accommodate different down angles. The selected loudspeaker suspends from the cable kit and can be adjusted into any down angle.



ONE-WAY-ARRAY  
WITH U- BRACKET  
HORIZONTAL ORIENTATION

One-Way-Array's standard configuration comes with pre set holes in the lower rotating arm to accommodate standard Allen adjustable U-Brackets. To install, simply remove the center bolt, attach the selected U-Bracket using included hardware then reassemble the center bolt. Attach the loudspeaker in between the U-Bracket and tilt into position.



A division of:  
**ADAPTIVE TECHNOLOGIES GROUP**  
1635 E. Burnett Street  
Signal Hill, CA 90755 USA  
PH: 562.424.1100 FX: 562.424.3520

[www.atmflyware.com](http://www.atmflyware.com)

**WARNING:** Mounting and/or suspension of audio and video equipment requires experienced professionals. Improperly installed equipment can result in property damage, personal injury and/or liability to the installing contractor.