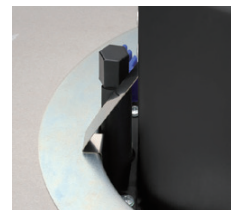
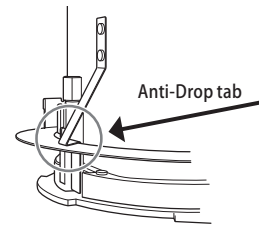




Features

A versatile line-up for clear consistent sound.

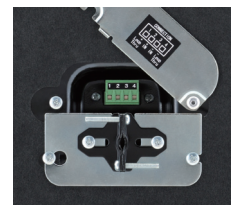
- Series offers three different woofer sizes in either black or white.
- Features newly customized transducers for superb music reproduction as well as crystal clear announcements.
- Designed with optimized bass-reflex tuning to offer a firm, tight low-end.
- Equipped with internal transformers that allow both high and low impedance drive, which can be selected by simply switching the tap on the baffle.
- Anti-Drop tab allows the speakers to be mounted temporarily in the ceiling for improved safety and ease of installation.
- A flexible carrying band makes the speakers very portable and allows carrying multiple speakers at once.
- Comes complete with O-rings and tile rails for safer and smoother installation.
- Overload protection circuit provided to protect speaker components.
- Comes with paintable speaker grilles for flexible design ideas.
- Supported by the dedicated software CISSCA (Commercial Installation Solutions Speaker Calculator).



General Specifications

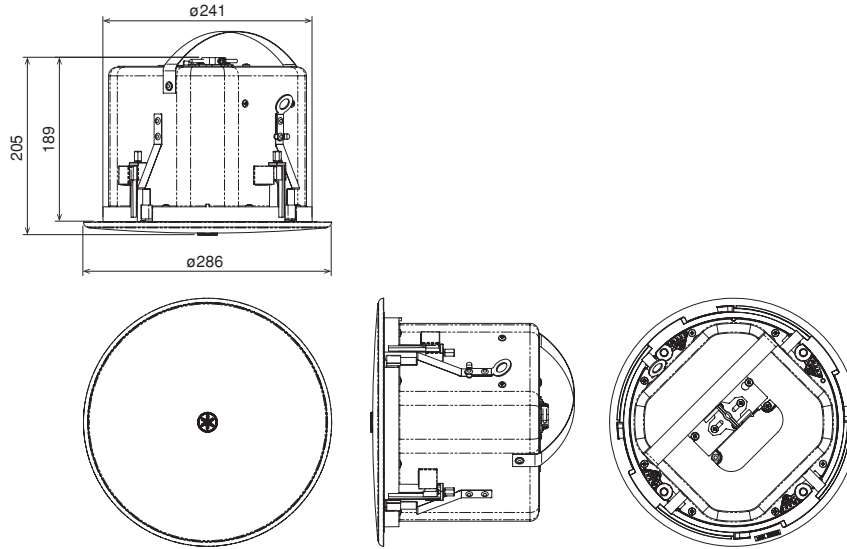
Model	VXC6 / VXC6W	
Speaker Type	2-way, Coaxial type, Acoustic Suspension	
Components	LF	6.5" Cone
	HF	0.75" Soft dome
Coverage Angle ^{*1}	110° conical	
Nominal Impedance	8Ω	
Power Rating ^{*2}	NOISE	75W
	PGM	150W
Sensitivity ^{*3} (1W,1m)	86dB SPL	
Maximum SPL (Calculated, 1m)	111dB SPL	
Frequency Range ^{*3}	-10dB	56Hz - 20kHz
Connectors	1x Euroblock (4P) (Input: + / -, Loop Thru: + / -)	
Transformer Taps	70V	60W (83Ω), 30W (170Ω), 15W (330Ω), 7.5W (670kΩ)
	100V	60W (170Ω), 30W (330Ω), 15W (670Ω)
Color (Grille)	VXC6: Black / VXC6W: White	
Dimensions (Diameter x D)	Ø286 x 205mm (Ø11.3" x 8.1")	
Weight	4.4kg (9.7lbs)	
Required Ceiling Thickness	5 - 35mm	
Ceiling Cutout Hole Diameter	247mm	
Included accessories	O-ring, Tile Rail, Cutout Template, Screws, Owner's Manual	

*1 500Hz - 4kHz *2 IEC *3 Half space

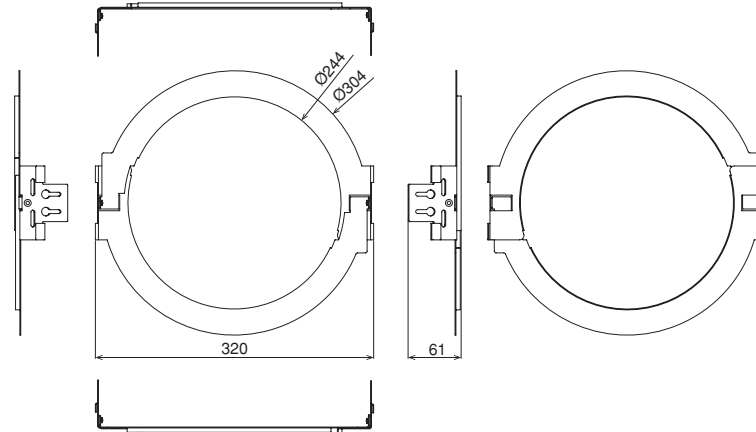


■ Dimensions

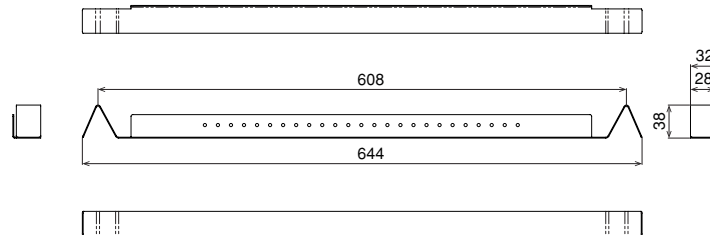
Unit: mm



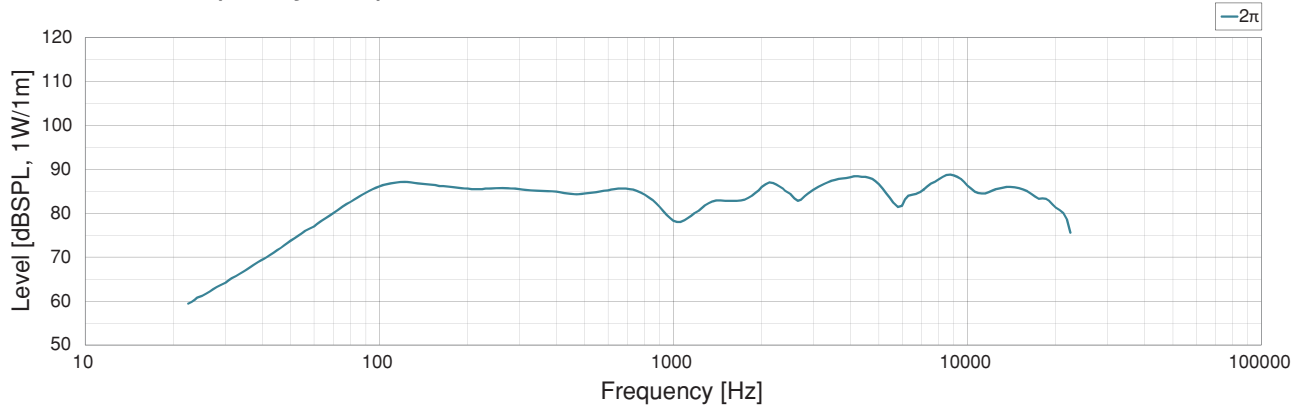
O-ring



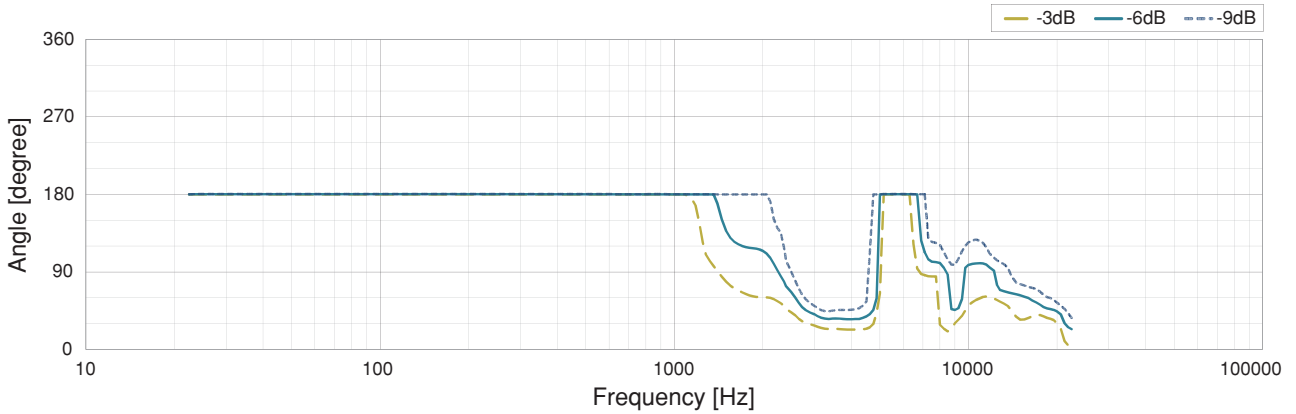
Tile Rail



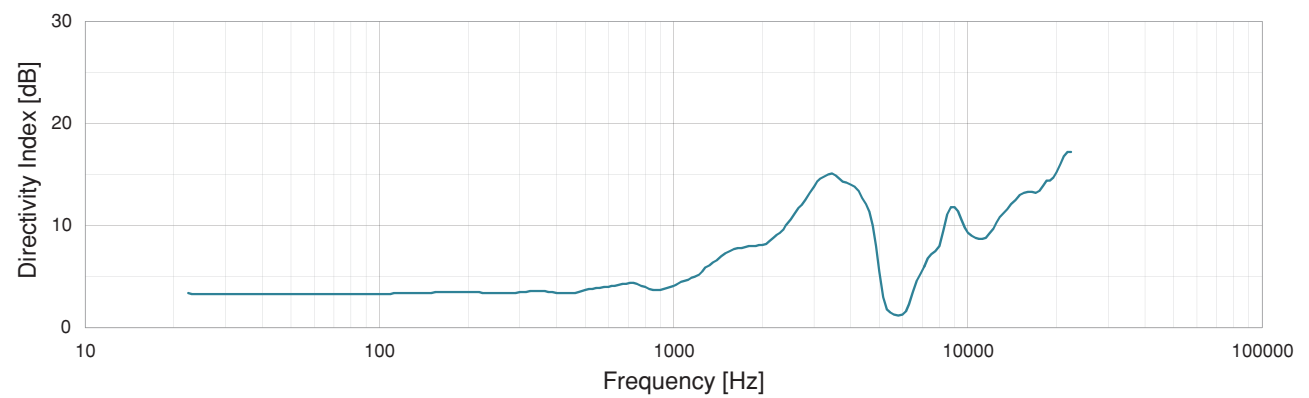
On-axis Frequency Response



Beamwidth



Directivity Index



Polar Plots

