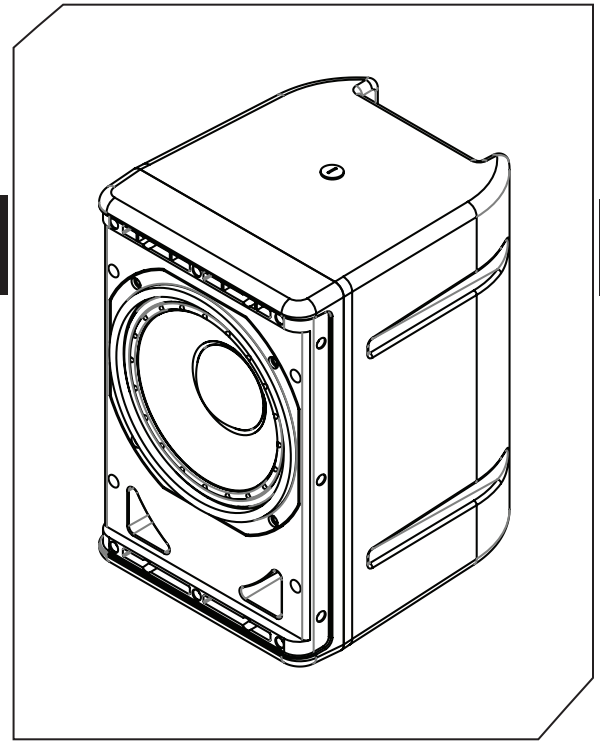


108HTC[™]

DIRECT WEATHER HIGH PERFORMANCE LOUDSPEAKER SYSTEM

The One Systems 108HTC is a universal direct weather loudspeaker system designed for use in both Marine environments and general purpose inland environments. The 8 inch coaxial design provides point source acoustic radiation from a compact enclosure. The 108HTC utilizes 316- grade stainless steel (marine-grade) for all structural and rigging points. All associated One Systems rigging accessories are also 316-grade stainless steel. All metal components that are not structural feature a newly developed marine-grade powder coat over 304-grade stainless steel. This allows the 108HTC to be used in ocean front and cruise ship applications, as well as in general direct weather installations. **IMPORTANT NOTE:** For ocean front and marine environments the included “vent plugs” **must** be installed in the loudspeaker vents! The 108HTC also features an installer configurable High Z or Lo Z mode. The High Z mode features a wide bandwidth 150-watt autoformer that presents input taps of 150 watts, 75 watts, and 37.5 watts. The Lo Z mode is 8-ohms. The simple configuration process is found on the third page of this data sheet, or on the One Systems web site (www.onesystems.com). The configuration scheme does not utilize any switches that limit system reliability. The Hi Z mode allows for either 70.7Vrms or 100Vrms operation. The 108HTC offers a medium-format titanium compression driver and high-order filtering that provides superb intelligibility, extended bandwidth, as well as superior system dynamics.

The 108HTC is optimized for outdoor short throw to medium throw applications such as theme parks, parade routes, baseball and football stadiums, and other entertainment/sports venues where permanent installation is required. The 108HTC is a very versatile design that offers high performance in a small physical package.



FEATURES & BENEFITS

- » Marine-grade (316) stainless steel rigging and structural support
- » Easily configurable Hi Z (150 Watt) multi tap or Lo Z (8 ohm) operation
- » Combined 70.7Vrms or 100Vrms operation
- » No performance degrading or dynamics limiting passive protection devices
- » 200 watts continuous, 400 watts peak power handling in the Lo Z mode
- » IEC 529 IP 45 ingress protection (IP 56 with vent plugs)

SPECIFICATIONS

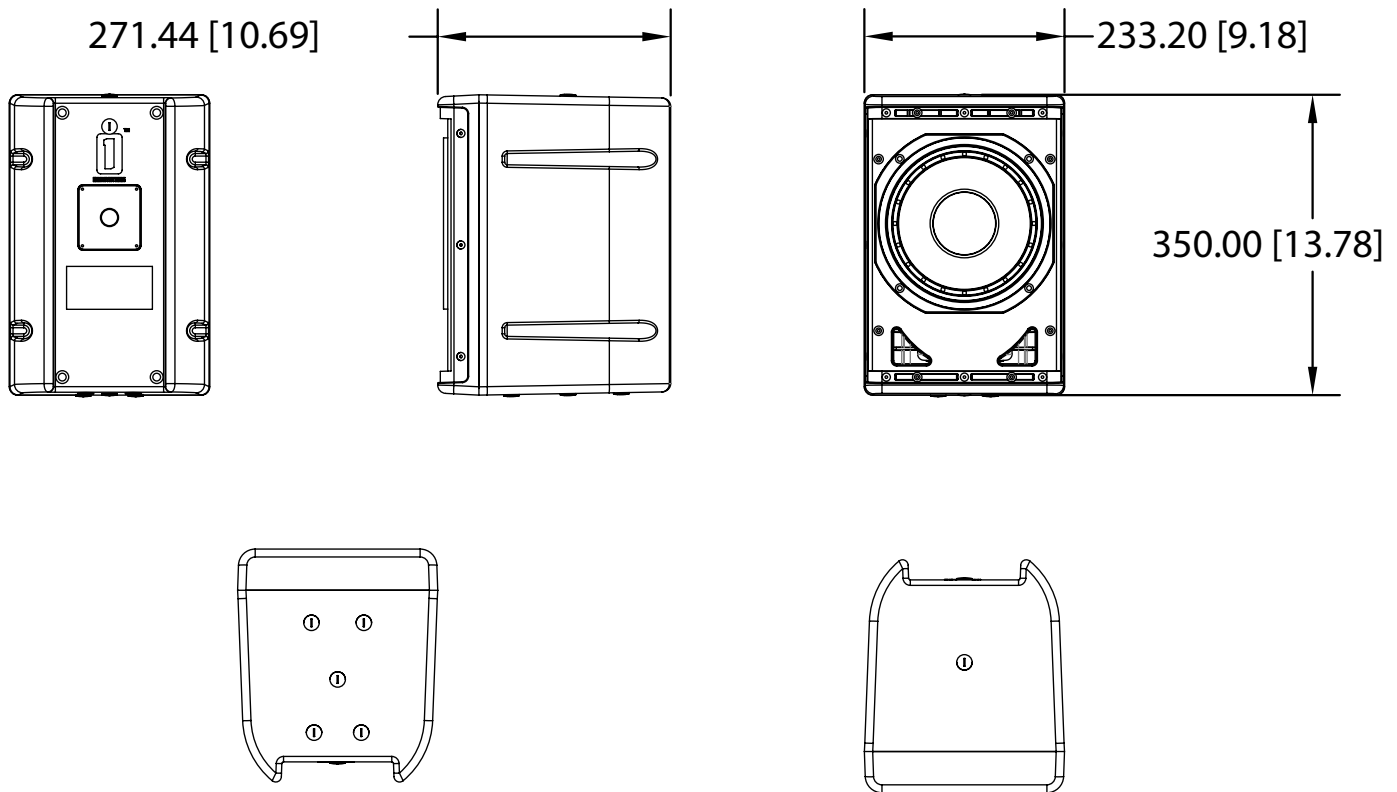
Frequency Response:	70Hz – 16,000Hz	Dimensions (H x W x D) mm:	350 x 233.2 x 271.4
Coverage Pattern:	70 x 70 Conical	Dimensions (H x W x D) in:	13.8 x 9.2 x 10.7
Crossover Frequency:	1600 Hz		
System Sensitivity (1 Watt / 1 Meter):	92dB		
Power Handling:	200 watts continuous 400 watts program 800 watts peak		
Input Impedance (Lo Z):	8-ohms		
Input Taps (Hi Z):	150 watts, 75 watts, 37.5 watts		
Weight:	13.6kg (29.9 lb.)		

108HTC[™]

DIRECT WEATHER HIGH PERFORMANCE LOUDSPEAKER SYSTEM

The 108HTC is a two-way design featuring a wide coverage pattern of 70 degrees by 70 degrees. The pattern is conical. This medium Q pattern is ideal for short to medium throw applications and where higher sound pressure levels and longer throw are specified. The high frequency wave guide provides optimal loading for the true compression driver. The 8-inch low frequency component features a very large voice coil diameter, insures high reliability and excellent linearity.

The One Systems 108HTC features 7 each M8 rigging points on the enclosure. These rigging points may be used with the One Systems PM3/M pole mount system or the PT38/M rigging brackets. The PT38/M is used for flat surface mounting. An optional U-bracket, the 108HTC-U/M is also available as an accessory. The enclosure is an injection molded design that utilizes a high-impact copolymer material that exhibits superior weather resistance. The 108HTC is available in either black or white color. Both color options are stabilized for ultra violet exposure. The enclosure features a three-layer "rain shield" grille design and an input weather cover with a water proof gland nut. The system ingress protection is rated at IP 45 in normal configuration and IP 56 when the vent plugs are utilized.



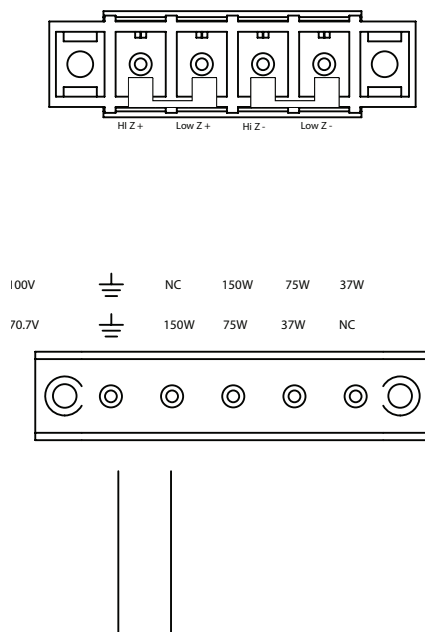
108HTC™

DIRECT WEATHER HIGH PERFORMANCE LOUDSPEAKER SYSTEM

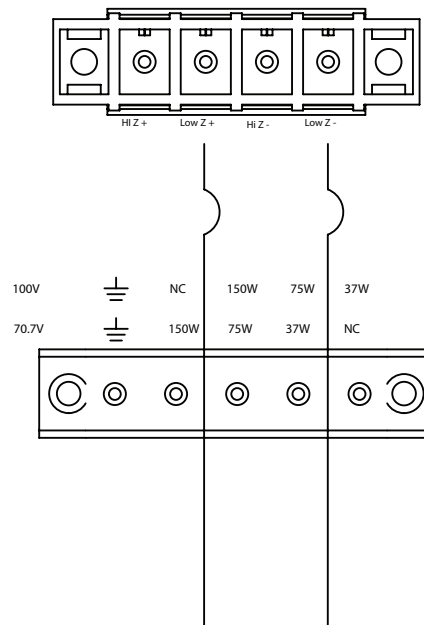
The One Systems 108HTC is designed to be easily configured for either low impedance (Lo Z) 8- ohm operation or Hi Z (70.7Vrms or 100Vrms) operation. The 108HTC is shipped from the factory configured for Hi Z (70.7Vrms or 100Vrms) operation. In this mode the wiring from an amplifier is connected to the lower (5-position) barrier strip. **No** wiring is required on the top (4 position) barrier strip. The two “shorting” links (shown in the image) must be left in place for Hi Z operation. The image on the left represents the Hi Z configuration.

The lower (5-position) barrier strip may be wired for either 70.7Vrms or 100V operation. The specific positions used are determined by whether 70.7Vrms or 100Vrms wiring is required.

For Lo Z (8-ohm) operation the two “shorting” links must be removed. **All** wiring for Lo Z operation is on the top (4=position) barrier strip. The lower (5-position) barrier strip is **not** used for Lo Z operation. For Lo Z operation the “Low Z +” and “Low Z -” positions on the 4-position barrier strip are used. **Do not** wire to the “High Z +” or the “High Z -” positions for Lo Z operation. The image on the right shows the two “shorting” links removed and the amplifier wiring to the “Low Z +” and “Low Z -” positions.



FROM HI Z
AMPLIFIER



FROM LO Z
AMPLIFIER