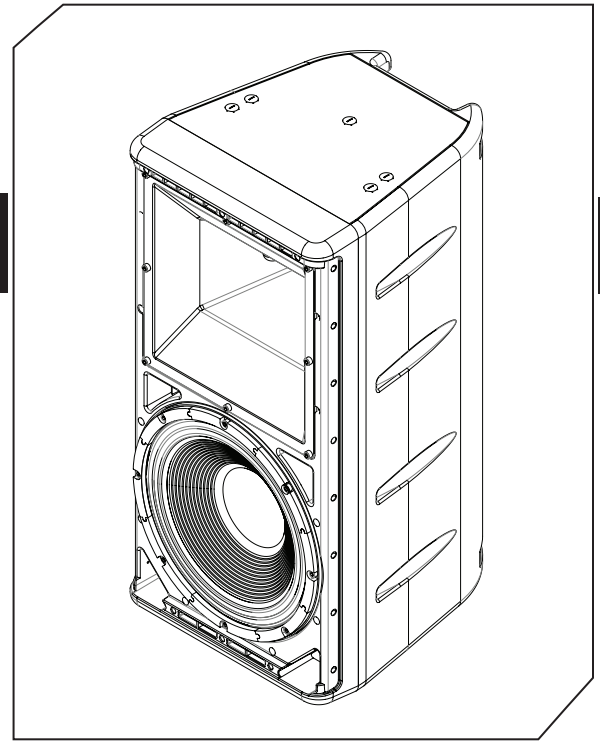


# 112HTH<sup>™</sup>

## DIRECT WEATHER HIGH PERFORMANCE LOUDSPEAKER SYSTEM

The One Systems 112HTH is a universal direct weather loudspeaker system designed for use in both marine environments and general purpose inland environments. The 12-inch two-way design provides high level acoustic radiation and extended low frequency response from a compact enclosure. The 112HTH utilizes 316-grade stainless steel (marine-grade) for all structural and rigging points. All associated One Systems rigging accessories are also 316-grade stainless steel. All metal components that are not structural feature a newly developed marine-grade powder coat over 304-grade stainless steel. This allows the 112HTH to be used in ocean front and cruise ship applications, as well as in general direct weather installations. **IMPORTANT NOTE:** For ocean front and marine environments, the included “vent plugs” **must** be installed in the loudspeaker vents! The 112HTH also features an installer configurable High Z or Lo Z mode. The High Z mode features a wide bandwidth 1 50-watt autoformer that presents input taps of 150 watts, 75 watts, and 37.5 watts. The Lo Z mode is 8 ohms. The simple configuration process is found on the third page of this data sheet, or on the One Systems web site ([www.onesystems.com](http://www.onesystems.com)). The configuration scheme does not utilize any switches that limit system reliability. The Hi Z mode allows for either 70.7Vrms or 100Vrms operation. The 112HTH offers a large format titanium compression driver and high order filtering to provide superb intelligibility, extended bandwidth, as well as superior system dynamics. For extended bandwidth applications, the 112 HTH may be coupled with the 118HSB in a bi-amp configuration to provide full bandwidth operation at very high sound pressure levels and with a very small footprint.



### FEATURES & BENEFITS

- » Marine-grade (316) stainless steel rigging and structural support
- » Easily configurable Hi Z (150 watt) multi tap or Lo Z (8 ohm) operation
- » Combined 70.7Vrms or 100Vrms operation
- » Rotatable High frequency horns
- » ET-60/40 horn supplied and ET-105/60 horn available
- » No performance degrading or dynamics limiting passive protection devices
- » 800 watts continuous, 3200 watts peak power handling in Lo Z mode
- » IEC 529 IP 45 ingress protection (IP 56 when vent plugs are installed)

### SPECIFICATIONS

<b>Frequency Response:</b>	60Hz – 16,000Hz	<b>Input Impedance (Lo Z):</b>	8-ohms
<b>Coverage Pattern:</b>	ET-60/40, 60 x 40 degrees	<b>Input Taps (Hi Z):</b>	150 watts, 75 watts, 37.5 watts
	ET-105/60, 105 x 60 degrees	<b>Weight:</b>	35.3kg (77.8 lb.)
<b>Crossover Frequency:</b>	1,300 Hz (rotatable 105 x 60)	<b>Dimensions (H x W x D) mm:</b>	749 x 368 x 414
	1,800 hz (rotatable 60 x 40)	<b>Dimensions (H x W x D) in:</b>	29.5 x 14.5 x 16.3
<b>System Sensitivity (1 Watt / 1 Meter):</b>	96dB		
<b>Power Handling:</b>	800 watts continuous		
	1600 watts program		
	3200 watts peak		

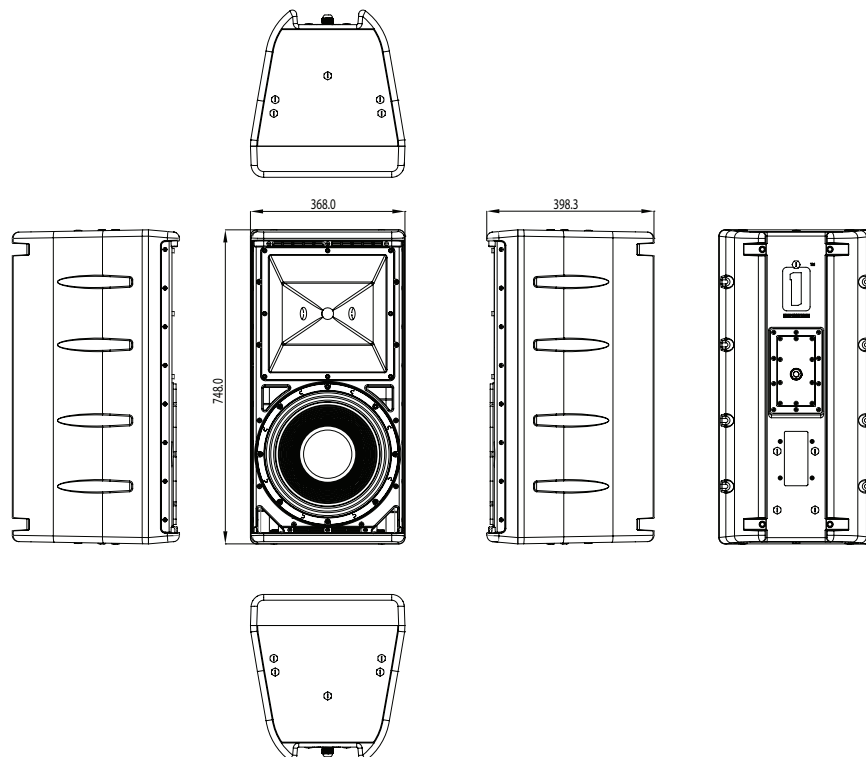
# 112HTH<sup>™</sup>

## DIRECT WEATHER HIGH PERFORMANCE LOUDSPEAKER SYSTEM

The 112HTH is optimized for outdoor short throw to medium throw applications such as theme parks, parade routes, baseball and football stadiums, and other entertainment/sports venues where permanent installation is required. The 112HTH is an extremely versatile design that offers high performance in a small physical package. The 12-inch woofer offers substantial extended low frequency output.

The 112HTH is a two-way design that features rotatable and interchangeable high frequency horns. The 112HTH has a rotatable 60 x 40 degree horn installed. A wide coverage pattern 105 x 60 horn may be ordered through One systems that is also fully rotatable. The medium Q, 60 x 40 pattern is ideal for medium throw applications and where venue or space acoustics require a tighter high frequency pattern. The 105 x 60 high frequency wave guide is an optional accessory that provides broad dispersion and controlled coverage. The 12-inch nominal diameter low frequency component features a very large voice coil diameter and insures high reliability and excellent linearity.

The One Systems 112HTH features 15 each M10 rigging points. These rigging points may be used with the One Systems PT76/M pan and tilt system or the PM4/M pole mount system rigging brackets. The PT76/M is used for flat surface mounting. An optional U-bracket, the 112HTH-U/M, is also available as an accessory. The enclosure is an injection molded design that utilizes a high-impact copolymer material that exhibits superior weather resistance. The 112HTH is available in either black or white color. Both color options are stabilized for ultra violet exposure. The design also features a three-layer "rain shield" grille, as well as an input weather cover with a waterproof gland nut. The system ingress protection in normal mode is IP 45. When the vent plugs are installed the ingress protection is IP 56.



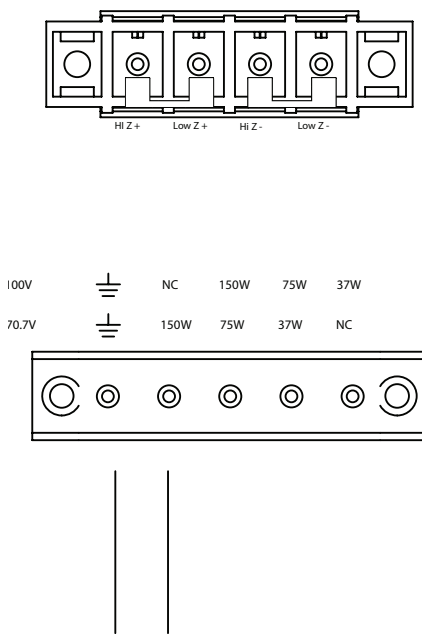
# 112HTH™

## DIRECT WEATHER HIGH PERFORMANCE LOUDSPEAKER SYSTEM

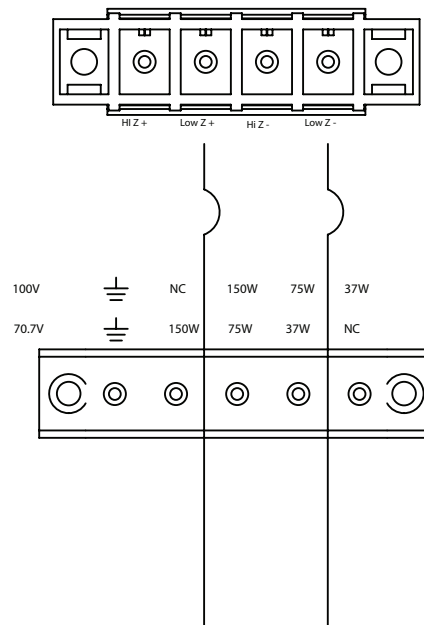
The One Systems 112HTH is designed to be easily configured for either low impedance (Lo Z) 8- ohm operation or Hi Z (70.7Vrms or 100Vrms) operation. The 112HTH is shipped from the factory configured for Hi Z (70.7Vrms or 100Vrms) operation. In this mode the wiring from an amplifier is connected to the lower (5-position) barrier strip. **No** wiring is required on the top (4- position) barrier strip. The two “shorting” links (shown in the image) must be left in place for Hi Z operation. The image on the left represents the Hi Z configuration.

The lower (5-position) barrier strip may be wired for either 70.7Vrms or 100V operation. The specific positions used are determined by whether 70.7Vrms or 100Vrms wiring is required.

For Lo Z (8 ohm) operation, the two “shorting” links must be removed. **All** wiring for Lo Z operation is on the top (4-position) barrier strip. The lower (5-position) barrier strip is **not** used for Lo Z operation. For Lo Z operation the “Low Z +” and “Low Z -” positions on the 4-position barrier strip are used. **Do not** wire to the “High Z +” or the “High Z -” positions for Lo Z operation. The image on the right shows the two “shorting” links removed and the amplifier wiring to the “Low Z +” and “Low Z -” positions.



FROM HI Z  
AMPLIFIER



FROM LO Z  
AMPLIFIER