

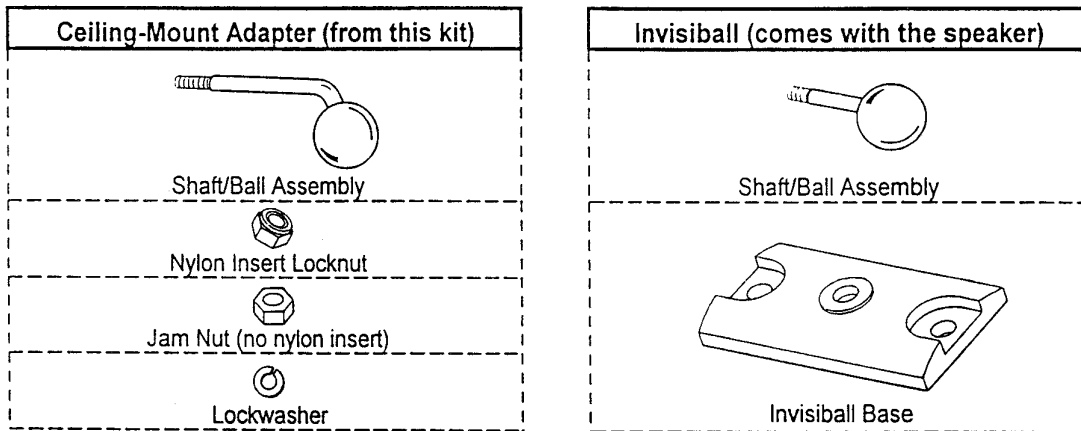
Ceiling Mount Adapters

MTC-23CM (for Control 23)

MTC-28/25CM (for Control 28 and Control 25)

Your JBL ceiling-mount adapter allows Control Contractor Series loudspeakers to be installed hanging down from a ceiling or beam. The adapter does not come with a base and requires the use of your existing Invisiball base (which comes with your loudspeaker).

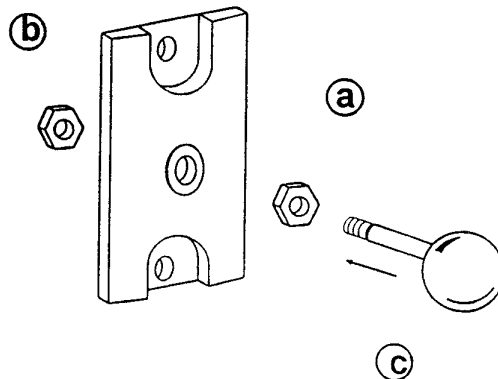
PARTS IDENTIFICATION: (MTC-23CM shown)



CHANGING OVER THE INVISIBALL™ BASE:

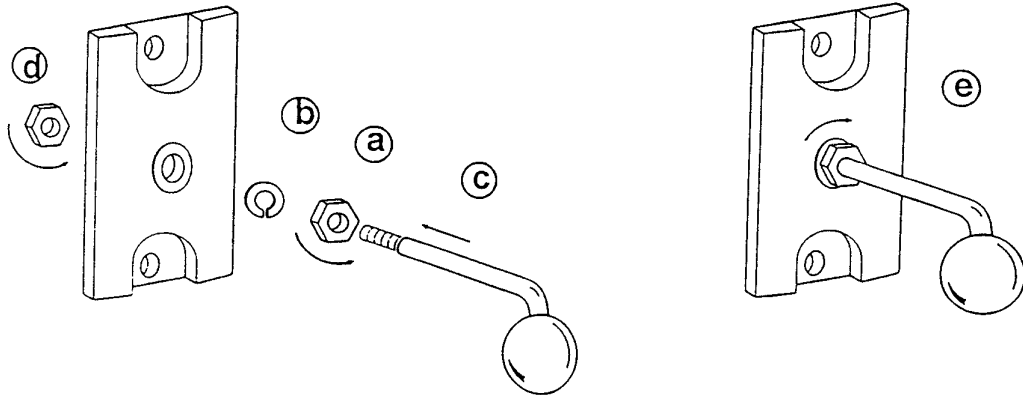
To remove the existing shaft/ball assembly from the base:

- Loosen the nut top of the base
- Remove the nylon insert locknut, which is on the bottom of the base
- Pull the shaft out of the base.



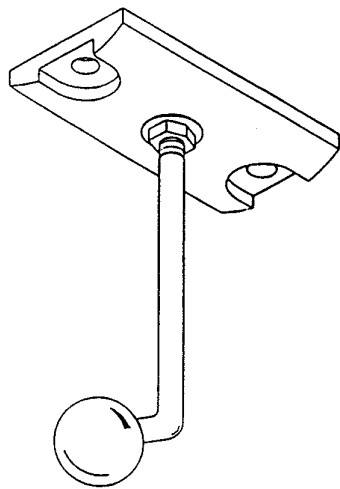
To install a new ceiling-mount shaft/ball assembly to the invisiball base:

- a) Thread the plain nut (the one without the nylon insert) onto the shaft, as far as it goes.
- b) Put the lockwasher onto the shaft.
- c) Insert the shaft into the base.
- d) Thread the new nylon insert locknut (enclosed) onto the shaft. Make sure it locks securely onto the shaft.
- e) Lower the jam nut back toward the base. Using a wrench, make sure this jam nut is secured down very tightly onto the base.

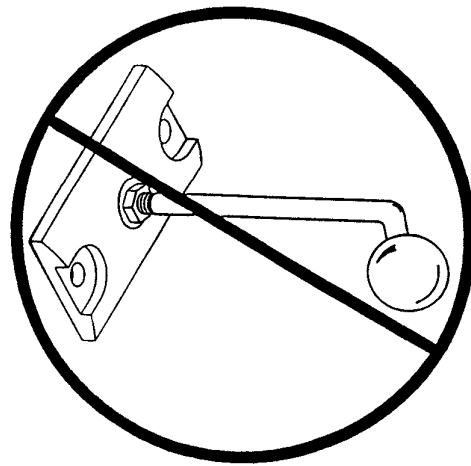


USING THE CEILING-MOUNT BRACKET:

These brackets are designed only for mounting Control Contractor loudspeakers down from a ceiling or beam - the shaft must hang vertically (up & down). It may not be capable of supporting a speaker when mounted horizontally.



CORRECT



INCORRECT