

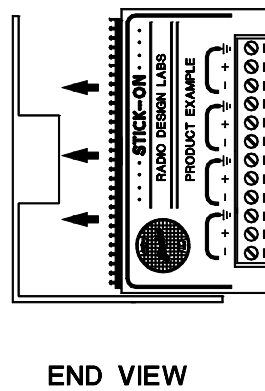
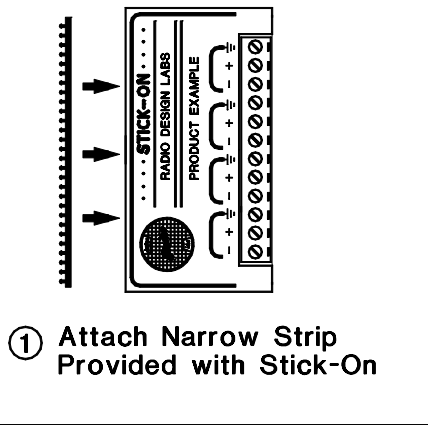
ACCESSORIES

Models STR-19B / SR-10

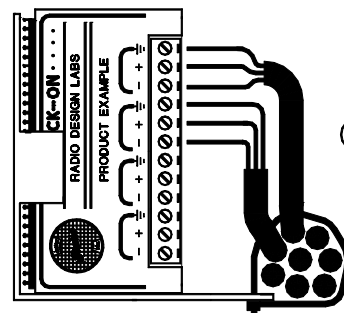
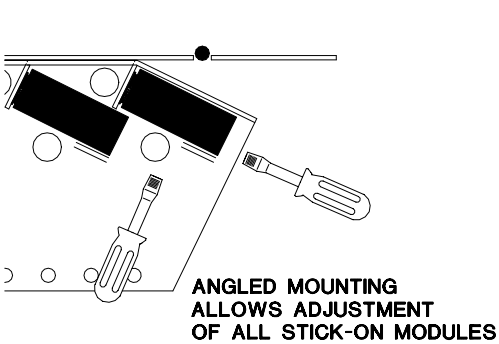
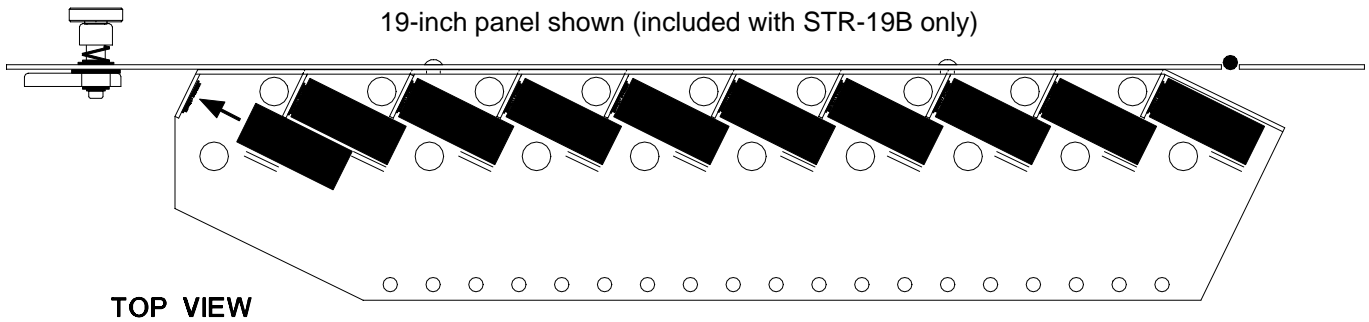
Installation/Operation



EN55103-1 E1-E5; EN55103-2 E1-E4
Typical Performance reflects product at publication time exclusive of EMC data, if any, supplied with product. Specifications are subject to change without notice.



② Slide Stick-On Into One of Ten Angled Slots



③ Use Cable Ties to Secure Wiring to Modules