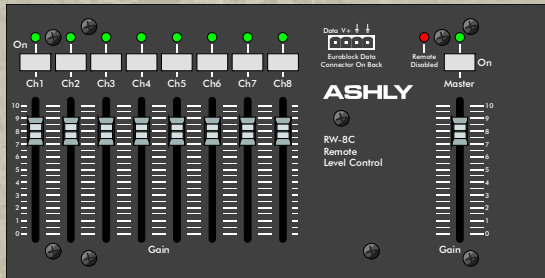
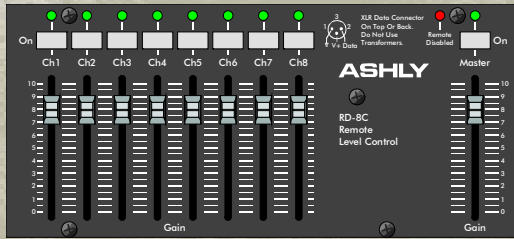




RD-8C, RW-8C

Remote Control



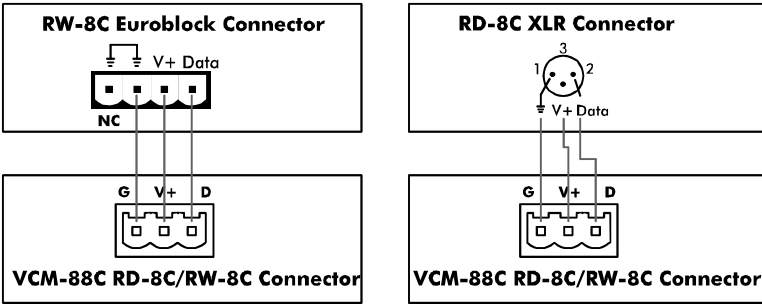
ASHLY AUDIO INC.

847 Holt Road Webster, NY 14580-9103

Phone: (585) 872-0010 Toll-Free: (800) 828-6308

Fax: (585) 872-0739 www.ashly.com

Introduction: The RD-8C and RW-8C are remote level controllers which can be used with the VCM-88C, Protea 24.24M, and certain future Ashly products. The RD-8C is a desktop controller, while the RW-8C is electronically the same but mounts as a wall plate using a standard 4-gang electrical box. There are eight channels and a master, each with a level control and an on/off button. The Remote Disabled LED indicates when the RD/RW-8C has been disabled from the VCM-88C front panel switch. *Note: The Remote Disabled LED will illuminate when the VCM-88C Remote Disable switch is pushed in, and communication will be inhibited.*

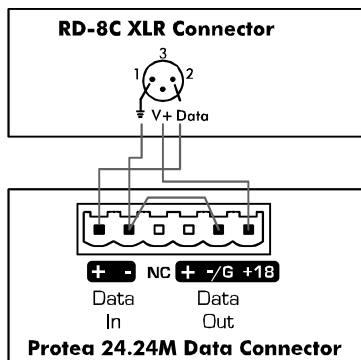
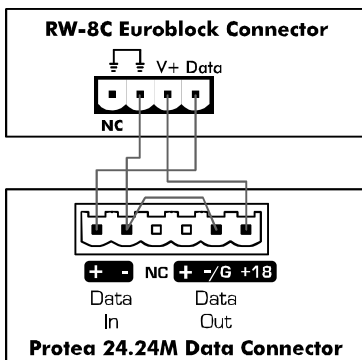


Used with the VCM-88C, the RD/RW-8C offers a direct correlation of remote faders to VCM-88C channels, as well as its master fader. Connect the RD-8C or RW-8C to a VCM-88C as follows:

Channel 1 on a RD/RW-8C will always control channel 1 on the VCM-88C, and likewise channels 2-8 and the master will each control their respective VCM-88C channel. The data output signal may be “split” in order to feed two VCM-88C units to give stereo 8-channel capability.

Used with the Protea 24.24M DSP Matrix Processor, and using Protea System Software version 6.4 or higher, each RD/RW-8C slide fader can be assigned to attenuate any 24.24M input, output, or input/output combination, limited only by the number of available 24.24M channels. *Only one RD/RW-8C can be used per 24.24M.* Connect the RD-8C or RW-8C to a 24.24M as follows:

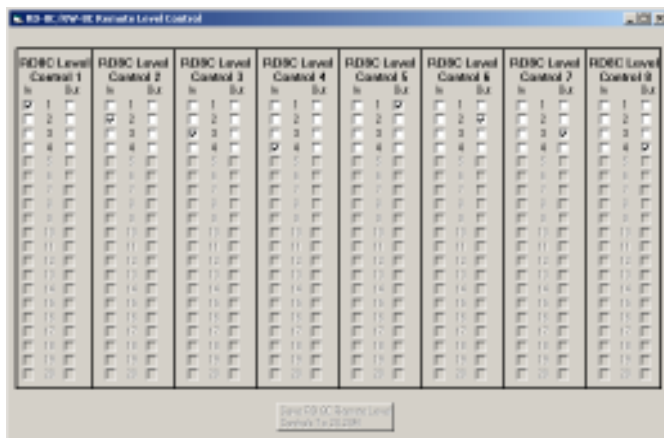
The remote will not function simultaneously with any other serial communications device connected to the 24.24M at the same time. The software programming needs to be done before connecting the remote. After the 24.24M is programmed for the desired RD-8C fader assignments, the computer must be disconnected from the



Note: On newer 24.24M units which show an illustration of WR-5 wiring on the back panel, it is not necessary to wire pin 2 and pin 5 together at the 24.24M data connector.

24.24M before the remote can be connected. The 24.24M will remember the last level settings that were sent from the remote after it is disconnected, UNTIL the 24.24M is powered down. For example, if the remote sent mute messages, the muted 24.24M channels will remain muted after the remote is disconnected. If the 24.24M is power cycled with the remote disconnected, the 24.24M levels affected by the RD-8C fader assignments will return to the original settings they started at before the remote was introduced.

Within Protea System Software, select <24.24M Matrix Processor> under the device menu, then select <RD-8C Fader Assignments> under the options menu. The resulting pop-up box allows complete custom assignment of 24.24M inputs or outputs to any RD/RW-8C fader channel.



Specifications:	RD-8C	RW-8C
Fader Range: +10dB to -75dB	+10dB to -75dB
Connections: XLR Male	Two-piece Euroblock
Max Data Cable Length:		
With VCM-88C up to 1000 ft using #24 gauge twisted pair	
With 24.24M up to 1000 ft using #24 gauge twisted pair	
Power Requirements: phantom powered	phantom powered
Shipping Weight: 3 lbs (1.4kg)	3 lbs (1.4kg)
Dimensions: 7.3”(185mm)L 3.4(87)H 1.6(41)D	7.94”(202mm)L 4.0(103)H 0.8(20)D
Environmental: 40-120 deg. F (4-49 deg, C) noncondensing	40-120 deg. F (4-49 deg, C) noncondensing

WARRANTY INFORMATION

The unit you have just purchased is protected by a limited five-year warranty. To establish the warranty, be sure to read completely, fill out and return the warranty card that came with your product. Fill out the information below for your records.

Serial Number _____

Dealer _____

Date of Purchase _____

Dealer's Address _____

Dealer's Phone _____

© 2008 by Ashly Audio Corporation. All rights reserved worldwide.