

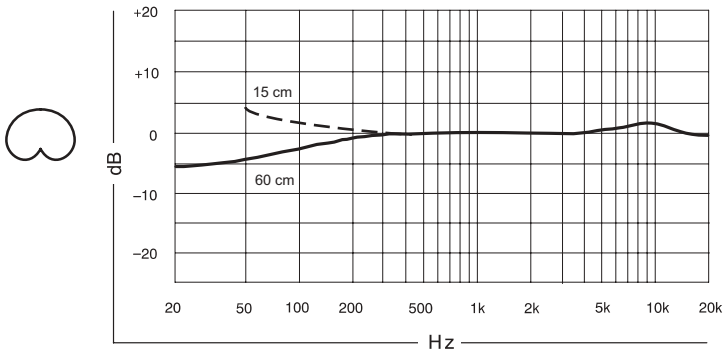
## SPECIFICATIONS

<b>Cartridge Type</b>	Permanently Biased Condenser
<b>Frequency Response</b>	20-20,000 Hz (see Figures 3 and 5)
<b>Directional Polar Pattern</b>	Cardioid/Omnidirectional (see Figures 4 and 6)
<b>Output Impedance</b>	150 $\Omega$ (actual)
<b>Attenuation Switch</b>	0 dB, 15 dB, or 25 dB attenuation
<b>Low Frequency Response Switch</b>	Flat; -6 dB/octave below 115 Hz; -18 dB/octave below 80 Hz
<b>Phantom Power</b>	48 Vdc $\pm$ 4 Vdc (IEC-268-15/DIN 45 596), positive pins 2 and 3
<b>Current Drain</b>	4.65 mA typical at 48 Vdc
<b>Common Mode Rejection</b>	$\geq$ 50 dB, 20 Hz to 20 kHz
<b>Polarity</b>	Positive pressure on diaphragm produces positive voltage on output pin 2 relative to pin 3
<b>Dimensions and Weight</b>	20 mm (0.8 in.) diameter, 145 mm (5.75 in.) long; 156 grams (5.5 oz.) (see Figure 7)
<b>Sensitivity (typical, at 1000 Hz; (1 Pa = 94 dB SPL)</b>	-37 dBV/Pa
<b>Self-noise (typical, equivalent SPL; A-weighted, IEC 651)</b>	14 dB
<b>Maximum SPL at 1 kHz 5000 <math>\Omega</math> load (Attenuator on) 2500 <math>\Omega</math> load (Attenuator on) 1000 <math>\Omega</math> load (Attenuator on)</b>	145 (160, 170) dB 139 (154, 164) dB 134 (149, 159) dB
<b>Output Clipping Level* 5000 <math>\Omega</math> load 2500 <math>\Omega</math> load 1000 <math>\Omega</math> load</b>	15 dBV 9 dBV 3 dBV
<b>Dynamic Range 5000 <math>\Omega</math> load 2500 <math>\Omega</math> load 1000 <math>\Omega</math> load</b>	131 dB 125 dB 120 dB
<b>Signal to Noise Ratio**</b>	80 dB

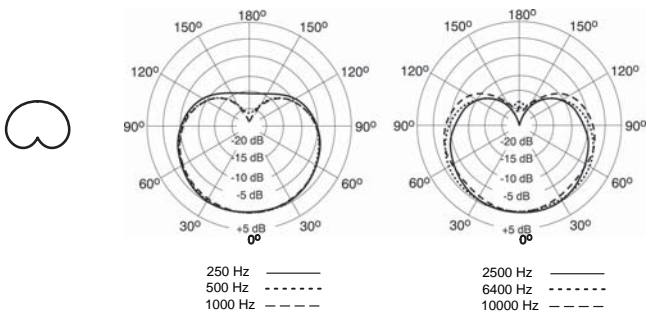
\*20 Hz to 20 kHz; THD < 1%. THD of the microphone preamplifier when applied input signal is equivalent to the cartridge output at specified SPL.

\*\*S/N ratio is difference between 94 dB SPL and equivalent SPL of self-noise A-weighted.

# CARDIOID RESPONSE GRAPHS



**FIGURE 3. CARDIOID FREQUENCY RESPONSE**



**FIGURE 4. CARDIOIDE POLAR PATTERNS**

## OMNIDIRECTIONAL RESPONSE GRAPHS

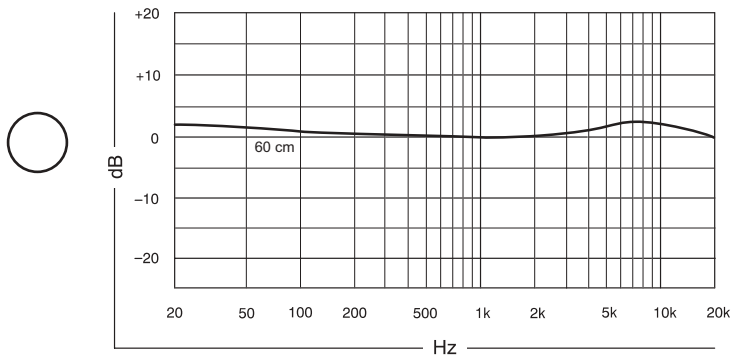


FIGURE 5. OMNIDIRECTIONAL FREQUENCY RESPONSE

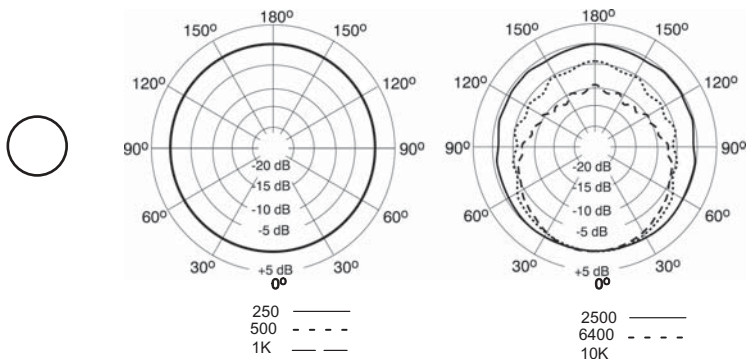


FIGURE 6. OMNIDIRECTIONAL POLAR PATTERNS

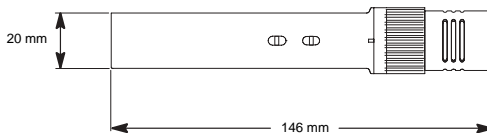


FIGURE 7. DIMENSIONS