

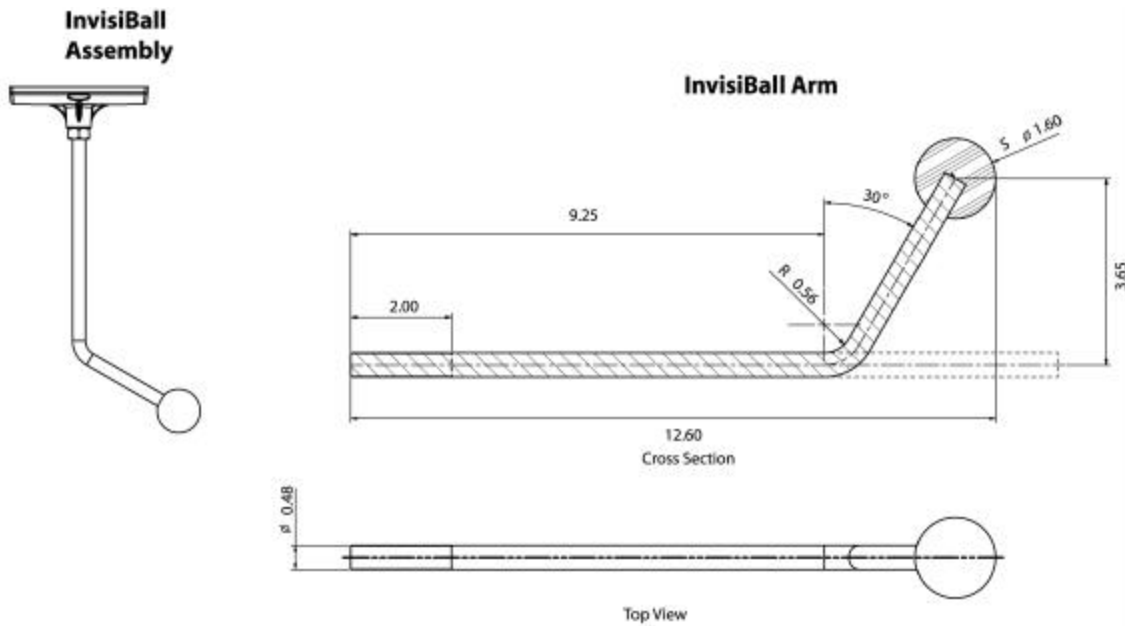


# MTC-29CM(-WH)

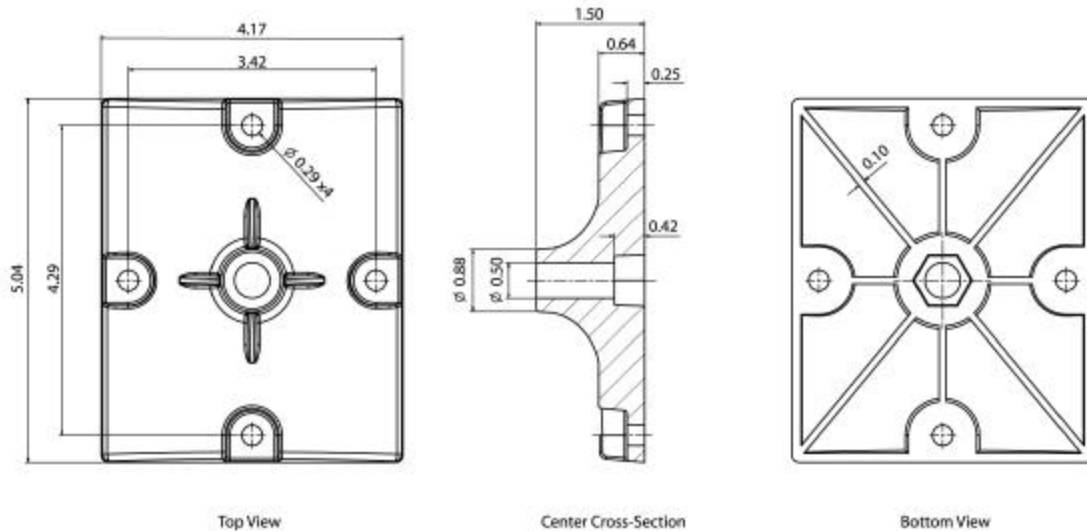
## Control 29AV Ceiling Mount InvisiBall Assembly

The new **MTC-29CM InvisiBall Assembly** is designed for use with the JBL Professional Control 29AV Loudspeaker. The Ceiling Mount allows installation of the enclosure to sturdy ceiling structures by utilizing the internal InvisiBall mechanism.

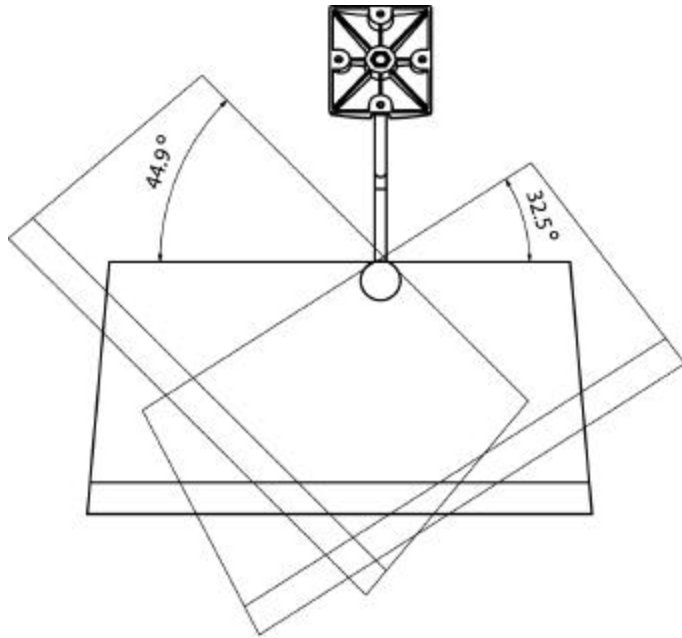
The MTC-29CM is finished in Powder Coating, and can be ordered Black or White. (-WH)



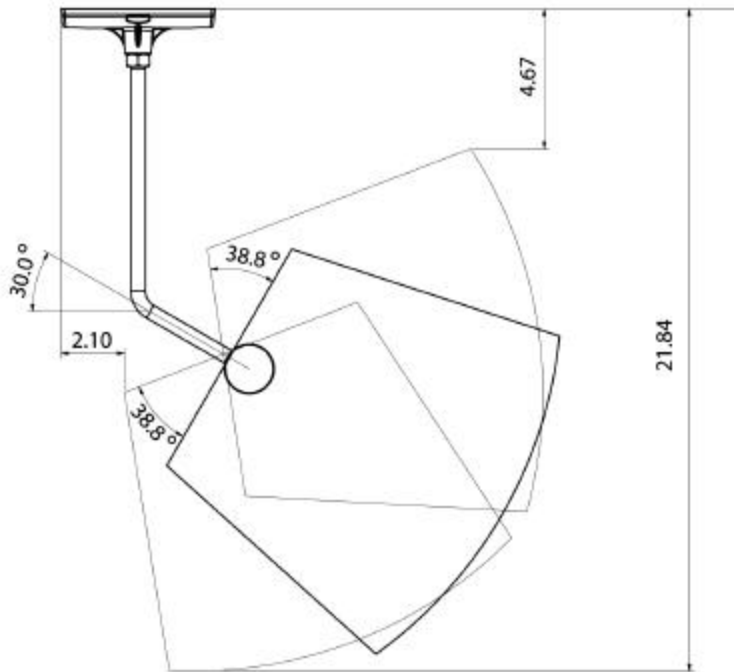
### Mounting Plate



Dimensions in Inches



Horizontal Range of Motion  
 (As viewed from Perpendicular to cabinet)



Vertical Range of Motion

Dimensions in Inches