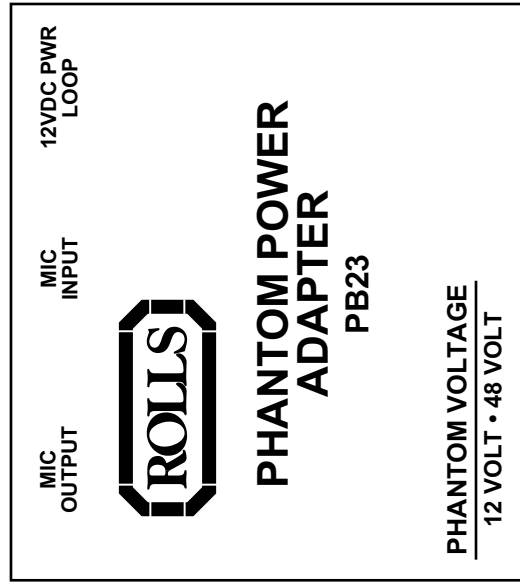


# PB23 PHANTOM POWER ADAPTER



## LIMITED WARRANTY

This product is warranted to the original consumer purchaser to be free from defects in materials and workmanship under normal installation, use and service for a period of one (1) year from the date of purchase as shown on the purchaser's receipt.

The obligation of Rolls Corporation under this warranty shall be limited to repair or replacement (at our option), during the warranty period of any part which proves defective in material or workmanship under normal installation, use and service, provided the product is returned to Rolls Corporation, TRANSPORTATION CHARGES PREPAID. Products returned to us or to an authorized Service Center must be accompanied by a copy of the purchase receipt. In the absence of such purchase receipt, the warranty period shall be one (1) year from the date of manufacture.

This warranty shall be invalid if the product is damaged as a result of defacement, misuse, abuse, neglect, accident, destruction or alteration of the serial number, improper electrical voltages or currents, repair, alteration or maintenance by any person or party other than our own service facility or an authorized Service Center, or any use violative of instructions furnished by us.

This one-year warranty is in lieu of all expressed warranties, obligations or liabilities. ANY IMPLIED WARRANTIES, OBLIGATIONS, OR LIABILITIES, INCLUDING BUT NOT LIMITED TO THE IMPLIED WARRANTIES OF MERCHANTABILITY AND FITNESS FOR A PARTICULAR PURPOSE, SHALL BE LIMITED IN DURATION TO THE ONE YEAR DURATION OF THIS WRITTEN LIMITED WARRANTY. Some states do not allow limitations on how long an implied warranty lasts, so the above limitation may not apply to you.

IN NO EVENT SHALL WE BE LIABLE FOR ANY SPECIAL, INCIDENTAL OR CONSEQUENTIAL DAMAGES FOR BREACH OF THIS OR ANY OTHER WARRANTY, EXPRESSED OR IMPLIED, WHATSOEVER. Some states do not allow the exclusion or limitation of special, incidental or consequential damages so the above limitation or exclusion may not apply to you. This warranty gives you specific legal rights, and you may also have other rights which vary from state to state.

## PB23 Phantom Power Adapter

- Powers a condenser microphone requiring phantom power
- 12 or 48 Volts available
- AC adapter included
- High frequency switching power supply to eliminate noise

The PB23 is for powering a phantom powered microphone with either 12 or 48 VDC. The unit uses a 100kHz switching power supply to eliminate noise generated by common power supplies. The PB23 has pull-down resistors so it will work with any mixer. 2 DC jacks have been included so several units may be operated with one power supply.



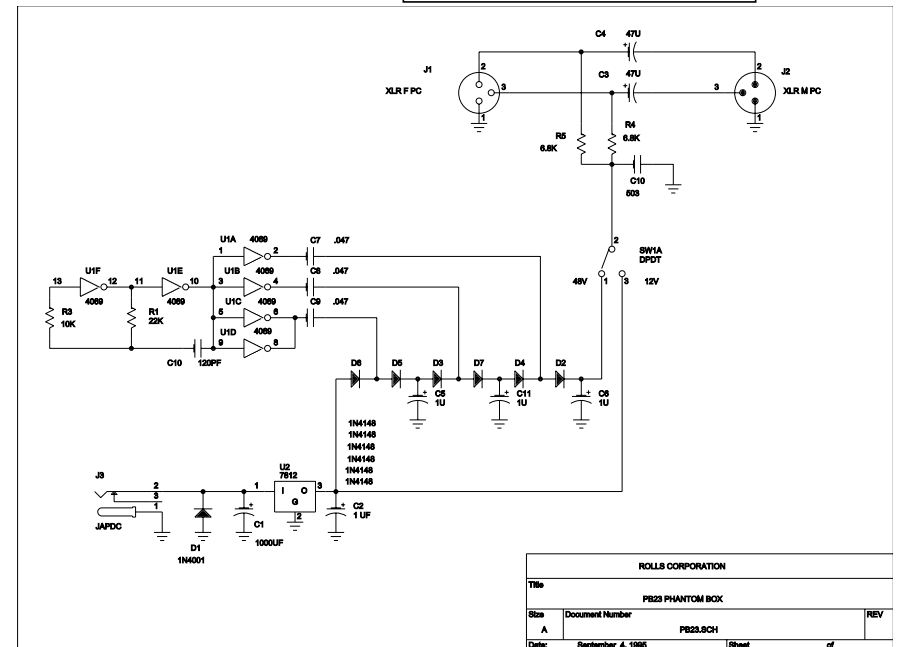
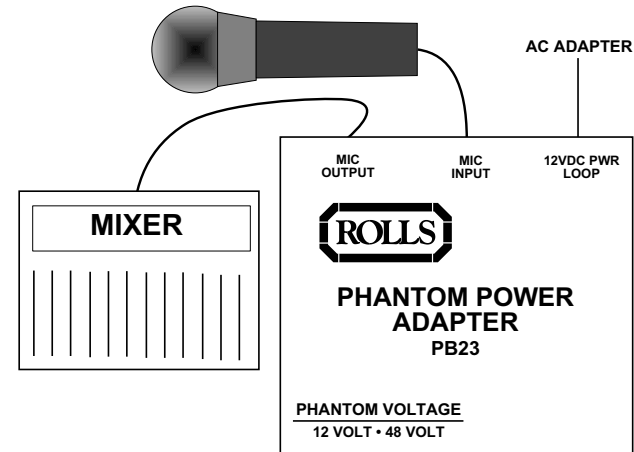
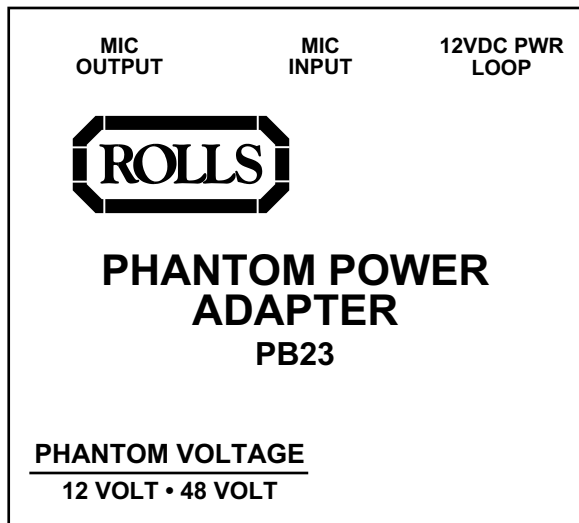
Rolls Corporation  
Salt Lake City, UT  
9/95

## INTRODUCTION

Thank you for purchasing the PB23 Phantom Power Adapter, the unit is designed to provide years of lasting value and usefulness. The unit powers a condenser microphone that is designed for phantom powering. Phantom power microphones provide much greater dynamic range, lower noise and better sound quality. Most microphones will operate at full performance with 12 volts DC, however some mics require 48 volts which was the old tube mic standard. The PB23 features selectable voltage levels.

## OPERATION

Switch the PHANTOM VOLTAGE to the appropriate setting. Connect a condenser microphone to the input connector(s) and connect the output(s) to a mixer or other audio input device. Apply power to the unit by connecting the enclosed adapter to an AC outlet and to the 12VDC Power Loop. The LED on the front of the unit will light. The two DC input jacks are provided in order to use one power supply to power more than one unit. The units provide no audio gain as they are not microphone preamps.



## SPECIFICATIONS

- |                  |   |
|------------------|---|
| Phantom Voltage: | 12V or 48V selectable                               |
| Jacks:           | Male and Female XLR jacks,<br>2: 5mm DC input jacks |
| Control:         | 12/48 volt selector switch                          |
| Power Input      | 14 - 18 VDC (adapter included)                      |
| Size:            | 3" x 2.5" x 1.25"                                   |
| Weight:          | 1 lb (.45 Kg)                                       |