

Description

The **40-117** utility microphone base is designed to accept the popular 800 or 900 series **ASTATIC** mini-gooseneck microphones as well as any other miniature gooseneck microphone with a three pin professional audio connector.

The **40-117** features a specially compounded energy absorbing "shock mount" pad to decouple the base from sources of unwanted mechanical resonance, i.e. podiums, lecterns, tables, etc. This unit features a push button which can be used as a "push-to-talk" or "push-to-mute" depending on the status of the mode switch on the underside of the base. The LED illuminates when the microphone is active. The circuit contains a highly reliable switch to operate a 55dB mute which will effectively kill audio output without causing a potentially damaging phantom power "thump" when used with electret type microphones.

The **40-117** is supplied with a rugged four conductor, two shielded seven foot cable terminated with a professional three pin male XLR type connector for balanced audio. The base is constructed of die cast zinc with a steel base plate.

User Techniques and Applications

The model **40-117** can be used in a wide variety of applications including:

- | | | |
|----------------------|---------------|-------------|
| Council Chambers | Schools | Courtrooms |
| Dispatching Stations | Retail Stores | Warehouses |
| Conference Rooms | Restaurants | Pulpits |
| Lecterns | Paging | and more... |



ASTATIC Quality

All **40-117** microphone bases are tested and inspected prior to shipment. Our absolute commitment to quality insures that **ASTATIC** microphone products remain the **Best Value** in today's competitive industry.

Operation and Maintenance

To clean the base, use a cloth dampened with isopropyl alcohol. The unit should require no other maintenance.

Specifications

Dimensions:

112.2 mm (4.42") wide x 138.8 mm (4.48") long x 42.7 mm (1.68") high

NET Weight:

925 grams (2.04 lbs.)

Switch:

DPDT Push and DPDT Slide

Finish:

Extremely durable, matte-black, urethane paint

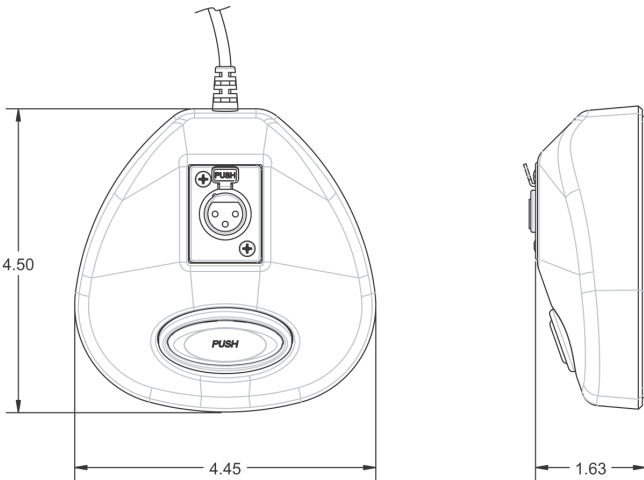
TWO-YEAR LIMITED WARRANTY

Omnitronics, LLC ("ASTATIC") hereby warrants that this product will be free of defects in material and workmanship for a period of two years from the date of purchase. In the unlikely event a defect occurs ASTATIC will, at its option, either repair or replace with a new unit of equal or greater value. You should retain proof of purchase to validate the purchase date and return it with any warranty claim. Return warranty claims carefully packed, insured and prepaid to the Service Department at the address listed below.

This warranty excludes exterior finish or appearance, damage from abuse, misuse of the product, use contrary to ASTATIC's instructions or unauthorized repair. All implied warranties or merchantability or fitness for a particular purpose are hereby disclaimed and ASTATIC hereby disclaims liability for incidental, special or consequential damages resulting from the use or unavailability of this product.

This warranty gives you specific legal rights and you may also have other rights which vary from state to state. Some states do not allow the exclusion or limitation of incidental or consequential damages or limitations on how long an implied warranty lasts, so the above exclusions and limitations may not apply to you.

Note: No other warranty, written or oral is authorized by Omnitronics, LLC.



Architects' and Engineers' Specification

The product will be a low profile microphone base designed to accept phantom powered miniature gooseneck microphones. Attachment of the microphone will be by means of a professional 3 pin female XLR type connector on top of the base. The base will provide a momentary switch that can be configured for either push-to-talk or push-to-mute operation by means of a slide switch on the bottom of the base. The base will contain circuitry that will provide quiet muting (minimum 55dB of mute) of phantom powered microphones. The base shall also feature a light emitting diode, powered by phantom power, that indicates when an attached microphone is active. The base will feature specially compounded energy absorbing "shock mount" pad to decouple the base from sources of unwanted mechanical resonance. The base shall be supplied with a rugged four conductor, two shielded seven foot cable terminated with a professional 3 pin male XLR type connector for balanced audio. The construction of the base shall be of die cast zinc with a steel base plate. The dimensions of the base shall be 112.2mm(4.42") wide x 113.8mm (4.48") long x 42.7mm (1.68") high. The weight of the base shall be 925 grams (2.04 lbs.). The base will be finished with durable matte-black urethane paint.

The **ASTATIC** Model **40-117** is specified.