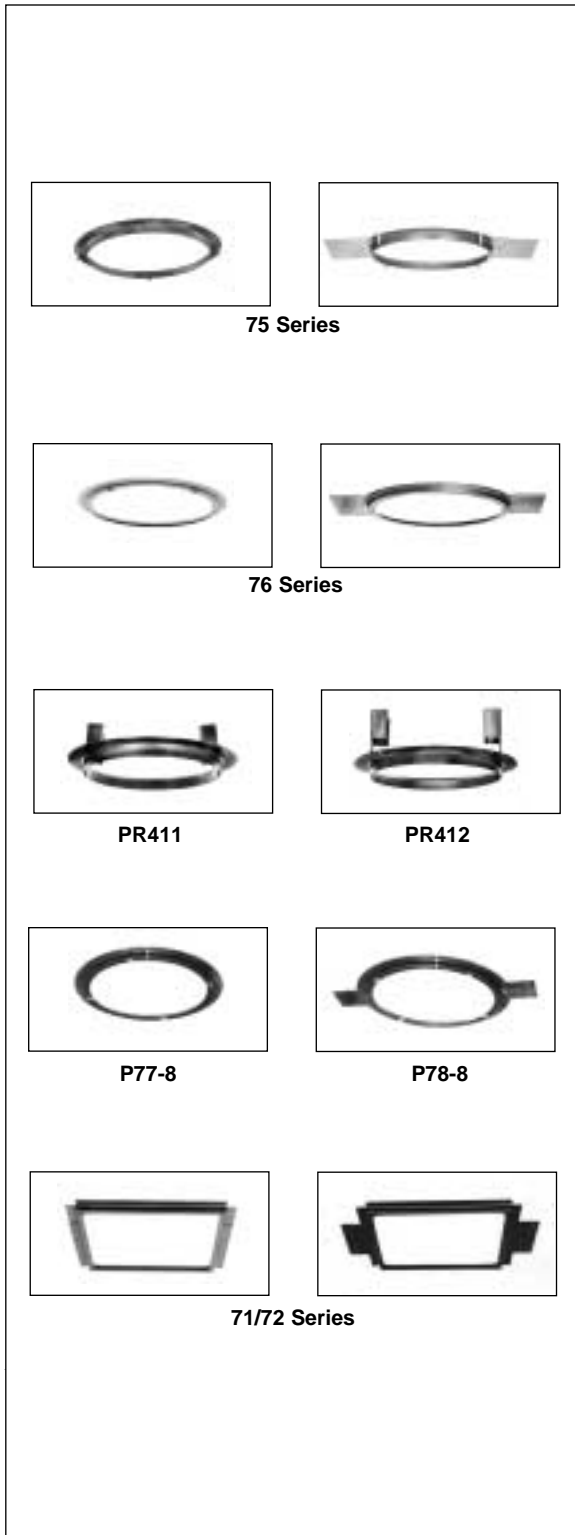




# MOUNTING RINGS AND MOUNTING FRAMES FOR 4" AND 8" LOUDSPEAKERS

Series 71, 72, 75,  
76, P, and PR;  
T175-8



## FEATURES

- Ideal for Installing Screw Mount or Torsion Spring Baffles with Corresponding Loudspeakers when Enclosures Are Not Required
- Suited for a Variety of Ceiling Constructions Including Drywall, Plaster, Conventional, Stud Ceiling, and Retrofit Applications

## APPLICATIONS

Atlas Sound mounting rings and frames (except for P Series plastic models) are recommended for mounting loudspeakers and baffles in a variety of ceiling constructions including drywall, plaster, conventional, and stud ceiling applications when protective enclosures are not required. P Series plastic mounting rings are ideal for retrofit applications when plenum area access is difficult. [Models with (E1) suffix include mounting ears to accommodate 16" (406mm) stud ceiling construction. Models with (E2) suffix include mounting ears for 24" (610mm) stud ceiling applications.]

## STEEL MOUNTING RINGS

**75 Series.** Versatile series is ideal for installing screw mount and torsion spring (T) baffles with 8" (203mm) and 12" (305mm) loudspeakers. Models T75-8(E1) and T75-8(E2) are of 20 ga. CRS, finished in textured black epoxy, and include four staking rivets or two torsion tabs (on T versions).

**76 Series.** Use Models 76-4 and 76-8(E2) for installing screw mount baffles with 4" or 8" loudspeakers, respectively. Units are of 20 ga. CRS construction, finished in textured black epoxy, and include four 8-32 J-Nuts.

**PR Series.** These models mount several Atlas Sound torsion spring grilles with 4" (102mm) loudspeakers. Model PR411 is a versatile mounting ring that installs a variety of torsion spring grilles; PR412 is provided for use with Model T730-4B only. All units are of 20 ga. CRS construction, finished in textured black epoxy, and include two torsion tabs.

## PLASTIC MOUNTING RINGS

**P Series.** Plastic mounting rings are ideal for retrofit applications when plenum area access is difficult. Model P77-8 may be conveniently installed from ground level by cutting a 12" (305mm) dia. hole in the ceiling, snapping ring at break-slot, and maneuvering it up through hole to rest above ceiling. Model P78-8 includes mounting ears for conventional installation in 16" (406mm) stud ceilings. Made of polystyrene plastic and includes four J-Nuts.

## MOUNTING FRAMES

**71/72 Series.** Versatile series is ideal for installing screw mount and torsion spring (T) baffles with 8" (203mm) loudspeakers. All models are 20 ga. CRS construction and include four 8-32 weld nuts or two torsion tabs (on T versions). Finished in textured black epoxy.

THREE

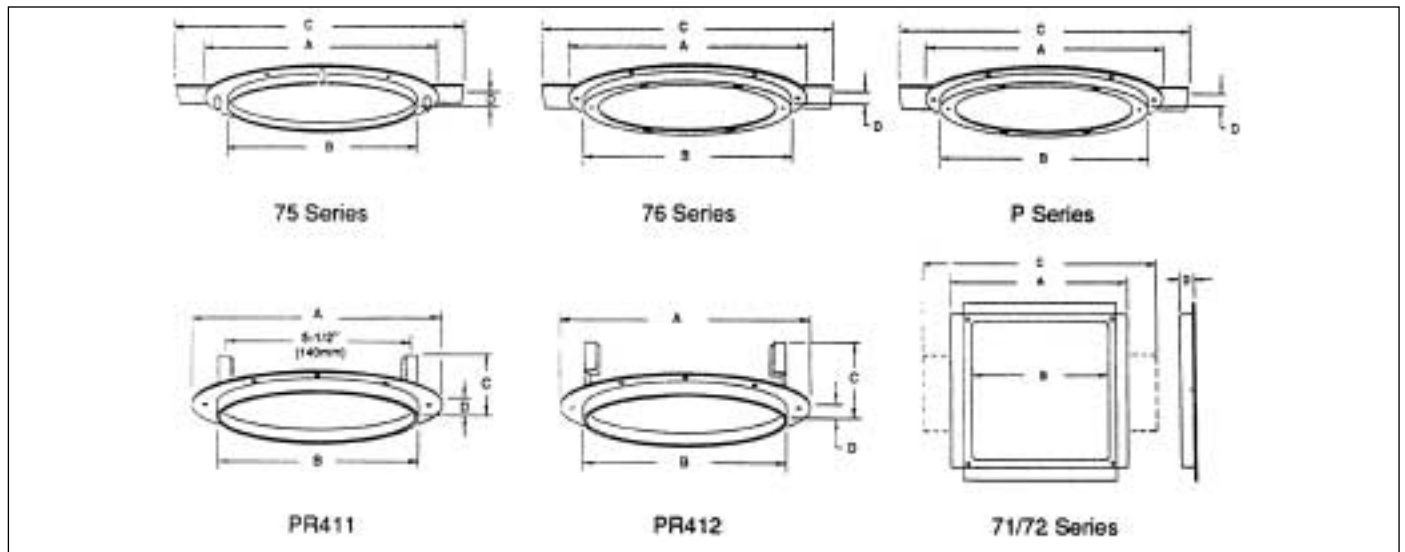
Specifications subject to change without notice



1601 JACK MCKAY BLVD. / ENNIS, TEXAS 75119 U.S.A. / TELEPHONE: (800) 876-3333 / FAX (800) 765-3435

MOUNTING RINGS					
MODEL	DIMENSIONS				MOUNTS BAFFLE
	A	B	C	D	
75-8	11 $\frac{3}{4}$ " (298mm)	9 $\frac{7}{8}$ " (251mm)	—	$\frac{5}{8}$ " (16mm)	51-8, 60-8(W), 61-8W 62-8, 63-8, 170-8, VP-60R, M222(W), P900
75-8E1			17" (432mm)		
75-8E2			23 $\frac{1}{2}$ " (597mm)		
76-4	7 $\frac{7}{8}$ " (181mm)	6 $\frac{1}{4}$ " (159mm)	—	$\frac{7}{16}$ " (11mm)	51-4, 60-4
76-8	13 $\frac{1}{2}$ " (343mm)	11 $\frac{1}{8}$ " (302mm)	—	$\frac{7}{16}$ " (11mm)	51-8, 60-8(W), 61-8W, 62-8(W), 63-8, 170-8, VP-60R, M222(W), P900
76-8E2			23 $\frac{1}{2}$ " (597mm)		
P77-8			—		
P78-8	13 $\frac{3}{8}$ " (346mm)	11 $\frac{15}{16}$ " (303mm)	—	$\frac{3}{8}$ " (10mm)	51-8, 60-8(W), 61-8W, 62-8, 63-8, 170-8, M222(W), P900
PR411	7 $\frac{7}{8}$ " (200mm)	6 $\frac{3}{8}$ " (162mm)	2 $\frac{1}{4}$ " (57mm)	$\frac{1}{2}$ " (13mm)	T51-4, T60-4, T710-4, T720-4(BT) T730-4B(4G)
PR412			3 $\frac{3}{4}$ " (83mm)		
T75-8			—		
T75-8E1	11 $\frac{3}{4}$ " (298mm)	9 $\frac{7}{8}$ " (251mm)	17" (432mm)	$\frac{5}{8}$ " (16mm)	T51-8, T60-8(W), T61-8W, T62-8, T610-8(W), T710-8, T720-8A, TM222W
T75-8E2			23 $\frac{1}{2}$ " (597mm)		

MOUNTING FRAMES					
MODEL	DIMENSIONS				MOUNTS BAFFLE
	A	B	C	D	
71-8E2	13 $\frac{1}{2}$ " SQ. (343mm)	11 $\frac{3}{4}$ " SQ. (298mm)	23 $\frac{1}{2}$ " (597mm)	$\frac{1}{2}$ " (13mm)	164-8A
72-8E1	12 $\frac{3}{4}$ " SQ. (311mm)	10 $\frac{1}{16}$ " SQ. (271mm)	17" (432mm)		161-8, P912, 161-8SWA
T72-8E1	12 $\frac{3}{4}$ " SQ. (311mm)	10 $\frac{1}{16}$ " SQ. (271mm)	17" (432mm)		T161-8, T620-8
T72-8E2			23 $\frac{1}{2}$ " (597mm)		



Specifications subject to change without notice



1601 JACK MCKAY BLVD. / ENNIS, TEXAS 75119 U.S.A. / TELEPHONE: (800) 876-3333 / FAX (800) 765-3435