

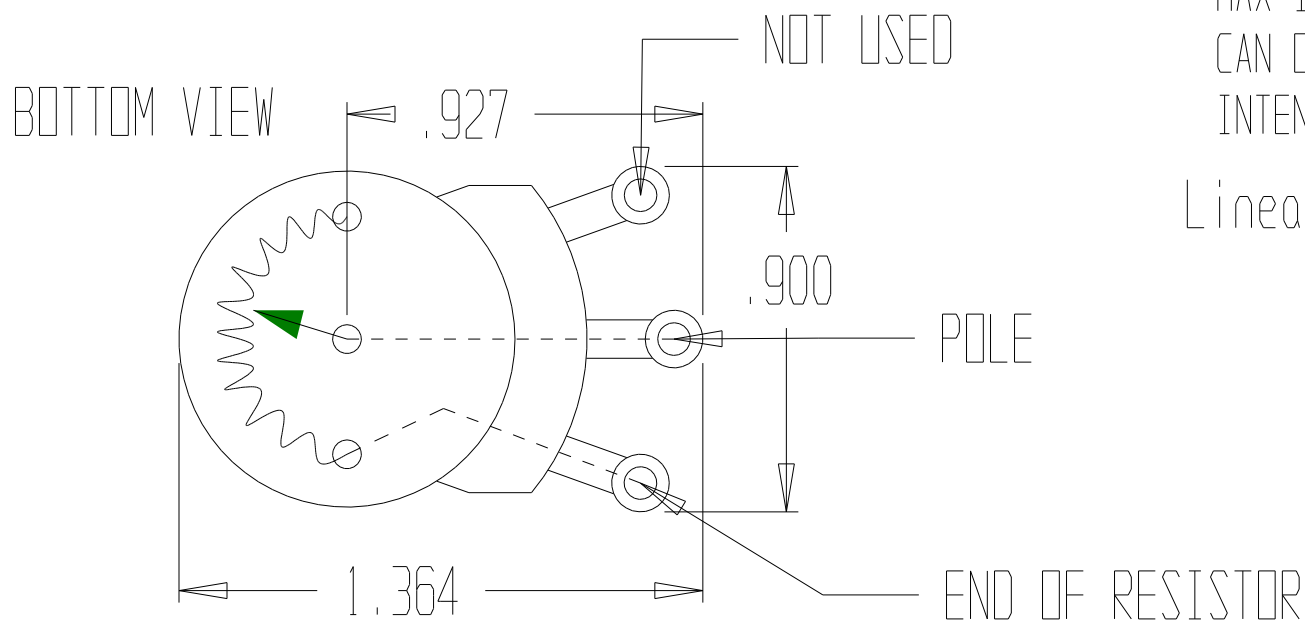
SLOTTED KNURLED SHAFT
ALUMINUM OR BRASS

THREADED
BUSHING
3/8-32

ELECTRICAL SPECIFICATIONS

MAX WATTS = 10 WATTS
 MAX VOLTS = 500VDC
 MAX INTERNAL RESISTANCE = 50 OHMS
 CAN OPERATE 2 HIGH OR 4 LOW
 INTENSITY LITTLITES.

Linear Resistance (no taper)



DM POT DETAIL
 SPECIFICATIONS
 FILE # 24-2005
 2/24/98 JH