

# PortaCom Intercom

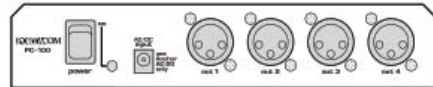
2 Channel Wired Full Duplex Intercom Specifications

## Advancing Technology

A flexible, high-performance wired intercom system, the PortaCom is built smart and simple. It gives you two channels without sacrificing power or quality, is expandable and portable or rack mountable. It even has an optional battery supply module for remote locations. PortaCom is priced for the junior high school theater, local cable studio or high school football coach.

### PC-100 - Two-Channel Power Console

Power console with four outputs; rack-mountable. Includes wallmount AC adapter.



### BP-200 - Belt Pack

Lightweight aluminum belt pack with volume control, A/B channel switch and mic and call button with LED indicator.



### B3-100 - Branch Box

3-Station branch box for expanding PortaCom systems.



PORTACOM SYSTEM COMPONENTS



**H-200**  
Dual-earpiece headset

**H-200S**  
Single-earpiece headset

## PORTACOM MODELS

### COM-40FC Four User Package:

4 ea headsets & belt packs, 1 ea power console & deluxe carrying case (no cables)

### COM-60FC Six User Package:

6 ea headsets & belt packs, 1 ea power console, branch box & deluxe carrying case (no cables)

### COM-40FC/C Four User Package:

4 ea headsets, belt packs & 50' cables, 1 ea power console, deluxe carrying case & cable bag

### COM-60FC/C Six User Package:

6 ea headsets & belt packs, 7 50' cables, 1 ea power console, branch box, deluxe carrying case & cable bag

## 2-YEAR WARRANTY!

2 CHANNEL - WIRED FULL DUPLEX SYSTEM

HIGH PERFORMANCE / LOW COST

AC/DC OPERABLE

PORTABLE OR RACKMOUNTABLE  
(1 U RACK SPACE)

DURABLE LIGHTWEIGHT METAL PACKS

UP TO 20 HEADSET CAPACITY

STANDARD 3 PIN XLR MICROPHONE CABLES

EASY TO SETUP AND OPERATE

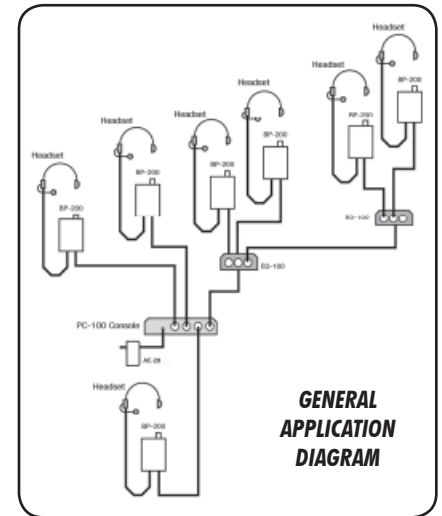
COMFORTABLE & LIGHTWEIGHT NOISE  
CANCELLING HEADSETS

OPTIONAL SINGLE, DUAL OR MIXED HEADSETS

## MADE IN THE USA!

## PORTACOM ACCESSORIES

- |                            |                             |
|----------------------------|-----------------------------|
| <b>PGM-100</b> Mixer       | <b>AC-20</b> Power module   |
| <b>HC-PC</b> Carrying case | <b>EX-25M</b> XLR cable/25' |
| <b>RM-100</b> PC-100 rack  | <b>EX-50M</b> Extension/50' |
| <b>CC-PC</b> Cable bag     | <b>EX-75M</b> XLR cable/75' |



GENERAL APPLICATION DIAGRAM

## PORTACOM INTERCOM TECHNICAL SPECIFICATIONS

Operating Distance Up to 2,500 ft (total cable length)  
 Normal Line Level -15dBV  
 Signal-to-Noise Ratio -65dB  
 Distortion < 0.5%  
 Connecting Cables Standard 1-pair shielded mic cable w/ 3-pin XLR (heavy-duty cable recommended for runs over 250 ft)  
 Compatibility Generally compatible w/ industry standard system (call for info)

**B3-100 - Branch Box**  
 Connectors (3-pin XLR) Input - 1 female / Output - 3 male  
 Dimensions 1.9 x 4.1 x 4.25" / 48 x 105 x 108 mm  
 Weight 19.2 oz / 0.5 kg

**BP-200 - Belt pack**  
 Input Line Connector 3-pin XLR - female  
 Headset Connector 4-pin XLR - male  
 Bridging Impedance 10k ohm min  
 DC Current Reqs. 20mA max  
 Dimensions 3.6 x 2.6 x 2.1" / 91 x 66 x 53 mm  
 Weight 7.36 oz / 0.2 kg  
**H-200/H-200S - Dual-Earpiece/Single-Earpiece Headset**  
 Connector 4-pin XLR - female  
 Microphone Type Dynamic, low impedance  
 Dimensions 3.5 x 7.4 x 7.9" / 8.9 x 18.8 x 20 cm  
 Weight H-200 16 oz / .45 kg  
 H-200S 13 oz / .37 kg

**PC-100 - Two-Channel Power Console**  
 Output Connectors 3-pin XLR - 4 male  
 Voltage Output 22 volts DC to belt packs  
 Max. Current Capacity 400mA  
 Max. Belt Packs 20 BP-200 belt packs  
 Input Power Reqs. 24VAC, 50/60Hz, 750mA;  
 30 - 40VDC, 500mA  
 Dimensions 1.75 x 8.5 x 4.5" / 45 x 216 x 114 mm  
 Weight 57.6 oz / 1.63 kg  
 AC Power Adapter Anchor model AC-20  
 Input Voltage 120VAC, 60Hz  
 Output Voltage/Current 24VAC @ 750mA

(FEATURES & SPECIFICATIONS SUBJECT TO CHANGE WITHOUT NOTICE)



**Anchor Audio, Inc.**

Portable Sound Systems • Torrance, California

**888/444-6077**

www.anchoraudio.com