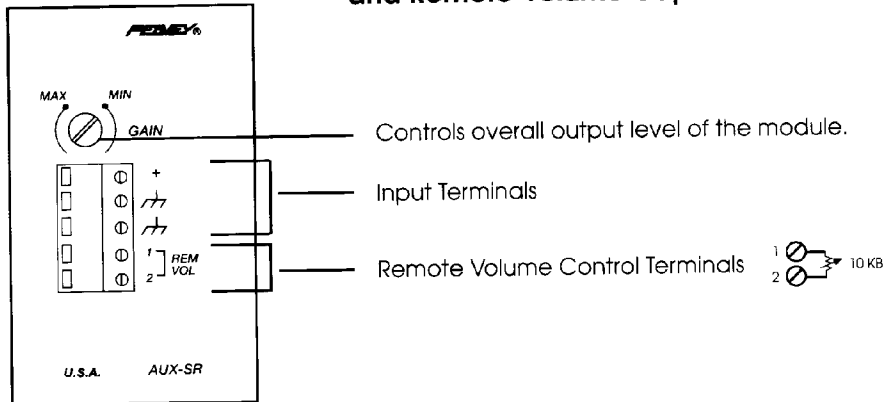




MA™ SERIES MODULE AUX™ -SR

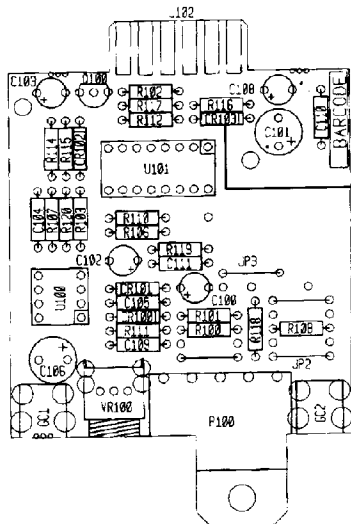
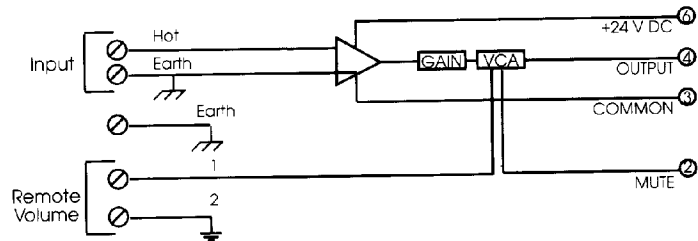
Auxiliary Preamp Module with Screw Terminals, Muting, and Remote Volume Capabilities



INSTALLATION:

The module installs at the rear panel of product accepting the standard 6-pin card-edge connection. Align card-edge connector with top and bottom circuit board guides. Snap module into card-edge socket, push flush with rear panel, and install (furnished) mounting screws.

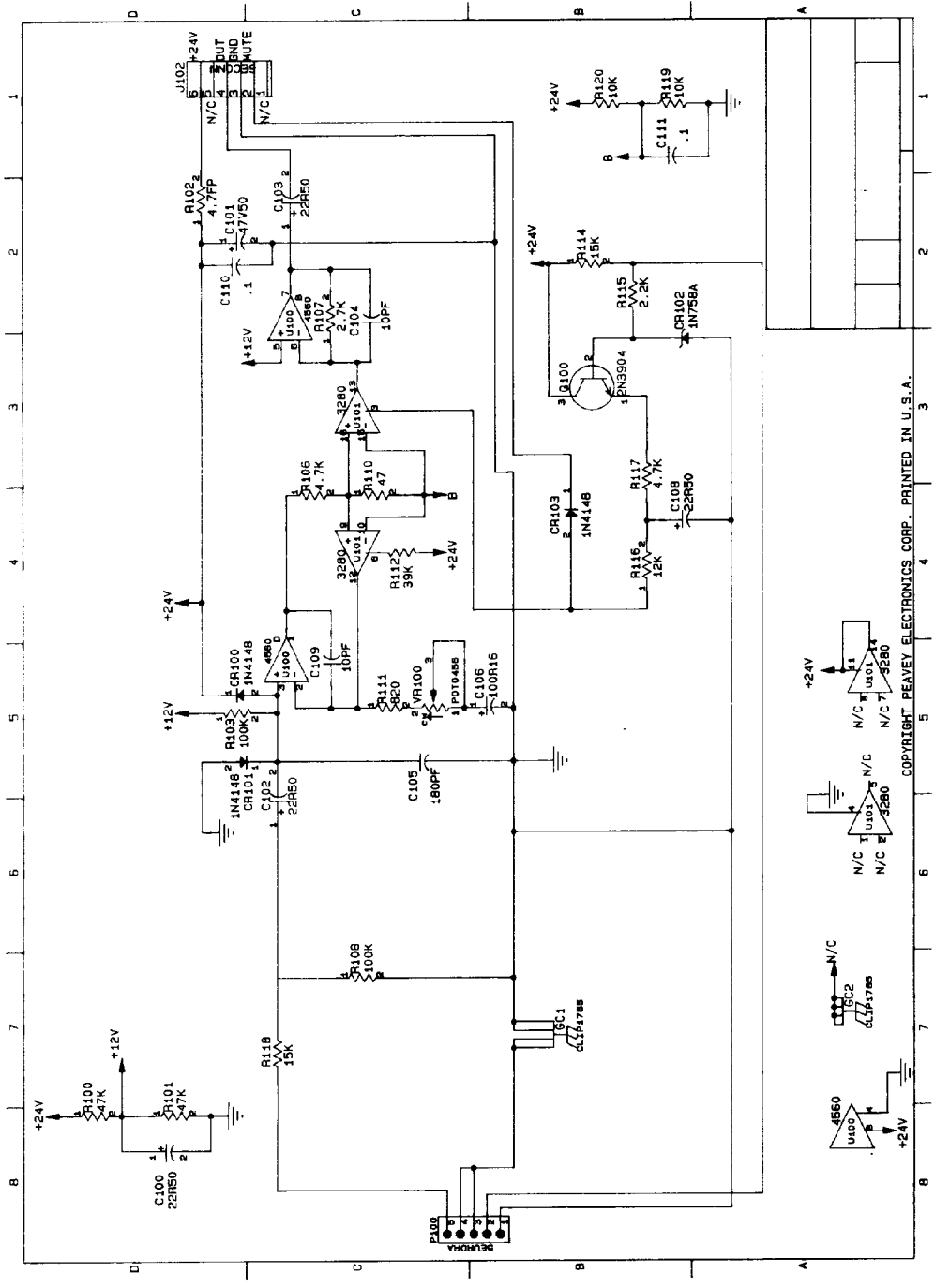
BLOCK DIAGRAM



To defeat muting capabilities, clip this diode.

SPECIFICATIONS:

| | |
|-----------------------------|-----------------------------|
| Gain: | 0 dB to -31 dB |
| Input Sensitivity: | 100 mV - 3.5 mV |
| Frequency Response: | 20 Hz to 20 kHz \pm 5 dB |
| S/N Ratio: | 80 dB |
| Remote Volume Range: | 0 to -60 dB |
| Muting Level: | 60 dB |
| Power: | +24 V DC |
| Control: | Gain |
| Mounting: | Edge Card Connector |
| Weight: | 2.7 oz. |
| Dimensions: | 3.07" H x 1.38" W x 3.46" D |
| Load Impedance: | 10 Kilohms |



COPYRIGHT PEAVEY ELECTRONICS CORP. PRINTED IN U.S.A.



Features and specifications subject to change without notice.

A Division of Peavey Electronics Corporation

711 A Street / Meridian, MS 39301 / U.S.A. / (601) 483-5376 / Telex 504115 / Fax 486-1278

#80302207

©1994

Printed in U.S.A. 11/94