



Q SERIES DELUXE ACOUSTIC RECESSED ENCLOSURES FOR 8" LOUDSPEAKERS

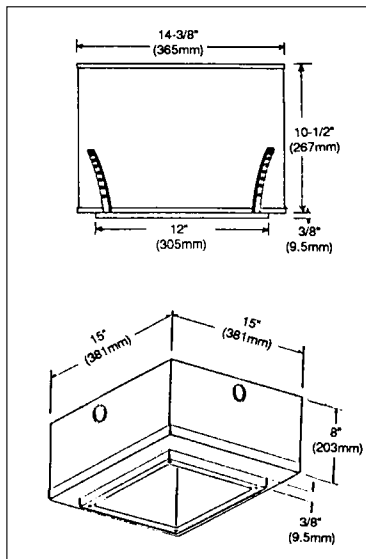
**Q408
QS408**



Q408



QS408



APPLICATIONS

The Atlas Sound Q Series enclosures are designed to enhance the audio quality of music and voice reproduction in professional quality 8" distributed sound systems. These 1 cu. ft. enclosures are recommended for use in retail outlets, hotels, lounges, convention centers, meeting rooms, recreation and performing art centers, and for application where quality sound reinforcement is desirable.

GENERAL DESCRIPTION

Model Q408 and QS408 are welded steel protective enclosures having a volume of 1 cu. ft. (.028m³). The interior is undercoated to eliminate metallic resonance and is furnished with 1½" (38mm) thick fiberglass with a 1½ lb./cu. ft. density. The large volume of these enclosures improves the low frequency response of the system while the fiberglass controls undesirable resonances in the high end of the frequency spectrum.

Model Q408 is a cylindrical enclosure and model QS408 is square. Both models incorporate a plaster flange and have provisions for mounting a variety of architecturally pleasing Atlas Sound grilles. Enclosures are designed for use with standard 8" (203mm) loudspeakers. Finish is textured black epoxy.

ARCHITECTS AND ENGINEERS' SPECIFICATIONS

The metal enclosure shall be Atlas Sound Model Q408, QS408 or approved equal. Enclosure shall be of welded construction and shall be of welded construction and shall have a volume of 1 cu. ft. (.208m³). Interior of enclosure shall be undercoated and lined with 1½" (38mm) thick fiberglass with a 1½lb/cu. ft. density.

Enclosure shall have four combination ½" - ¾" - 1" (13 - 19 - 25) knockouts and shall incorporate a plaster flange for mounting Atlas SOUNd Loudspeaker baffle model _____ or approved equal. Enclosure shall be textured black epoxy.

MODEL	CUBIC SIZE	SPEAKER SIZE	MOUNTS BAFFLE MODEL	ENCLOSURE WT. LESS SPR.
Q408	1 cu. ft. (.028M ³)	8" (203mm)	G22-8, 51-8, 60-8(W), VP60-R, 61-8W, 62-8, 63-8, 67-8(W), 68-8W, 170-8, EQ61, EQ164, M222(W), P900	7lbs. (3kg.)
QS408			164-8	

Specifications subject to change without notice



1601 JACK MCKAY BLVD. / ENNIS, TEXAS 75119 U.S.A. / TELEPHONE: (800) 876-3333 / FAX (800) 765-3435