



Commercial Audio Products

# WM 1000

Dynamic Wall Mount  
Microphone

## Description

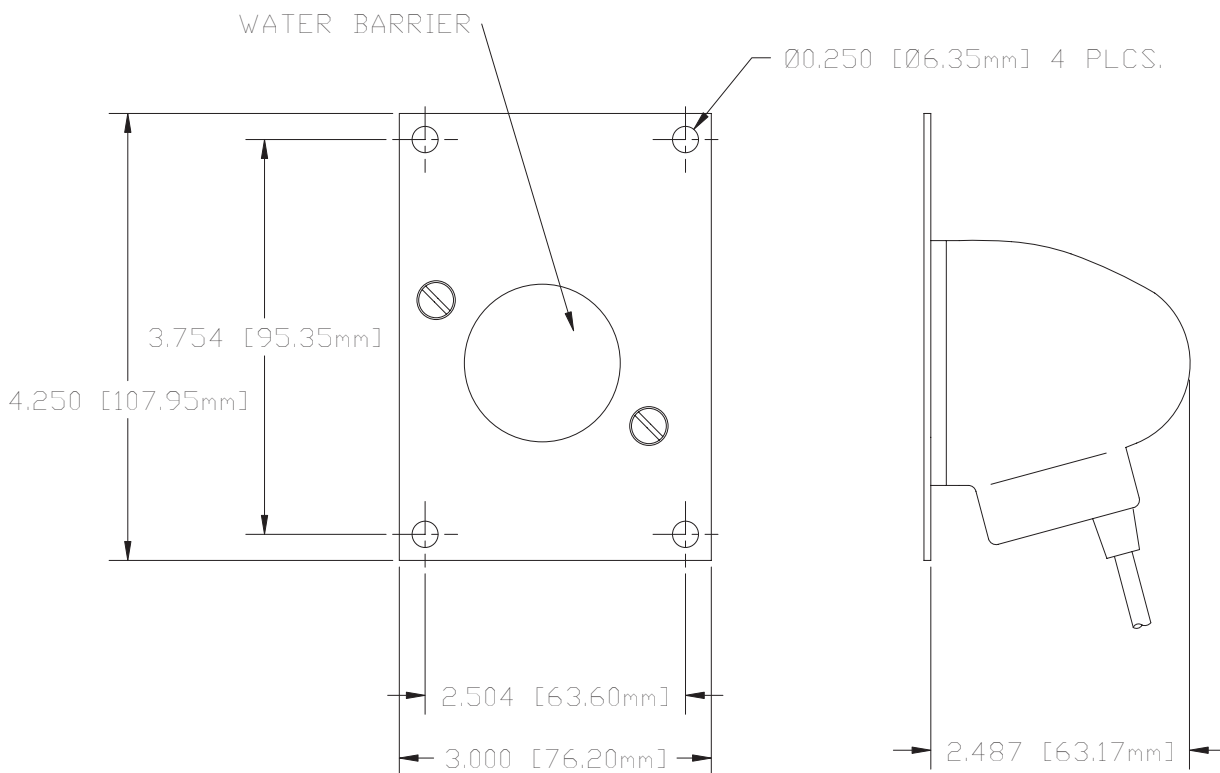
The Astatic model WM 1000 is a dynamic plate mounted microphone. It is designed for applications such as menu boards, drive thru windows, or any application that requires a rugged weather resistant wall mounted microphone. This is the same microphone that Astatic has supplied the banking industry for many years for drive-up teller windows. The microphone features a die cast zinc body, steel mounting plate and a Mylar moisture barrier. The WM 1000 resists extremes in temperature and humidity found in outdoor environments. The Frequency response of the WM 1000 is specially tailored to increase intelligibility from distant sources.

The WM 1000 is designed to be mounted behind an external grille. (Not supplied.) The WM 1000 should not be mounted in areas that will have direct exposure to the elements. (i.e. rain, snow or direct sunlight.) Electrical connection to the WM 1000 is made by means of a standard

1/4" ring-tip-sleeve (stereo) phone plug.

The connections are as follows:

- Tip - Microphone hot lead
- Ring - Microphone ground
- Sleeve - No connection



**Specifications**

**Generating Element:**

Dynamic

**Frequency Response:**

Tailored 200Hz - 4KHZ

**Polar Pattern:**

Omnidirectional

**Impedance:**

2500 Ohms

**Output Level:**

**Power Level:**

-48 dB (0 dB = 1 mW per 10 microbars)

**Open Circuit Voltage:**

-58 dB (0 dB = 1 volt per microbar)

12.6 mV/Pascal

**Phasing:**

Positive Pressure on Diaphragm generates a positive voltage on connector tip relative to connector ring

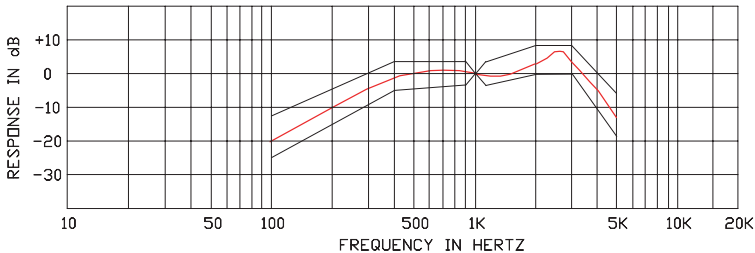
**Finish:**

Black urethane paint

**NET Weight:**

300 Grams (10.6 oz.)

SENSITIVITY: -58dB ± 3dB (0dB = 1 VOLT/MICROBAR)



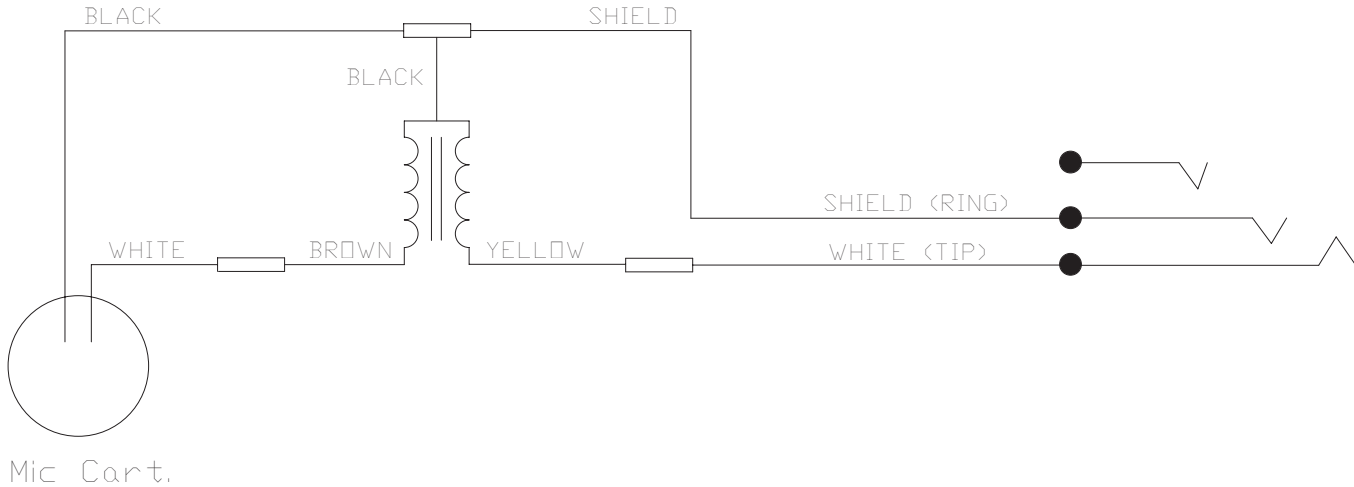
**Architects' and Engineers' Specifications**

The microphone model shall be an Astatic WM 1000.

The microphone shall be a plate mounted dynamic type with a Mylar moisture barrier. The frequency response will be 200 - 4 kHz, tailored for voice response. The microphone shall have an omnidirectional polar pattern.

The output level of the WM 1000 shall be -48dB (0dB = 1mW/ 10 microbars); -58dB (0dB = 1volt/microbar); 12.6 mV/PA. The microphone will have a female 1/4" tip-ring-sleeve phone connector.

The dimensions of the microphone shall be 4 1/4" (108mm) x 3"(76.2mm) for the mounting plate, 2 1/2" (63.5mm) overall depth. The microphone weight shall be 300 grams (10.6 oz.).



**TWO-YEAR LIMITED WARRANTY**

Omnitronics LLC. ("ASTATIC") hereby warrants that this product will be free of defects in material and workmanship for a period of two years from the date of purchase. In the unlikely event a defect occurs ASTATIC will, at its option, either repair or replace with a new unit of equal or greater value. You should retain proof of purchase to validate the purchase date and return it with any warranty claim. Return warranty claims carefully packed, insured and prepaid to the Service Department at the address listed below.

This warranty excludes exterior finish or appearance, damage from abuse, misuse of the product, use contrary to ASTATIC's instructions or unauthorized repair. All implied warranties or merchantability or fitness for a particular purpose are hereby disclaimed and ASTATIC hereby disclaims liability for incidental, special or consequential damages resulting from the use or unavailability of this product.

This warranty gives you specific legal rights and you may also have other rights which vary from state to state. Some states do not allow the exclusion or limitation of incidental or consequential damages or limitations on how long an implied warranty lasts, so the above exclusions and limitations may not apply to you.

Note: No other warranty, written or oral is authorized by Omnitronics LLC.

