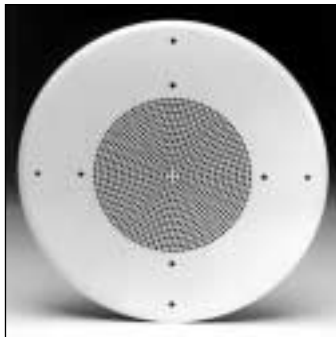


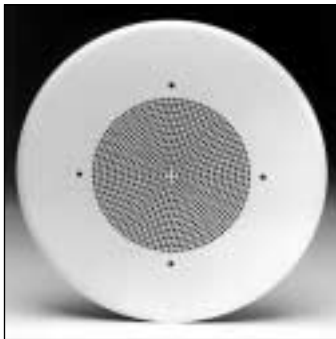


ROUND RECESSED BAFFLES FOR MOUNTING 4" AND 8" LOUDSPEAKERS

(T)51 Series



51-8



T51-8



51-4



T51-4



T51-84

FEATURES

- Economical Industry-Standard Design
- Sturdy One-Piece CRS Construction Eliminates Vibration and Rattle
- Torsion Spring Versions Provide Quick and Efficient Installation
- Popular Design Mounts to a Wide Selection of Enclosures or Mounting Rings

APPLICATIONS

Atlas Sound 51 Series flush-mounting baffles are designed for general purpose, recessed loudspeaker installations. Economical, series is offered in 4" and 8" sizes for standard or torsion spring installation wherever a recessed loudspeaker is specified including office buildings, retail spaces, and commercial real estate of all kinds.

GENERAL DESCRIPTION

51 Series. These industry favorites are aesthetically pleasing and economical steel baffles available in standard screw-mount or labor-saving torsion spring (T) versions. Torsion spring versions provide fast "spring-into-position" mounting to specified enclosures and reduce or eliminate visible hardware. All models are of one-piece 24-gauge CRS construction and finished in textured white epoxy.

51-8 / T51-8. Utility baffles provide for professional and cost-efficient installation of 8" (203mm) loudspeakers. Loudspeaker mounts to the baffle using standard hardware. The baffle speaker assembly screw mounts (51-8) or torsion mounts (T51-8) to specified enclosures.

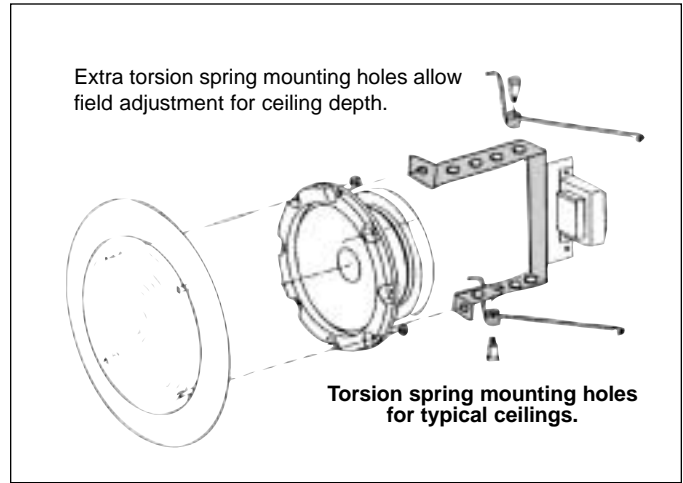
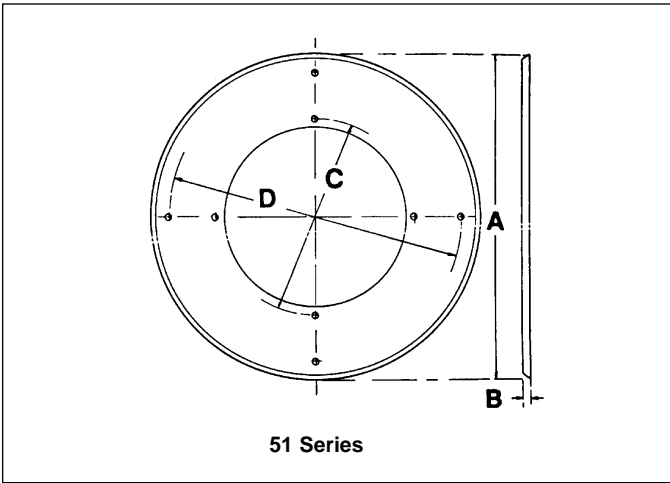
51-4 / T51-4 / T51-84. Versatile baffle series provides installation flexibility for 4" loudspeakers. All models include loudspeaker mounting studs for efficient on-site assembly. Model 51-4 mounts using standard hardware to specified enclosures. Models T51-4 and T51-84 mount specified enclosures using torsion spring assemblies for a completely hardware-free appearance. Torsion assemblies are adjustable to accommodate ceiling thickness up to 2".

Note: For proper support, torsion spring grilles should not be used with loudspeaker assemblies exceeding 5 lbs.

Specifications subject to change without notice



1601 JACK MCKAY BLVD. / ENNIS, TEXAS 75119 U.S.A. / TELEPHONE: (800) 876-3333 / FAX (800) 765-3435



GRILLES MOUNTING 4" (102mm) LOUDSPEAKERS								
MODEL	DIMENSIONS				MOUNTS		OPTIONAL TILE BRIDGE	WEIGHT
	DIAMETER (A)	PROJECTS (B)	(C)*	(D)**	ENCLOSURE (OR MTG. RING)			
T51-4	7 7/8" (187mm)	1/4" (6mm)	4 11/16" (119mm)	5 5/8" (143mm)	(EZ)96-4 Series, (EZ)96-4X Series	76-4	81-4	.3 lb. (.15 kg)
T51-4*					E410(-11), E410-NK, EZE410	PR411	—	.3 lb. (.15 kg)
T51-84*	8 1/2" (216mm)	3/16" (5mm)			BMT95-4(-7)	—	—	.4 lb. (.2 kg)

GRILLES MOUNTING 8" (203mm) LOUDSPEAKERS								
MODEL	DIMENSIONS				MOUNTS		OPTIONAL TILE BRIDGE	WEIGHT
	DIAMETER (A)	PROJECTS (B)	(C)**	(D) ***	ENCLOSURE (OR) MTG. RING			
51-8	12 3/4" (324mm)	1/4" (6mm)	7 7/8" (194mm)	11 1/4" (286mm)	(EZ)95-8 Series, EZ96-8, T95-8 Series, 199-8, Q408, CS95-8(NS)	75-8(E1)(E2), 76-8(E1)(E2), P77-8, P78-8	81-8R(S)	1.1 lb. (.5 kg)
					96-8 Series*	—		
T51-8				—	T95-8 Series, BMT95-8(-7), EZ95-8	T75-8(E1)(E2)	81-8S 81-8S****	1.2 lb. (.55 kg)

- * Model includes provisions to accommodate ceiling thickness up to 2" thick.
- ** (C) Loudspeaker mounting hole or stud pattern.
- *** (D) Baffle mounting hole pattern.
- **** When a torsion spring grille, tile bridge, and enclosure are specified, the grille will mount to the tile bridge only and not to the enclosure's torsion tabs. The enclosure will need to be secured to the tile bridge via four 8-32 screws (not included). [In some cases, the enclosure may need to be rotated to avoid the torsion tabs and insure a proper fit.] See SL3-1431 for additional information.
- ▲ EQ81 tile bridge works only with 96-8 Series enclosures.

ARCHITECT AND ENGINEER SPECIFICATIONS

Screw Mount Grilles. Round recessed baffle shall be Atlas Sound Model ____ [51-4 for 4" loudspeakers; 51-8 for 8" loudspeakers]. It shall be constructed of one-piece 24-gauge CRS. Hardware for mounting Atlas Sound loudspeaker Model ____ shall be furnished. Baffle shall be used in conjunction with Atlas Sound enclosure Model ____ or mounting ring Model _____. For applications that require a tile bridge, Atlas Sound Model ____ shall be used. Baffle dimensions shall be _____. Finish shall be textured white epoxy.

Model ____ [T51-4, for 4" loudspeakers; T51-8 for 8" loudspeakers]. It shall be of one-piece 24-gauge CRS and utilize a torsion spring device to attach to either Atlas Sound enclosure Model ____ or mounting ring Model _____. For applications that require a tile bridge, Atlas Sound Model ____ shall be used. Baffle shall have dimensions of _____ and have welded studs on rear for mounting Atlas Sound loudspeaker Model _____. Finish shall be textured white epoxy.

Torsion Spring Grilles. Round recessed baffle shall be Atlas Sound

Specifications subject to change without notice



1601 JACK MCKAY BLVD. / ENNIS, TEXAS 75119 U.S.A. / TELEPHONE: (800) 876-3333 / FAX (800) 765-3435