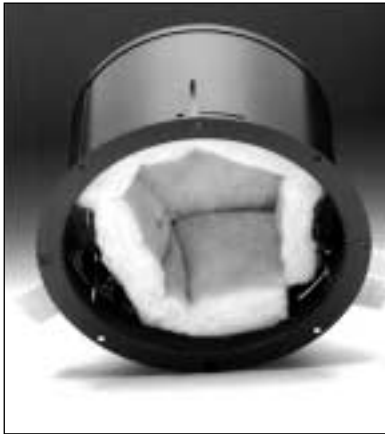




BLIND-MOUNT CEILING SYSTEM FOR 8" AND 4" LOUDSPEAKERS

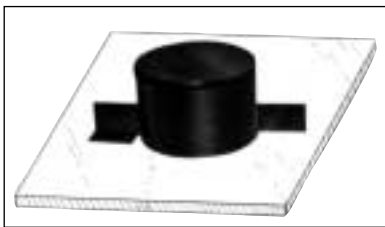
BMT95-8 SERIES
BMT95-4 SERIES



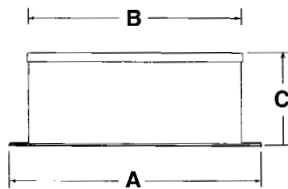
BMT95-8-7



BMT95-4-7



BMT95-4 Series (installed)



FEATURES

- Support System Enables Enclosure Installation in Retrofit Ceiling Applications
- Mounting Ears Adjust Vertically to Accommodate Varying Ceiling Thicknesses
- Quick Mounting of Torsion-Spring and Surface-Mounting Loudspeaker Grilles
- Standard and Extra-Depth Enclosure Models are Available for Installing 8" or 4" Loudspeakers
- Extra-Depth Models Offer Increased Volume and Extended Bass Response

APPLICATIONS

Employ Atlas Sound patented Blind-Mount enclosures for retrofit ceiling installations in drywall or areas with hard-to-access plenums. The unique adjustable support system of the BMT Series assures cost-effective and time-saving installation of 8" or 4" loudspeakers and their corresponding grilles in these special applications.

GENERAL DESCRIPTION

Atlas Sound Blind-Mount enclosure systems (U.S. Patent # 4,673,149) provide an easy and cost-effective alternative for secure loudspeaker installation in retrofit ceiling applications. All necessary hardware is provided including a unique support system (see installed photo) with mounting ears that telescope out from inside the enclosure and adjust vertically to accommodate ceilings with a thickness of ½" (13mm) to 1 ½" (35mm).

All models are CRS construction and include torsion-spring receptacles for quick mounting of torsion-spring grilles. (J-Nuts are included on the return of the enclosure to accommodate surface-mounting grilles.) To allow cable access, enclosure backplates are manufactured with three ½" (13mm) conduit knockouts. These enclosures are also equipped with sound damping material to minimize metallic resonance; extra-depth models are fitted with high-density fiberglass fill. All units are finished in a textured black epoxy.

BMT95-8 Series Models are supported by three mounting ears and will accept a wide variety of Atlas Sound torsion-spring and surface-mounting grilles for 8" (203mm) loudspeakers (see chart below). Model BMT95-8 has a depth of 4 ¼" (108mm); BMT95-8-7 is a 7" (178mm) deep version which includes high-density fiberglass fill.

BMT95-4 Series. Models are supported by two mounting ears and will accommodate Atlas Sound torsion-spring grille Models T51-84 and T720-4BT which mount 4" (102mm) loudspeakers. Model BMT95-4 has a depth of 5" (127mm); BMT95-4-7 is a 7" (178mm) deep extra-depth version which includes high-density fiberglass fill.

| MODEL | DIMENSIONS * | | | MOUNTS BAFFLE (selected models shown on back) |
|------------------|------------------|------------------|-----------------|---|
| | A | B | C | |
| BMT95-8 | 11 ¾" (298mm) | 10 ½" (257mm) | 4 ¼" (108mm) | (T)51-8, (T)60-8(W), (T)61-8W, (T)62-8, 63-8, 67-8(W), 68-8W, 170-8, G22-8, T610-8W, T710-8, T720-8A, M222(W), TM222W, P900, VP60-R |
| BMT95-8-7 | | | 7" (178mm) | |
| BMT95-4 | 7 ¾" (200mm) | 6 ½" (165mm) | 5" (127mm) | T51-84, T720-4BT |
| BMT95-4-7 | | | 7" (178mm) | |

Specifications subject to change without notice



1601 JACK MCKAY BLVD. / ENNIS, TEXAS 75119 U.S.A. / TELEPHONE: (800) 876-3333 / FAX (800) 765-3435

THREE

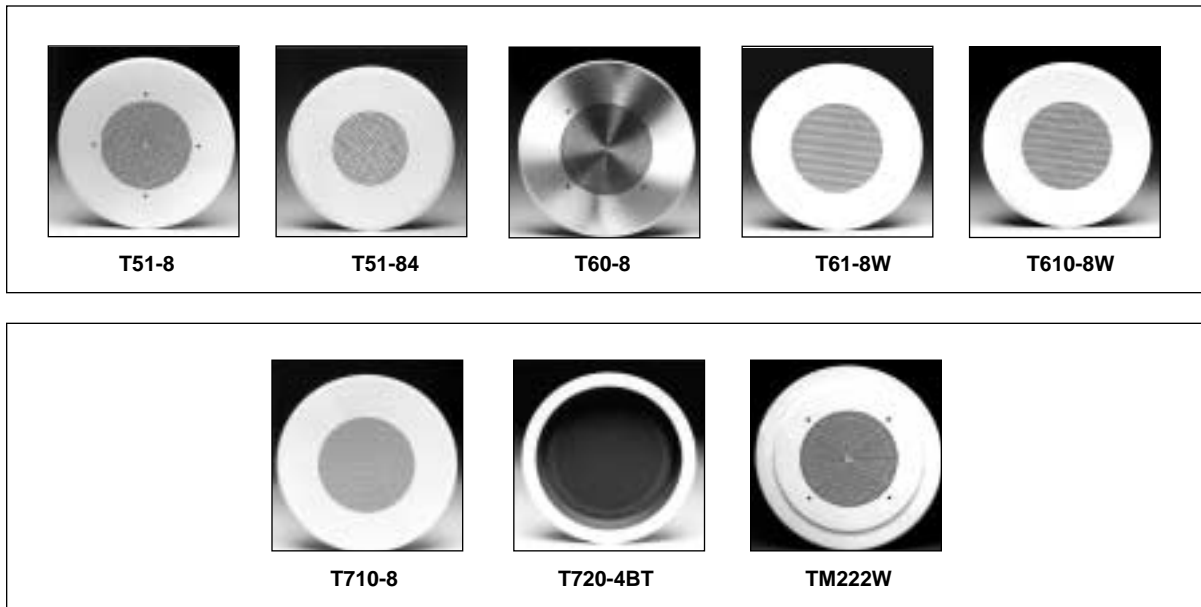
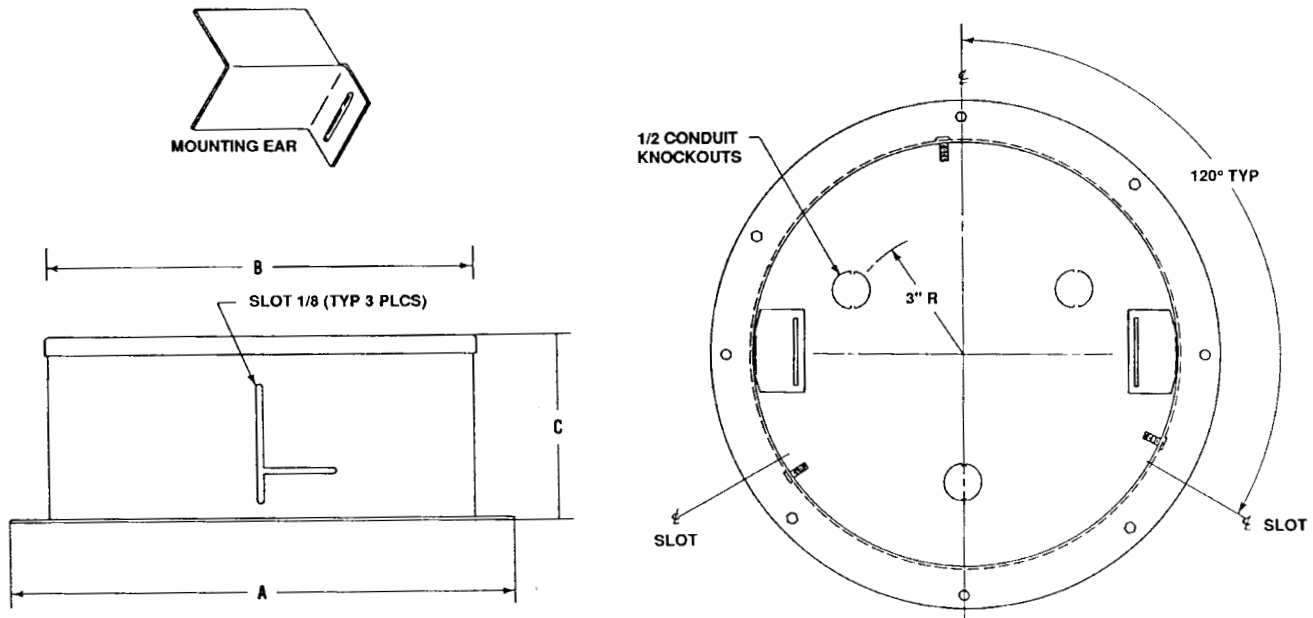


Figure 1: Patented mounting system of BMT95-8/BMT95-4 Series



Note: Enclosure includes mounting ears (three ears for BMT95-8 Series, two ears for BMT95-4 Series) Extending 2 1/8" (67mm) past enclosure exterior.

ARCHITECT AND ENGINEER SPECIFICATIONS

Enclosure shall be Atlas Sound Model ____ (BMT95-8, BMT95-8-7, BMT95-4, BMT95-4-7). Unit shall have ____ (three, two) point mounting bracket system telescoping out from inside enclosure to provide secure mounting of enclosure to ceiling system. It shall include provi-

sions for quick mounting of Atlas Sound loudspeaker Model ____ and (torsion-spring or surface-mounting) grille Model _____. Damping material or high-density fiberglass fill shall be applied internally to eliminate metallic resonance.

Specifications subject to change without notice



1601 JACK MCKAY BLVD. / ENNIS, TEXAS 75119 U.S.A. / TELEPHONE: (800) 876-3333 / FAX (800) 765-3435