

# Model TBCR

## TILE BRIDGE SUPPORT RING

### Description

The Tile Bridge Support Ring (TBCR) is designed to offer additional mounting support for a variety of installations involving clamping type ceiling speakers.

### Installation

#### SUSPENDED CEILING INSTALLATION

1. Remove the tile from the ceiling and put the TBCR on top of the ceiling tile, aligning the ends of the TBCR rails as shown in the drawing.
2. Typically the ceiling speaker will be mounted in the center of the ceiling tile. The support ring should be positioned in the center of the rails and the ends of the rails flush with the sides of the tile for this installation. The speaker can be mounted in other locations in the ceiling tile by moving the ring and/or tile bridge assembly if desired, however, care must be taken to ensure that the TBCR rails will still be flush with the tile sides and that the ring portion will not interfere with the suspension grid.
3. Use the ring as a guide to cut a hole in the ceiling tile.
4. Sandwich the tile between the TBCR and the speaker bezel and tighten the speaker clamps. Complete speaker installation and connections as directed in speaker's instruction manual.

#### NEW CONSTRUCTION - JOISTS EXPOSED

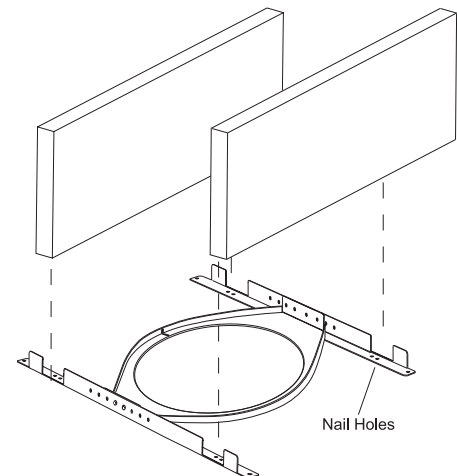
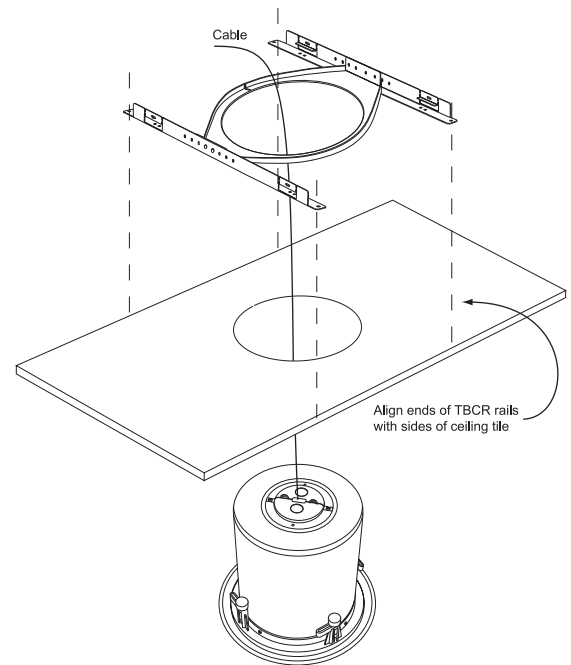
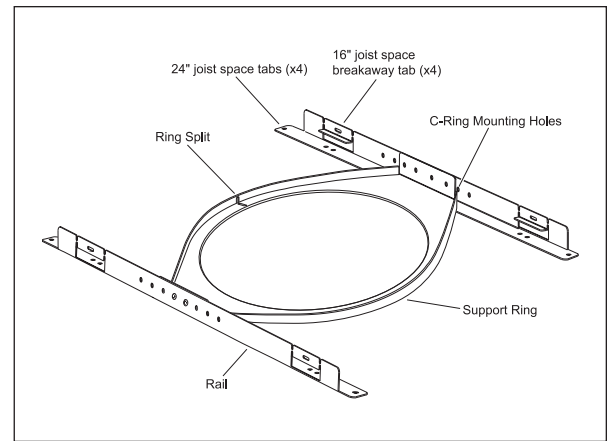
In new constructions, the TBCR can serve as a routing guide for the speaker cutout when installed before the sheetrock is applied. It provides a second benefit by stiffening the area around the bezel after speaker installation.

##### A. For 16" Centers Joist Spacing

In 16" joist spaces (the outside distance of the joists must be no greater than 17" and the inside spacing of the joists must be no less than 14<sup>3</sup>/<sub>4</sub>" in order for the rails to fit), the support ring must remain in the center of the rails. Shifting the ring position may cause the swing out clamps of the speaker to hit the joist and prevent it from fully extending.

**Note: Support Ring must be fully within the joist space for the speaker to mount correctly. Also, check that there is sufficient vertical space above the ring to fit the particular speaker being used.**

1. Remove the 4 breakaway tabs.
2. With the ring section attached, nail the TBCR in 4 places to the bottom of the joists through the nail holes. (Two nail holes are provided in each joist location. Pick the one that is closest to the joist center.) The 24" center tails of the rails will protrude into the adjacent joist spaces.
3. After the sheetrock is up and the hole routed, follow the speaker's installation instructions to complete the installation.

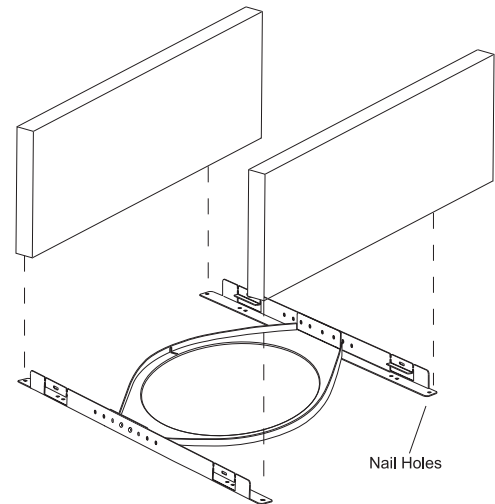


### B. For 24" Centers Joist Spacing

1. Determine the location laterally in the joist space for the speaker and move the support ring accordingly.

**Note: Support Ring must be fully within the joist space for the speaker to mount correctly. Also, check that there is sufficient vertical space above the ring to fit the particular speaker being used.**

2. Nail the TBCR (as it comes, **do not remove breakaway tabs**) to the bottom of the joist.
3. After the sheetrock is up and the hole routed, follow the speaker's installation instructions to complete the installation.



### RETROFITTING INTO EXISTING SHEETROCK CEILINGS

The support ring in this application provides additional stiffening of the opening and can be used as a template to outline the hole.

#### IMPORTANT

- The edge of this hole must be a minimum of 1¼" away from any joists to ensure it will not interfere with the clamps.
- Check that there is sufficient vertical space above the ring to fit the particular speaker being used. Before cutting the full hole, use a smaller exploratory hole to determine joist height and to check for obstructions.

1. Determine an appropriate location in ceiling, taking into account joists and other obstructions. Use the support ring as a template to outline the hole and cut the opening.
2. Using a pair of cutting pliers, snip the tabs bridging the gap in the ring.
3. Twist the ring into the hole. The ring is split to allow it to be "threaded" though the hole. The bent ends of the ears must point up. Align the ring with the hole.
4. Follow the speaker's installation instructions to complete the installation.

The TBCR is warranted to be free from defects in material or workmanship for five (5) years from the date of sale to the original purchaser. Any part of the product covered by this warranty that, with normal installation and use, becomes defective will be repaired or replaced by Bogen, at our option, provided the product is shipped insured and prepaid to: Bogen Factory Service Department, 50 Spring Street, Ramsey, NJ 07446, USA. The product will be returned to you freight prepaid. This warranty does not extend to any of our products that have been subjected to abuse, misuse, improper storage, neglect, accident, improper installation or have been modified or repaired or altered in any manner whatsoever, or where the serial number or date code has been removed or defaced.

**THE FOREGOING LIMITED WARRANTY IS BOGEN'S SOLE AND EXCLUSIVE WARRANTY AND THE PURCHASER'S SOLE AND EXCLUSIVE REMEDY. BOGEN MAKES NO OTHER WARRANTIES OF ANY KIND, EITHER EXPRESS OR IMPLIED, AND ALL IMPLIED WARRANTIES OF MERCHANTABILITY OR FITNESS FOR A PARTICULAR PURPOSE ARE HEREBY DISCLAIMED AND EXCLUDED TO THE MAXIMUM EXTENT ALLOWABLE BY LAW.** Bogen's liability arising out of the manufacture, sale or supplying of products or their use or disposition, whether based upon warranty, contract, tort or otherwise, shall be limited to the price of the product. In no event shall Bogen be liable for special, incidental or consequential damages (including, but not limited to, loss of profits, loss of data or loss of use damages) arising out of the manufacture, sale or supplying of products, even if Bogen has been advised of the possibility of such damages or losses. Some States do not allow the exclusion or limitation of incidental or consequential damages, so the above limitation or exclusion may not apply to you. This warranty gives you specific legal rights, and you may also have other rights which vary from State to State.

Products that are out of warranty will also be repaired by the Bogen Factory Service Department -- same address as above or call 201-934-8500. The parts and labor involved in these repairs are warranted for 90 days when repaired by the Bogen Factory Service Department. All shipping charges in addition to parts and labor charges will be at the owner's expense. All returns require a Return Authorization number.