

Description

Series L2150 surface doors feature Lowell's innovative 45 degree bevel on all four sides, 180 degree open-swing access, and quick in-field change from right to left swing by simply moving the hinges (no drilling required). Easy door change (even after equipment is installed) is facilitated by factory installed hinge nutserts on the front-right and front-left of all companion rack and cabinet frames (see hinge detail - page 2).

Specify solid, smoked Plexiglas, or perforated steel styles to meet your security, aesthetic, and ventilation needs. All doors surface mount and are precision formed from one piece of 16-gauge steel for torsional rigidity. The Plexiglas model also features a smoked plexiglas panel insert.

Doors extend 1" from the rack or cabinet frame on the outside and provide .75" of space from the frame on the inside to accommodate equipment with protruding knobs and handles. Additionally, the front rails on racks and full size cabinets are recessed 1.75" from the front frame providing a full 2.5" clearance from the rail to the inside of the closed door. *The rails on sectional cabinet Series L250 and L253 are recessed .625" providing 1.375" clearance.* All doors include a comfortable flush handle insert, key-lock (different from rear door), and two door hinges that install with two 10-32 x 1" socket-head machine screws each, for mounting the door right or left. For a clean cosmetic appearance, each hinge includes two black rubber hole plugs to cover screws.

Keys are included with all doors. Replacement keysets are available - order separately:

- Model 203 Rear door keyset
- Model 204 Front door keyset

A & E Specifications

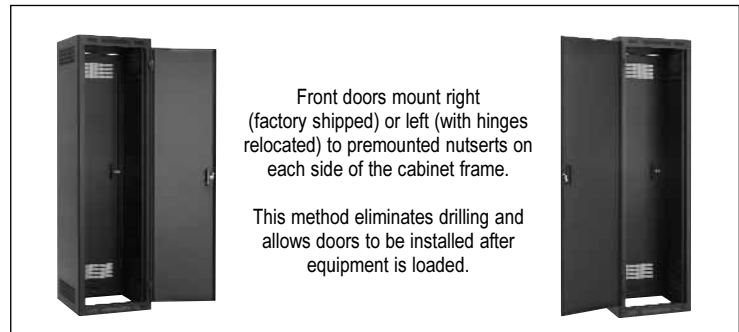
Front door for locking security on Lowell racks and cabinets shall be _____ (solid, Plexiglas, perforated) model _____ with key access lock. Door shall surface mount, extending 1" from the cabinet frame, to provide 180 degree open-swing access. It shall attach without drilling to pre-threaded hinge inserts on the Lowell rack/cabinet frame. Hinge inserts are located on the right and left to accommodate mounting on either side. Doors shall be 16-gauge steel construction with an integral solid front, Plexiglas panel insert, or integral perforated front with powder epoxy finish.



Solid Door
L2150 Series

Plexiglas Door
L2150P Series

Perforated Door
L2150PF Series



Front doors mount right (factory shipped) or left (with hinges relocated) to premounted nutserts on each side of the cabinet frame.

This method eliminates drilling and allows doors to be installed after equipment is loaded.

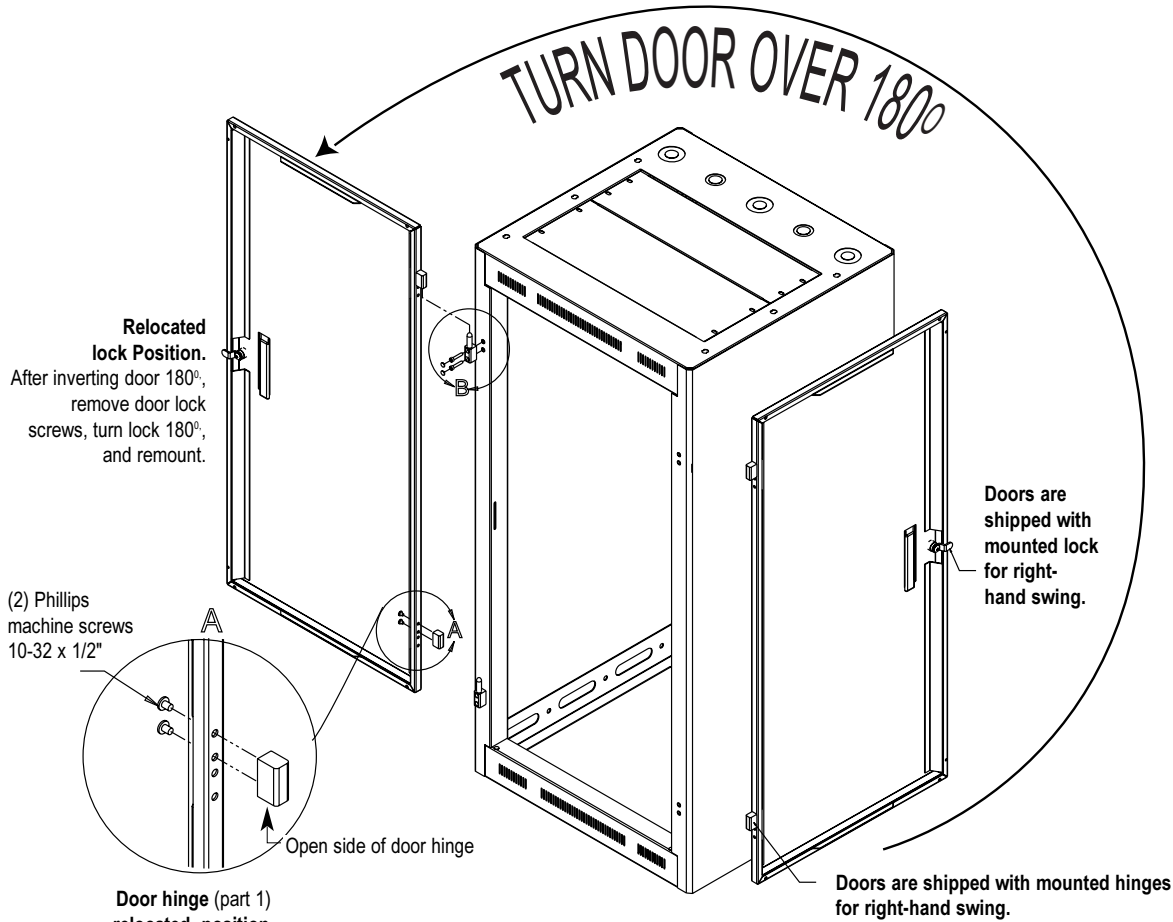
Doors may be field changed from right to left without drilling (see page 2).

Racking Height	Solid Door 20"W x 1"D	PlexiglasDoor 20"W x 1"D	Perforated Door 20"W x 1"D	Mounts to 19"W Rack and Cabinet Models (note Series L250, L253, L258, and L259 include doors.)
77.125" (44RU)	L2150-77	L2150-77P	L2150-77PF	L279-77, L278-77, L277-77, L275-77, L268-77, L267-77, L265-77, L262-77, L260-77
70.125" (40RU)	L2150-70	L2150-70P	L2150-70PF	L279-70, L278-70, L277-70, L275-70, L268-70, L267-70, L265-70, L262-70, L260-70
61.375" (35RU)	L2150-61	L2150-61P	L2150-61PF	L279-61, L278-61, L277-61, L275-61, L268-61, L267-61, L265-61, L262-61, L260-61, L253-61, L250-61
42.125" (24RU)	L2150-42	L2150-42P	L2150-42PF	L277-42, L267-42, L265-42, L262-42, L260-42, L253-42, L250-42, L259-42
36.875" (21RU)	L2150-36*	L2150-36P*	L2150-36PF*	L267-36, L265-36, L262-36, L260-36, L253-36, L250-36, L258-36, L259-36
28.125" (16RU)	L2150-28*	L2150-28P*	L2150-28PF*	L253-28, L250-28
24.635" (14RU)	L2150-24*	L2150-24P*	L2150-24PF*	L258-24
21.125" (12RU)	L2150-21	L2150-21P	L2150-21PF	L253-21, L250-21
17.625" (10RU)	L2150-17*	L2150-17P*	L2150-17PF*	L253-17, L250-17
12.375" (7RU)	L2150-12*	L2150-12P*	L2150-12PF*	L253-12, L250-12

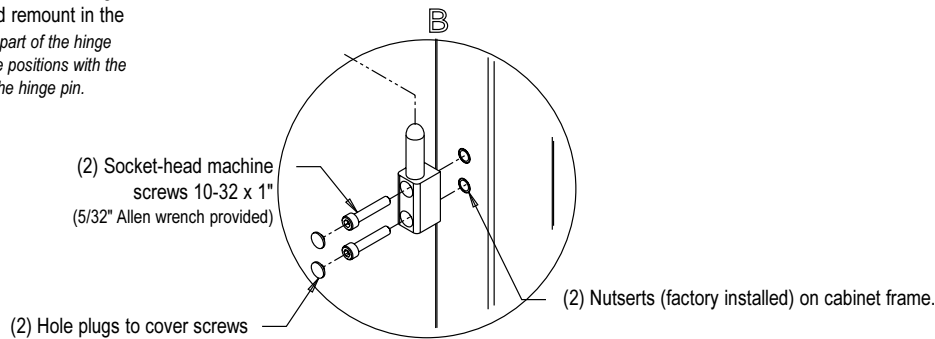
*Models are also used on Lowell's L46 Series dual door system (add-on frame with two doors) for Lowell racks and cabinets.

Changing a Lowell door from right swing to left swing

Doors mount right (factory shipped) or left (with hinges relocated) to premounted nutserts on each side of the cabinet frame. This method eliminates drilling and allows doors to be installed after equipment is loaded.



Door hinge (part 1) relocated position.
After inverting door 180°, remove door hinge screws, turn hinges 180°, and remount in the top two hole positions. *This part of the hinge always mounts in the top two hole positions with the open side down to accept the hinge pin.*



Door hinge pin (part 2) mounts to cabinet without drilling
The second part of the door hinge (pin) is always field installed to factory mounted nutserts. Nutserts are located on the front left and right of cabinet.

Open Frame Floor

Solid Side Floor & Desk

Wallmount Surface & Recessed

Panels & Accessories

Thermal & Wire Mngmt

19W Door Accessories