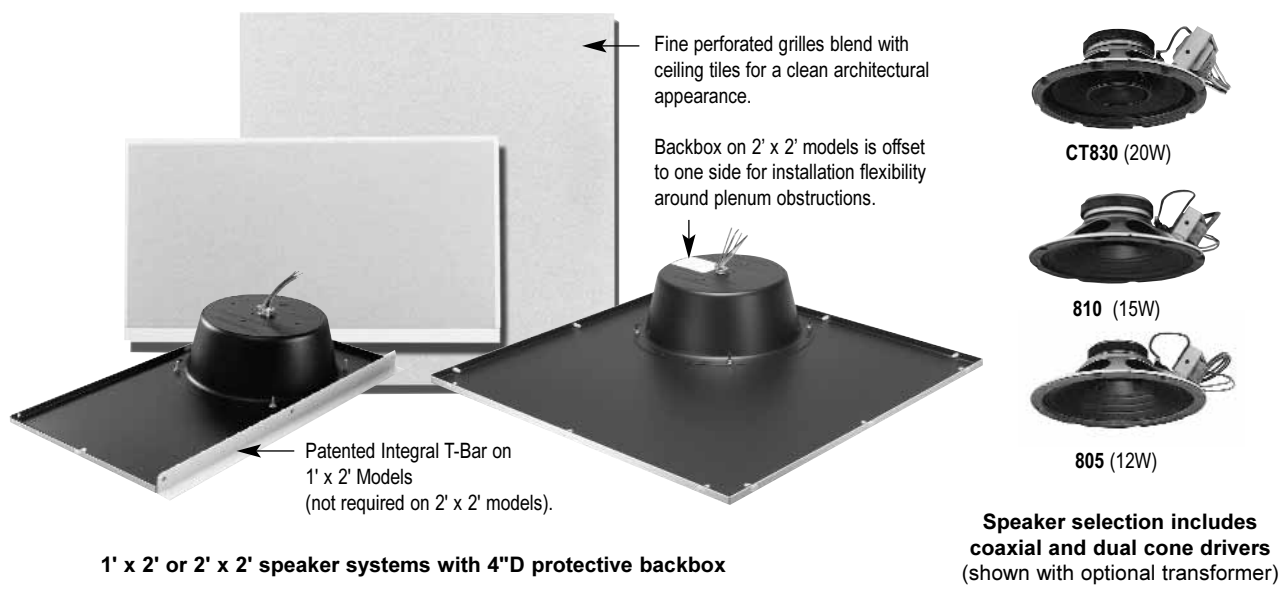


1' x 2' Systems with integral T-Bar replace half of a 2' x 2' ceiling tile or 1/4 or a 2' x 4' tile.

2' x 2' Systems replace a standard 2' x 2' ceiling tile.



1' x 2' or 2' x 2' speaker systems with 4"D protective backbox

Speaker selection includes coaxial and dual cone drivers (shown with optional transformer)

Quality Features

- Choose 1' x 2' tile assemblies with integral patented T-bar support or 2' x 2' tile replacement systems.
- Systems install quickly into suspended tile ceilings and are supported by the T-bar grid.
- Systems include a wired speaker, transformer, grille, and 4"D 8XD4-style protective backbox.
- Fine perforated grilles blend with ceiling tiles and provide excellent acoustic transparency.
- Speaker selection includes 8" coaxial and dual cone 8-ohm drivers with optional 70V transformer.
- Also available with volume backbox and 50-100W 8" driver or 4" (15W) or 6" (40W) driver.

Description

LT Series speaker assemblies provide quality performance, unobtrusive appearance, and easy installation in suspended ceiling applications. Systems include a choice of factory wired driver mounted to a fine perforated grille (1' x 2' or 2' x 2') with wired speaker or speaker/transformer and factory mounted 4"D protective backbox. They are shipped ready to install and require no speaker cut-outs in the tile or time consuming assembly.

1' x 2' Systems are supported by the T-Bar grid and include an integral T-Bar support (*Patented*) for fast installation when replacing half of a 2' x 2' tile or one quarter of a 2' x 4' tile. Ready-to-install systems include a factory wired speaker or speaker/ transformer mounted to a 1' x 2' subplate with a fine-perforated grille, integral T-Bar, and 8XD4-style protective backbox. For installation convenience speaker leads exit the backbox through a metal clamp.

2' x 2' Systems are designed to replace a standard 2' x 2' tile and are supported by the T-bar grid. Assemblies include a factory wired speaker or speaker/transformer mounted to a 2' x 2' subplate with a fine-perforated grille and mounted 8XD4-style protective backbox. The backbox is offset to one side of the 2' x 2' grille allowing it to be rotated in the ceiling to install around plenum obstructions. For fast connection, speaker leads exit through a metal clamp.

System Drivers include Lowell's 8" coaxial Model CT830 (20W), 8" dual-cone Model 810 (15W), or 8" dual-cone Model 805 (12W). Each is designed and manufactured to assure consistent performance with clear intelligibility and wide dispersion. Assemblies are available with optional factory wired 70V or 25/70V transformer. See also *LT Series 1' x 2' and 2' x 2' systems with 140W or 50W high-fidelity coaxial driver in volume backbox*. General speaker and transformer specifications are shown on page 2; detailed performance data is outlined on each component's specification sheet.

Architectural Grilles feature a fine perforated pattern for a clean unobtrusive appearance. Grilles are engineered to provide maximum free-air space for excellent speaker sound transmission while achieving virtually invisible presentation of the speaker in new or exiting tile ceilings. 1' x 2' grilles include an integral two-foot T-bar to support neighboring tile; 2' x 2' grilles simply replace a 2' x 2' tile. All are formed from perforated steel and finished in white powder epoxy for long lasting appearance.



LT Series

8inch 20W, 15W, 12W Tile Speaker Systems with Protective Backbox

A & E Specifications

The speaker system for suspended tile ceilings shall be Lowell LT Series Model _____ with grille size _____ (1' x 2', 2' x 2'). 1' x 2' systems shall replace half of a 2' x 2' tile or one quarter of a 2' x 4' tile and shall include an integral T-Bar to support the adjacent ceiling tile. 2' x 2' systems shall directly replace a 2' x 2' tile. Each system shall include a factory mounted 8-ohm speaker with optional wired transformer mounted to a sub-plate with a fine per-

forated steel grille finished in white powder epoxy. System shall also include a factory mounted 4"D galvanized steel backbox with speaker terminations exiting through a metal clamp. The speaker driver shall be _____ (8" coaxial, 8" dual cone) with an RMS power rating of _____ (20W, 15W, 12W). It shall have a magnet weight of _____ (10oz., 5oz.), frequency response of _____ and a sensitivity of _____ measured 1W/1M. Models with wired transformer shall be _____ (70V or 70/25V) with primary taps at _____ (1, 2, 4, 8W or .5, 1, 2, 4W).

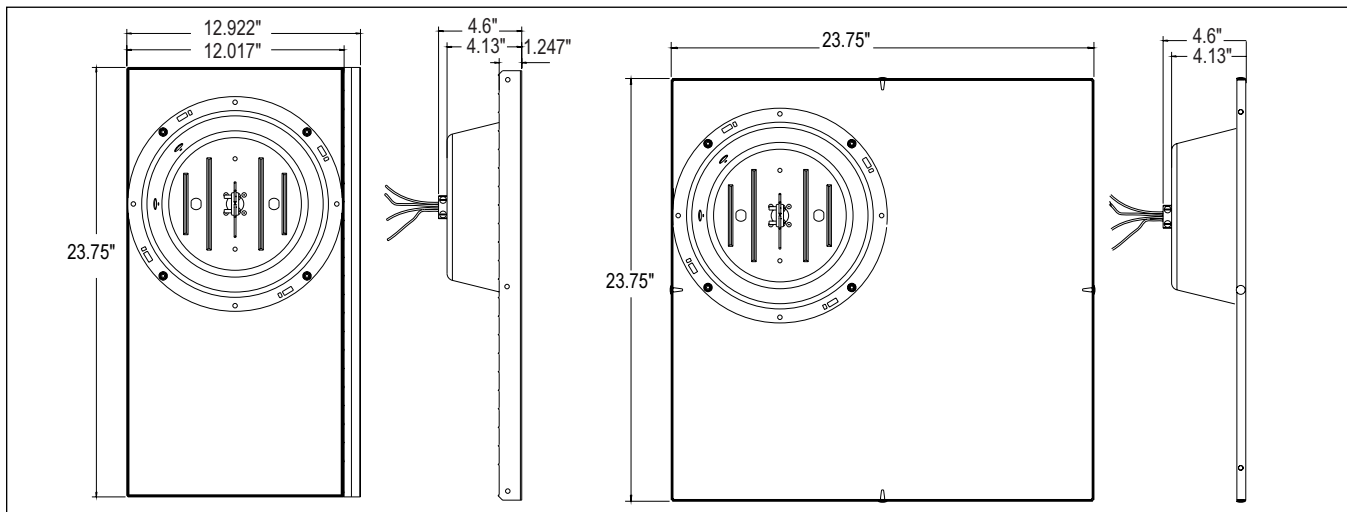
LT SERIES 1' x 2' AND 2' X 2' SPEAKER SYSTEMS WITH PROTECTIVE BACKBOX (20W, 15W, 12W)♦

1' x 2' System Model (integral T-Bar)	2' x 2' System Model (Tile Replacement)	Driver	Transformer Model	Transformer Taps	Grille (1' x 2' or 2' x 2' - see Model)	Backbox (mounted)
LT830-BB	LT2830-BB	CT830 (20W)	--	--	Fine perforated steel, white	8XD4-style
LT830-870BB	LT2830-870BB	CT830 (20W)	TLM870	70V: 8, 4, 2, 1W	Fine perforated steel, white	8XD4-style
LT810-BB	LT2810-BB	810 (15W)	--	--	Fine perforated steel, white	8XD4-style
LT810-72BB	LT2810-72BB	810 (15W)	TLM72	70/25V: 4, 2, 1, .5W	Fine perforated steel, white	8XD4-style
LT805-BB	LT2805-BB	805 (12W)	--	--	Fine perforated steel, white	8XD4-style
LT805-72BB	LT2805-72BB	805 (12W)	TLM72	70/25V: 4, 2, 1, .5W	Fine perforated steel, white	8XD4-style

♦Lowell also offers LT Series 1' x 2' and 2' x 2' systems with 4" (15W) driver, 6" (40W) driver, or 8" (12W-100W) driver; and in labor saving 8" paging/masking versions with dual drivers.

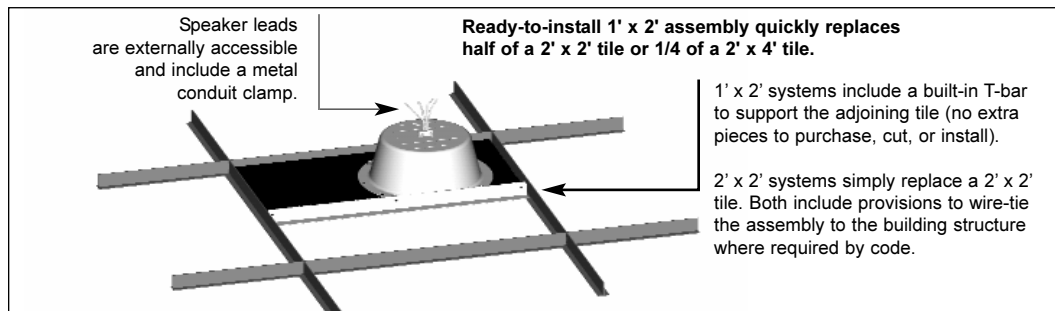
DRIVER SPECIFICATIONS (measured half space)

Driver Model	Size	Power Rating	Type	Ceramic Magnet	Frequency Response	Dispersion	Voice Coil Impedance	Voice Coil Diameter	Sensitivity 1W / 1M	Depth (w/o xfmr)	Weight (w/o xfmr)
CT830	8"	20W	Coaxial	10 oz. LF 2.1 oz. HF	50Hz - 17.5kHz ±6dB 50Hz - 19kHz Nominal	85° @ 2000Hz -6dB	8 Ohms	1" LF 0.57" HF	96dB Avg 100dB Peak	3.0"	2.4 lbs.
810	8"	15W	Dual cone	10 oz.	45Hz - 13kHz ±6dB 45Hz - 18kHz Nominal	120° @ 2000Hz -6dB	8 Ohms	1"	95dB Avg 100dB Peak	2.84"	2.0 lbs.
805	8"	12W	Dual cone	5 oz.	55Hz - 12.5kHz ±6dB 55Hz - 18kHz Nominal	120° @ 2000Hz -6dB	8 Ohms	1"	93dB Avg 98dB Peak	2.68"	1.3 lbs.



LT Series 1' x 2' system with 8XD4-style backbox

LT Series 2' x 2' system with 8XD4-style backbox



Installation Features

A
U
D
I
O

12"/10"
Speakers &
Accessories

8"
Speakers &
Accessories

6"
Speakers &
Accessories

4"
Speakers &
Accessories

Horn
Speakers &
Accessories

Masking
Speakers &
Generators

Control
Accessories
& Electronics

Systems