

Description

Lowell grille Model SG-8 is the industry standard when it comes to square ceiling grilles for loudspeakers. Its clean, beveled edge appearance and companion recessed or surface square backboxes make it popular for installation in a variety of locations including offices, hotels, schools, airports, medical, retail, and commercial facilities of all types.

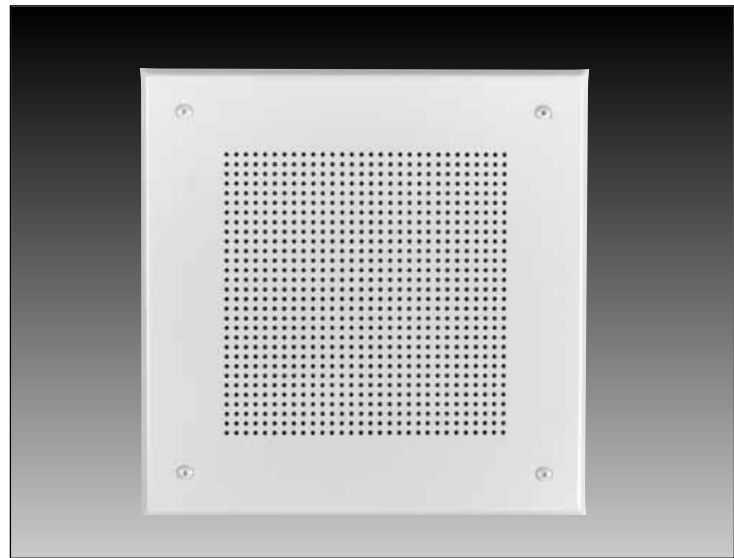
Grille is precision formed from a single piece of 22-gauge steel with a perforated center and beveled edge for attractive wall or ceiling installation. Model SG-8 features an open chipboard gasket and four 8-32 x 3/4" welded studs with palnuts for concealed mounting of an 8" EIA speaker driver or Lowell's 15W narrow profile Unihorn™ with 3.72"D. It is additionally equipped with four white 8-32 x 1-1/2" Phillips-head screws for attaching the speaker/grille assembly to the recessed or surface backbox (order separately - see page 2). The grille is 11.438" square finished in white powder epoxy for long lasting quality appearance.

Lowell offers a wide selection of 8" speaker drivers with optional 70V or 25V transformer for distributed voice paging and music. Popular 8" drivers include Model 805 (12W dual cone), 810 (15W dual cone), 8C10MR (15W moisture resistant), CT830 (20W coaxial), CT8320 (25W coaxial), and 8A50 (50W coaxial). Additionally, Lowell's 15W Unihorn Model LUH-15T will also fit grille Model SG-8 using companion backboxes noted.

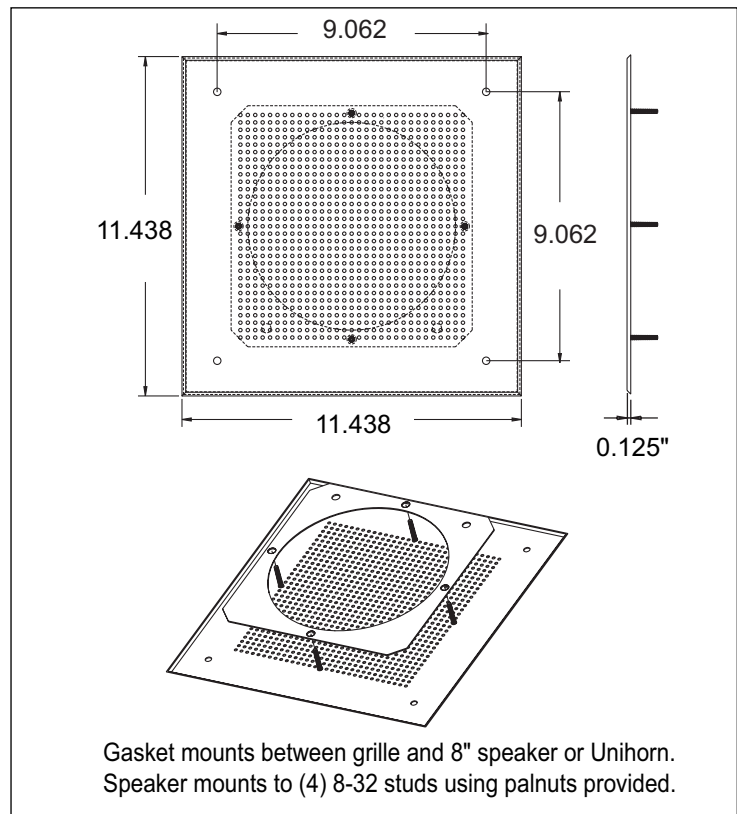
A & E Specifications

The grille for 8" speaker drivers or Lowell's Unihorn shall be Lowell Model SG-8. It shall be fabricated from one-piece 22-gauge perforated steel reinforced with a peripheral flange. The grille shall be 11.438" SQ with a shallow mounting projection of 0.125". Model SG-8 shall include a chipboard gasket and 8-32 x 3/4" welded studs with palnuts for mounting specified 8" EIA speaker. Each grille shall also have four 0.218" holes on a 9.062" centers for mounting specified recessed or surface backbox. Grille shall be finished in white powder epoxy and include white screws for backbox installation.

Companion backbox shall be Lowell recessed Model _____ (P68X, P68X-6, P68X-10) or surface Model CB84-SG. Companion channel rails for suspended installations shall be Lowell Model _____ (SS24 or SS30 rails).



SG-8
Steel grille for screw-mount installation



Grille Specifications and Companion Mounting Accessories (order separately)

Grille Model	Speaker Size*	Grille Size	Mounting Provisions	Material	Color	Backbox or Mtg. Ring Choices (Choose one, plus tile bridge or(if required for rails if required.).....)	Channel Railssuspended ceilings)
SG-8	8" (or Unihorn)	11.438"SQ	4 studs, 4 screws	Steel	White	P68X, P68X-6, P68X-10 CB84-SG (surface mount)	SS Series railsN.A.

*Lowell offers a selection of 8" speakers with optional 70V or 25V transformers and the 15W Unihorn with 3.72"D. - see the Description paragraph or detailed specs on line.



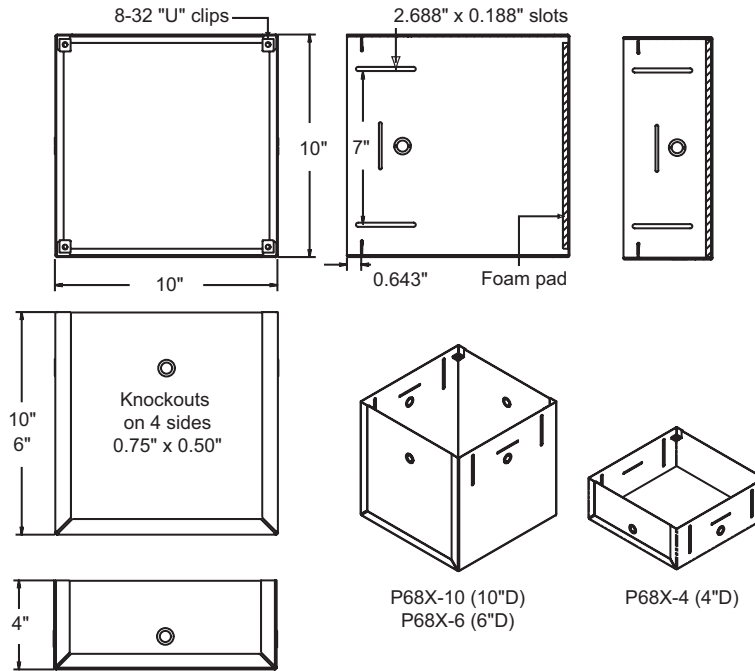
SG-8

Steel Grille with Screw-mount Installation for 8" Speakers or Unihorn

Companion mounting accessories for grille Model SG-8 (order separately)



P68X (4"D)
P68X-6 (6"D)
P68X-10 (10"D)



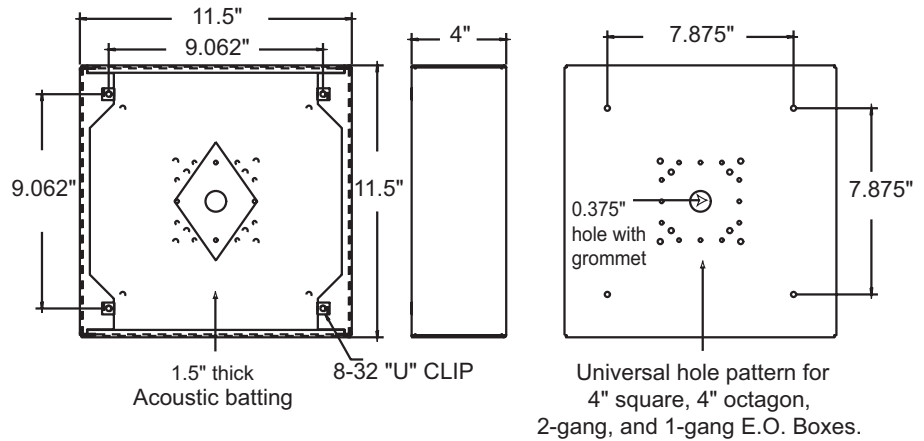
AUDIO

12"/10"
Speakers & Accessories

8"
Speakers & Accessories



CB84-SG Surface Backbox



6"
Speakers & Accessories

4"
Speakers & Accessories

Horn
Speakers & Accessories

Masking
Speakers & Generators

Companion Backboxes (order separately)

Backbox Model	Mounts Speaker Size	Backbox Size	Features	Mounts Grille (order separately)
P68X	8" (or Unihorn)	10"SQ x 4"D	Foam pad	SG-8
P68X-6	8" (or Unihorn)	10"SQ x 6"D	Foam pad - extra depth	SG-8
P68X-10	8" (or Unihorn)	10"SQ x 10"D	Foam pad - extra depth	SG-8
CB84-SG (surface mount)	8" (or Unihorn)	11.5"SQ x 4"D	Surface mount, white finish, 1.5" thick batting	SG-8

Control
Accessories & Electronics



Channel Rail Details (order separately if required for suspended tile ceilings)

SS24	24"L channel rail pair
SS30	30"L channel rail pair

Grilles - Ceiling / Wall