



MODEL S39A VIBRATION ISOLATION STAND WITH SWIVEL ADAPTER

The Model S39A Vibration Isolation Stand provides excellent shock isolation, preventing floor or table vibrations from reaching a mounted microphone. Use the S39A for sportscasting, conference table or front-of-stage installations, or any application where severe vibrations may occur.

INSTALLING MICROPHONES ON S39A

1. Mount lightweight microphones directly to the S39A.
2. Mount heavier microphones with bottom-entry cable connectors on the provided extension adaptor. The extension adaptor increases the amount of cable-connector clearance.
3. Fasten swivel adapters or extension adapters to the S39A with the supplied brass attachment screw.
4. Insert the screw through the bottom of the stand base and tighten with a large screwdriver.
5. To make adjustments, loosen the screw, adjust, then tighten the screw.

NOTE: Do not use the S39A with microphones weighing over 1 kilogram (2.25 lbs.). Excessive weight reduces the effectiveness of the isolation.

SPECIFICATIONS:

Weight: 964 g (2.125 lbs.)

Dimensions: See Figure 1

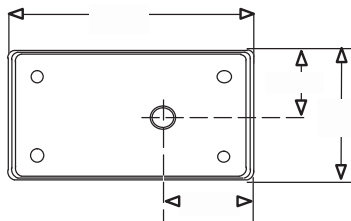


FIGURE 1

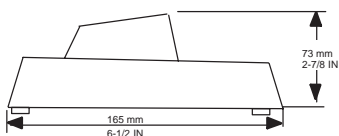
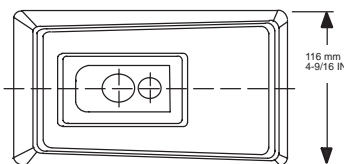


FIGURE 4



MODEL S37A DESK STAND

The Model S37A Desk Stand provides a low profile, stable base for microphones with swivel connector assemblies, or microphones using swivel adapters.

INSTALLING SWIVEL CONNECTOR ASSEMBLIES ON S37A (FIGURE 2):

1. Place the microphone in the recess at the top of the base.
2. Fasten the microphone to the base with the provided brass attachment screw.
3. Insert screw through the bottom of the base and tighten with a large screwdriver.
4. Insert the cable-connector plug into the microphone receptacle.
5. Place the cable in the groove in the bottom rear of the base.
6. Clamp the cable to the base using the provided clamping strip and machine screws.

NOTE: The supplied mounting plate is not used with swivel connector assemblies.

USE WITH SWIVEL ADAPTERS (FIGURE 3):

1. Place the provided mounting plate in the recess at the top of the base.
2. Position the swivel adapter on top of the mounting plate so that the swivel adapter projection fits into the notch on the mounting plate. Secure it with the supplied brass screw.
3. Tighten the brass attachment screw with a large screwdriver.

SPECIFICATIONS:

Finish: Non-reflective gray

Weight: 691g (1.5 lbs)

Dimensions: See Figure 4

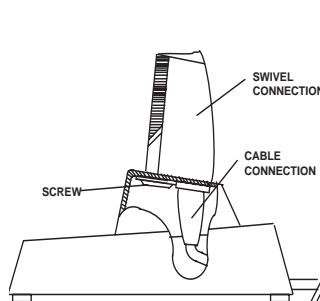


FIGURE 2

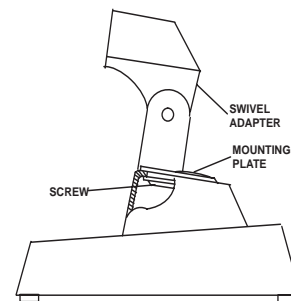


FIGURE 3



SHURE Incorporated Web Address: <http://www.shure.com>

5800 W. Touhy Avenue, Niles, IL 60714-4608, U.S.A.

In U.S.A., Phone: 1-847-600-2000 Fax: 1-847-600-1212

In Europe, Phone: 49-7131-72140 Fax: 49-7131-721414

In Asia, Phone: 1-852-2893-4290 Fax: 1-852-2893-4055

International Fax: 1-847-600-6446