



Middle Atlantic Products, Inc.

middleatlantic.com

## SBX Series Wall Mount Enclosure

EIA Compliant

### Economical wall mount rack for small systems

#### Features

- 7 space (12-1/4") and 10 space (17-1/2") racking height
- Removable backpan
- Standard locking front door swings 180 degrees
- Deep rail-to-door clearance provides flexibility unlike flush door designs
- Most rugged door hinge in the industry
- 11-gauge threaded rack rails
- Aesthetic perforations provide superior ventilation over louvered designs
- Large pull-box sized laser KO in backpan
- 1/2" and 3/4" electrical knockouts on top and bottom
- 1/2", 3/4", 1", and 1-1/2" electrical knockouts on rear
- 16 and 18-gauge fully welded construction
- 14-3/4" cabinet depth, 1-1/2" door depth
- Attractive and durable black textured powder coat finish



#### Architects' and Engineers' Specifications

EIA compliant 19" wall mount equipment rack shall be Middle Atlantic Products model # SBX-\_\_ (7,10). Overall dimensions of rack shall be 22.3" W x 17" D x \_\_ (15.5", 20.5") H with \_\_ (7,10) rackspaces of useable height and 14.75" useable depth. Weight capacity of SBX-\_\_ (7,10) shall be \_\_ (75, 100) lbs. Rack shall be constructed of the following materials: top and bottom shall be 16-gauge steel, sides and door shall be 18-gauge steel, all rack elements shall be phosphate pre-treated and have a black powder coat finish. Rack shall come equipped with one pair of 11-gauge steel rackrail with tapped 10-32 mounting holes in universal EIA spacing with black e-coat finish and marked rackspaces. Rack shall include factory installed door with lock and key and security screws and security bit for tamper-proof backpan mating. Welded-on sides include vertical slotted vent pattern at top and bottom. Rack shall have four each on top and bottom 1/2" or 3/4" cable knockouts, and six cable knockouts on backpan, four 1-1/2" or 1", and 1/2" or 3/4". Rack shall be a two piece construction allowing for mounting of backpan to wall and preloading of rack, prior to installing rack to wall.

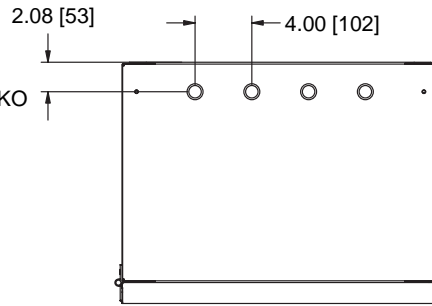
electronic version available at [middleatlantic.com](http://middleatlantic.com)

### Engineered Mounting Solutions for Low Voltage Applications

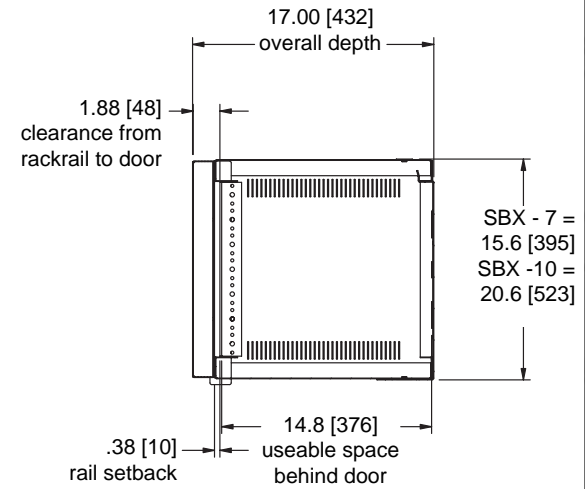
US: New Jersey • California • Illinois • Voice: 973-839-1011 Fax: 973-839-1976 • [middleatlantic.com](http://middleatlantic.com)  
 Canada: Ontario • British Columbia • Voice: 613-836-2501 Fax: 613-836-2690 • [middleatlantic.ca](http://middleatlantic.ca)

# SBX Series basic dimensions

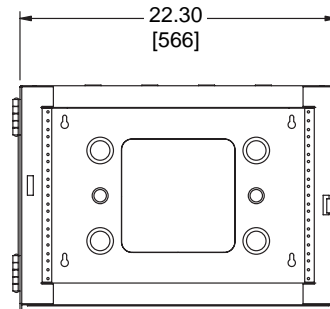
**TOP VIEW**



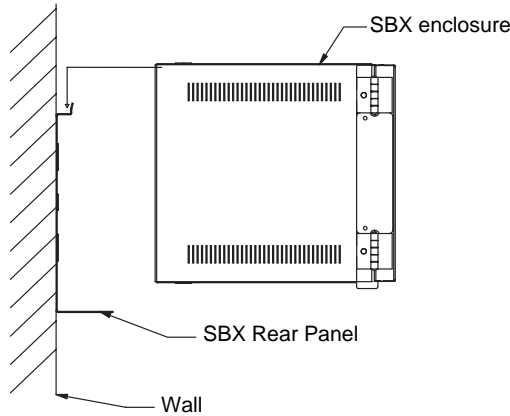
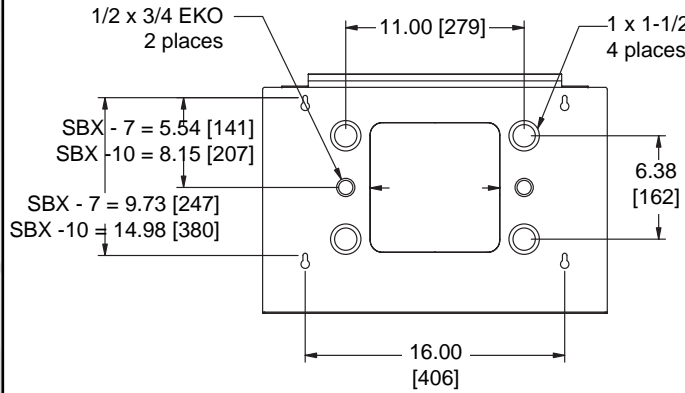
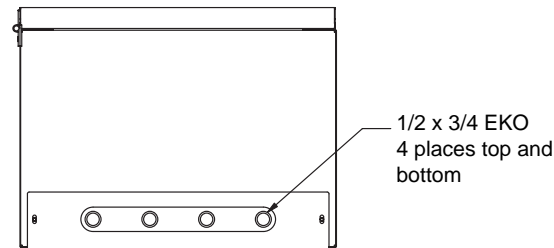
**SIDE VIEW**



**FRONT VIEW**



**BOTTOM VIEW**



**SIDE VIEW  
(MOUNTING DETAIL)**

All dimensions in inches unless otherwise noted [All dimensions in bracket are in millimeters]

