



EXTRA DEPTH ENCLOSURES FOR EXTENDED 8" LOUDSPEAKER PERFORMANCE

(T)95-8-7, (T)95-8-10
96-8-7, 96-8-10
198-8-8, 191-78-8
SM191-78-8



(T)95-8-10



96-8-7



198-8-8



191-78-8



SM198-78-8

FEATURES

- Loudspeaker Enclosures with Greater Cubic Capacity Provide Improved Loading to Enhance High-Quality Sound Systems
- Generous Acoustic Fiberglass Lining Improves Low Frequency Response to Achieve Fuller, Richer Bass
- Choice of Square, Round, Recessed, and Surface Mounting Models Meet Professional Sound Installation Requirements

APPLICATIONS

Enclosures with greater cubic capacity extend bass response by allowing additional acoustic loading for cost-effective application wherever enhanced audio quality of music and voice reproduction is desired. Recessed and surface-mount models offer superior quality with installation flexibility for professional sound system use in establishments of all kinds including lounges, restaurants, transportation centers, professional offices, meeting rooms, retail and recreation areas. Standard depth enclosures are also available. Refer to SL3-1447, SL3-1448, SL3-1482, and SL3-1483.

GENERAL DESCRIPTION

Atlas Sound extra-depth enclosures with acoustic fiberglass lining extend quality and enhance performance of 8" dia. commercial and professional loudspeakers. The increased volume of these enclosures extends the low frequency response by improving acoustic loading. Backbox inner surfaces are undercoated to prevent metallic resonance in the higher end of the frequency spectrum and lined with 1/2" (38 mm) thick high density fiberglass (1 1/2 lbs. per cu. ft.). All round and square units are designed for recessed mounting with the exception of surface Model SM191-78-8. Industry standard 95 Series enclosures are offered in screw-mount and torsion spring (T) versions. Series 96 features internal mounting holes on the flange for installation convenience in acoustic tile ceilings. Model 191-78-8 includes adjustable mounting bracket for installation flexibility in a variety of ceiling types and depths. All enclosures are constructed of heavy-gauge CRS and include four conveniently located combination conduit knock-outs to facilitate installation. Recessed models are finished in rust-preventive, textured black coating. Surface model is finished in textured white.

ENCLOSURE SPECIFICATIONS

MODEL	DIMENSIONS	STYLE	CU. FT.
(T)95-8-7	7" x 11 1/4" Dia. (178 x 298mm)	Recessed	.306 ft. ³
(T)95-8-10	10" x 11 1/4" Dia. (254 x 298mm)		.438 ft. ³
96-8-7	7" x 11 1/2" Dia. (178 x 302mm)		.449 ft. ³
96-8-10	10" x 11 1/2" Dia. (254 x 302mm)		.641 ft. ³
(T)198-8-8	8" x 10 5/8" Sq. (203 x 270mm)		.492 ft. ³
191-78-8	8" x 11 1/16" Sq. (203 x 297mm)		.632 ft. ³
SM191-78-8	8" x 12 3/4" Sq. (203 x 324mm)	Surface	.753 ft. ³

MODEL	MOUNTS BAFFLES
T95-8-7, T95-8-10	(T)51-8, (T)60-8(W), (T)61-8(W), (T)62-8, 63-8, 67-8(W), 68-8(W), 170-8, G22-8, T610-8(W), T710-8, T720-8A, (T)M222(W), P900, VP60-R
95-8-7 / 95-8-10	51-8, 60-8(W), 61-8(W), 62-8, 63-8, 67-8(W), 68-8(W), 170-8, G22-8, M222(W), P900, VP60-R
96-8-7 / 96-8-10	51-8, 60-8(W), 61-8(W), 62-8, 63-8, 67-8(W), 68-8(W), 170-8, G22-8, M222(W), P900, VP60-R
198-8-8	160-8SWA, 161-8, P912
191-78, SM191-78	19-8, 164-8

Specifications subject to change without notice

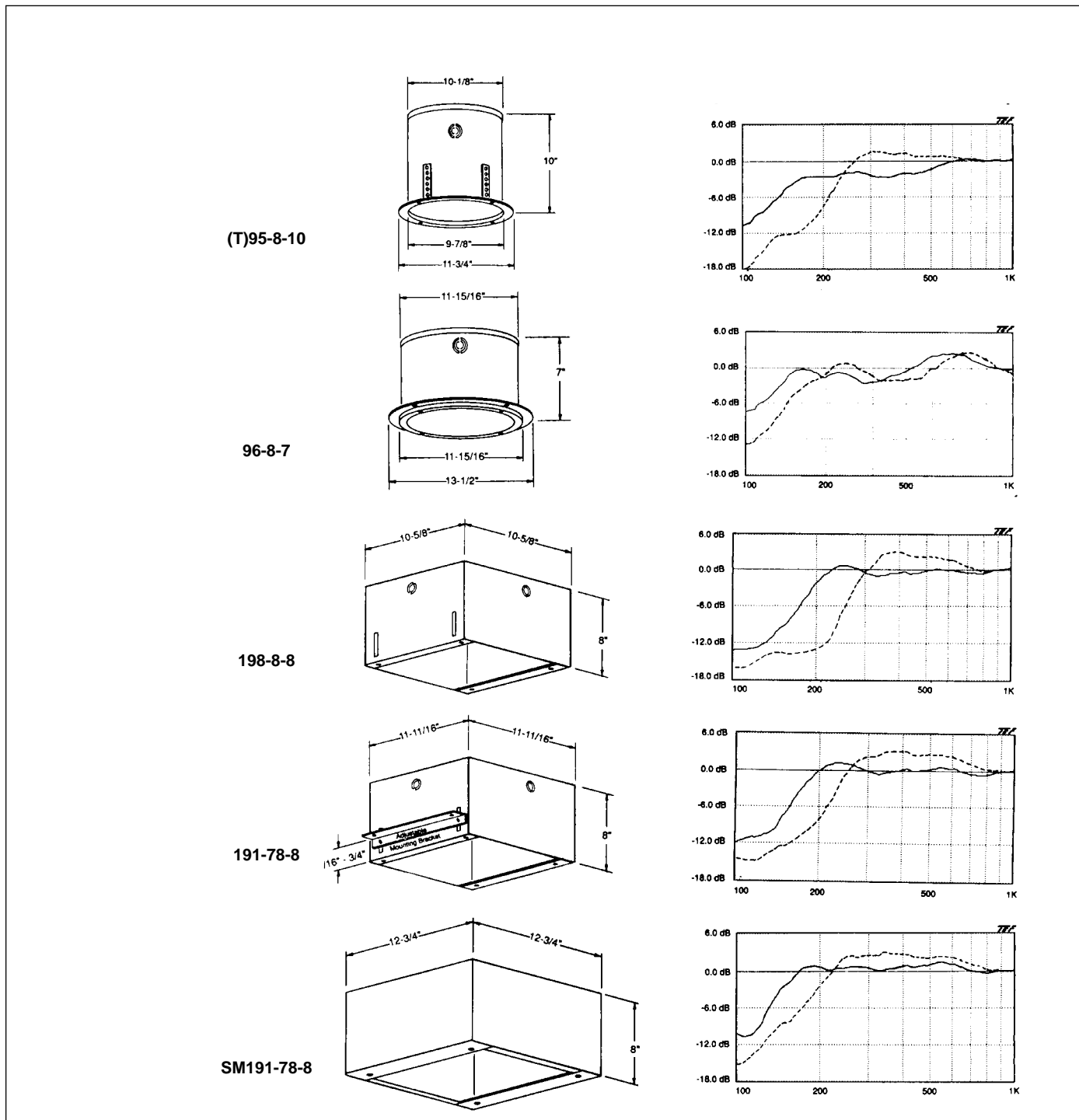


1601 JACK MCKAY BLVD. / ENNIS, TEXAS 75119 U.S.A. / TELEPHONE: (800) 876-3333 / FAX (800) 765-3435

ARCHITECT AND ENGINEER SPECIFICATIONS

The metal protective enclosure shall be Atlas Sound Model _____ [(T)95-8-7, (T)95-8-10, 96-8-7, 96-8-10, 198-8-8, 191-78-8, SM191-78-8]. The enclosure shall be constructed of heavy-gauge cold rolled steel with interior undercoating and 1½" (38mm) thick high density fiberglass (1½ lbs. per cu. ft.). The unit shall be _____ (round or square) and designed for

_____ (recessed or surface) installations which will be accomplished via _____ (standard screw, torsion spring, flange mount, welded clip) mounting. Recessed models shall have a rust-preventive, textured black coating and the surface-mount unit finished in textured white. All enclosures shall include four triple compound conduit knockouts.



Specifications subject to change without notice



1601 JACK MCKAY BLVD. / ENNIS, TEXAS 75119 U.S.A. / TELEPHONE: (800) 876-3333 / FAX (800) 765-3435