



JBL AE Series Loudspeaker shown

Steerables®

Loudspeaker Suspension & Aiming System

The Steerables® SAS-100-WM suspends and aims loudspeakers from walls and other vertical structures.

Loudspeaker cabinets equipped with suspension or mounting points can be suspended and aimed with unprecedented ease and precision. Pan and tilt adjustments can be made or remade within seconds.

Ideal applications include permanently installed loudspeakers in churches, schools, gymnasiums, auditoriums, theme parks nightclubs, bars and restaurants.

The Steerables® unique Cross-Arm steering mechanism provides up to 360 degrees of pan control while tilting is achieved either through the addition of a standard Allen Products U-Series bracket or Steerables® Tilt Cable Kit (see respective data sheets for more details).

This all structural steel alloy assembly is coated with a baked-on black textured powder coat finish. It comes in just two ready-to-mount sections and will support loads of up to 100 lbs./45.5 Kg. with testing to over ten times its normal working load.

STANDARD FEATURES:

- Suspends riggable loudspeakers from walls and other vertical surfaces
- Unique cross arm steering mechanism offers 360° of pan control
- Significant reductions in installation and planning time
- Accommodates standard Allen Products U-Series brackets and Steerables® Tilt Cable Kits
- Minimal mounting surface area required

SPECIFICATIONS:

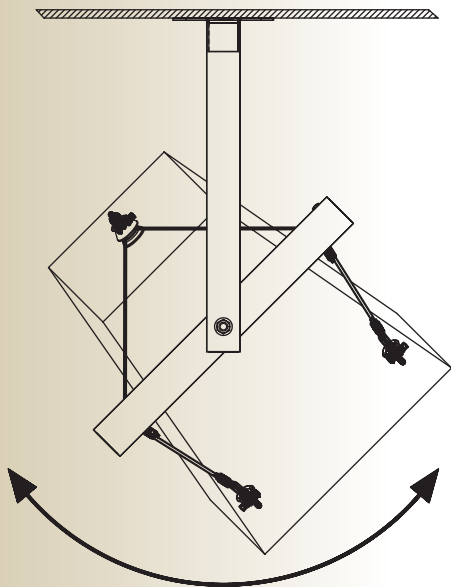
Material:	Structural steel alloy tube and plate
Finish:	Powder coat
Colors:	Textured black and off-white
Pan rotation:	360° horizontal swivel max.
Working load limit:	100 lbs./45 kg.
Design factor:	10:1 ratio based on ultimate yield point
Net weight:	14.5 lbs./6.6 Kg.
Shipping weight:	17 lbs./7.7 Kg.
Pack count:	1/carton

PACKAGE CONTENTS:

- 1 pc. Suspension arm
- 1 pc. Cross Arm
- 1 pc. Hardware kit

*Hardware for mounting to the wall structure is not included.
Steerables® tilting mechanisms are available separately.*

Horizontal Steering



Top View



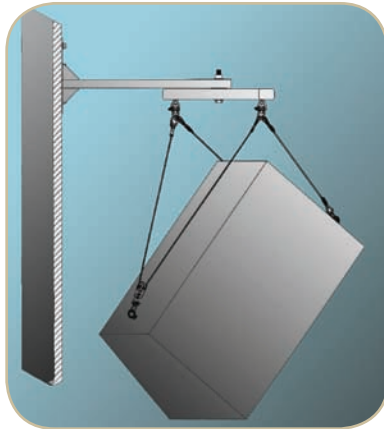
A division of:
ADAPTIVE TECHNOLOGIES GROUP
1635 E. Burnett Street
Signal Hill, CA 90755 USA
PH: 562.424.1100 FX: 562.424.3520

www.allenproducts.com

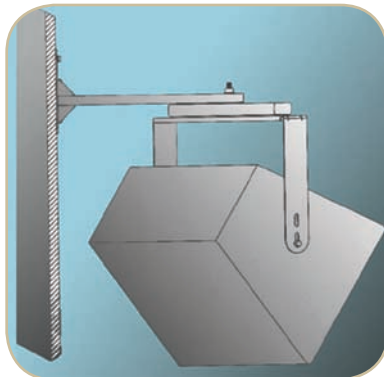
Steerables®

Loudspeaker Suspension & Aiming System

TILTING OPTIONS



Adjustable Tilt Cable Option

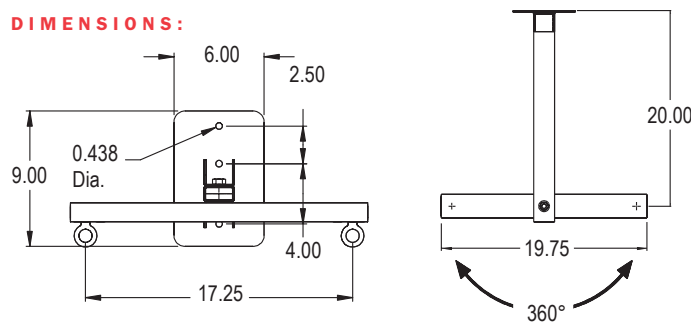


U-Series Tilting Option

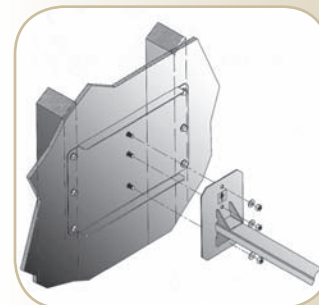
OPTIONAL ACCESSORIES:

- Snap-On cover plate
- Safety cables
- Stud adapter plate

DIMENSIONS:



OPTIONAL STUD ADAPTER:



VERTICAL TILT CONTROL STEERABLES® CABLE KIT SYSTEMS:

While the SAS-100-WM wall-mounting arm provides 360° horizontal control, the Steerables® Tilt Cable Kit provides a secure, lockable and infinite adjusting tilt mechanism. The Tilt Cable Kit is available in five (5) standard sizes and custom sizes can be made to order, as well.

- TCK-008 8.25" / 209 mm Fixed Cable length
- TCK-010 10.0" / 254 mm Fixed Cable length
- TCK-014 14.0" / 356 mm Fixed Cable length
- TCK-018 18.0" / 457 mm Fixed Cable length
- TCK-022 22.0" / 559 mm Fixed Cable length

See Steerables® Tilt Cable Kit data sheet for more detailed information.

VERTICAL TILT CONTROL USING AN ALLEN U-SERIES BRACKET ASSEMBLY:

Many U-Series brackets mount directly to the SAS-100-WM cross arm. Ideal for cabinets that offer mounting points and where both pan and tilt rotations are required.

U-Bracket models that adapt to SAS-100-WM:

2-0900	2-0980	2-1050	2-1100	2-1200	2-1300	2-1350
2-0950	2-1000	2-1060	2-1150	2-1230	2-1320	

See U-Bracket and Snap-On Cover Plate data sheets for more detailed information.

WALL STUD ADAPTER PLATE:

To bridge between two structural studs, the Wall Stud Adapter Plate offers a more solid and secure surface attachment for mounting to walls. The Stud Adapter Plate bridges standard 16" construction stud spacing.

MODEL NO.:

WP-16 For adapting to a wall structure using 16" stud centers



A division of:
ADAPTIVE TECHNOLOGIES GROUP
 1635 E. Burnett Street
 Signal Hill, CA 90755 USA
 PH: 562.424.1100 FX: 562.424.3520

www.allenproducts.com

WARNING: Mounting and/or suspension of audio and video equipment requires experienced professionals. Improperly installed equipment can result in property damage, personal injury and/or liability to the installing contractor.



ALWAYS USE SAFETY CABLES.