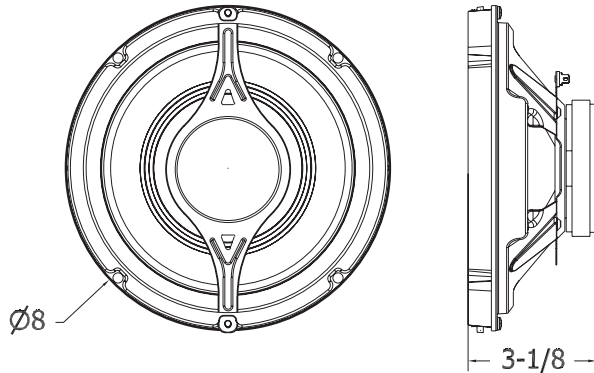


#### 0201 - LOUDSPEAKER, INDIVIDUAL, COAXIAL



#### GENERAL DESCRIPTION

The Quam 8C10FECO is an 8" frame, 8 Ohm loudspeaker with foam surround and coaxial mount piezoelectric ceramic HF. Finish: Black baked epoxy hybrid.

#### INTENDED USE

Wide frequency response replacement loudspeaker or combined with recommended Quam components to form a complete loudspeaker system; indoor environment.

Program Material: Signal tones, voice and music

#### SYSTEM COMPONENTS

N/A

#### RECOMMENDED ADDITIONAL QUAM COMPONENTS

Refer to Section 0104.6 - Customer Specified Assembly or individual components listed below:

0502 - Transformers

0301 - Baffles, Round

OR

0302 - Baffles, Square

0401.1 - Flush Mounted Back Boxes, Round

OR

0401.2 - Flush Mounted Back Boxes, Square

0402 - Loudspeaker Mounting Devices

#### AUDIO SPECIFICATIONS

Speaker Size	8" Frame
Average Sensitivity	97 dB SPL, 1W / 1M
Power Rating	20W RMS, EIA 426A Standard
Calculated Output	110 dB SPL, 20W / 1M
Frequency Response	40 Hz - 20 kHz EIA 426A Standard
Nominal Coverage Angle	90° Included Angle, -6 dB / 2 kHz, Half Space
Mounting	4x 1/4" Holes Spaced 90° Apart On 7-5/8" Circle
Audio Connection	.205" Spade Lug

Recommended construction sequences, installation instructions and A&E Specifications are available in various formats on the Quam Architects' and Engineers' Resources CD or on the web at [www.quamspeakers.com](http://www.quamspeakers.com)

#### Quam-Nichols Company

234 East Marquette Road, Chicago, IL 60637

Phone (800) NEED NOW Fax (888) NEED NOW

(800) 633-3669

(888) 633-3669

E-Mail: [neednow@qnc.com](mailto:neednow@qnc.com)

[www.quamspeakers.com](http://www.quamspeakers.com)

