



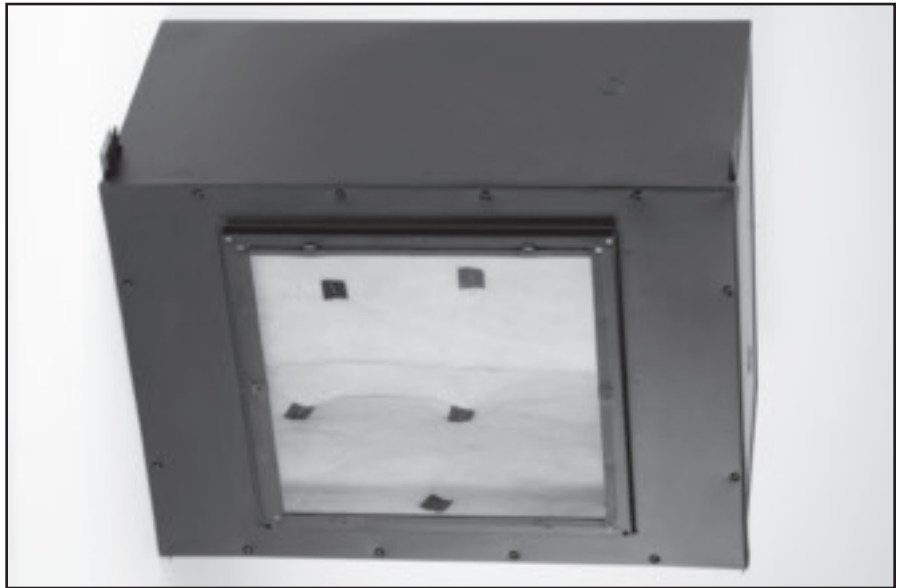
# MTC-300BB12

3 Cubic Foot Backbox  
for Control 300 Series  
12" Drivers

## Professional Series

### Key Features:

- ▶ Extra-thick 16 gauge metal construction.
- ▶ Lined with 12 mm (½ inch) thick MDF to eliminate resonances and to provide extra bass response.
- ▶ Knockouts on top and all four sides.
- ▶ Dual mounting system for baffle.

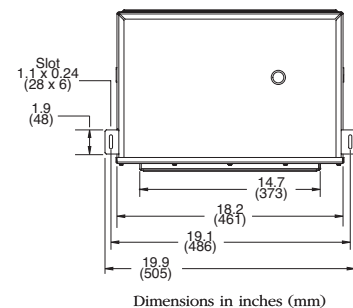
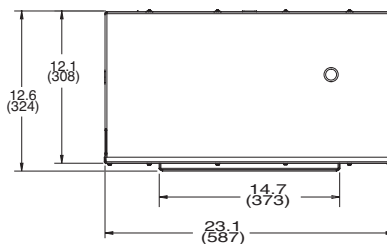
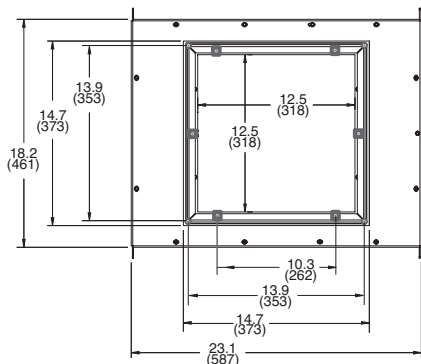


### Specifications:

External Volume:	3 cu ft, nominal
Internal Volume:	2.4 cu ft.
Knockouts:	22.1 mm (0.87 in) diameter opening
Five (5) locations:	1 on top panel 1 on each side and end panel
Dimensions (Height):	308 mm (12.1 in) above ceiling 324 mm (12.6 in) total height
(Width):	587 mm (23.1 in)
(Depth):	461 mm (18.2 in) cabinet 505 mm (19.9 in) including side tabs
Net Weight:	20.6 kg (45.5 lbs)
Shipping Weight:	23.1 kg (51 lbs)
Included Accessories:	4 pcs M4 x 14 mm machine screws for one system of mounting baffle to backbox. 6 pcs #10 x 0.75 inch metal screws for another system of mounting baffle to backbox. 4 pcs M4 nuts for optional transformer mounting

JBL continually engages in research related to product improvement. Changes introduced into existing products without notice are an expression of that philosophy.

### Dimensions:



## ► MTC-300BB12 Backbox

### Loudspeaker/Baffle Assembly

MTC-300BB12 is compatible with two common mounting systems for installing the loudspeaker/baffle to the backbox. **Either** of these mounting systems may be utilized.

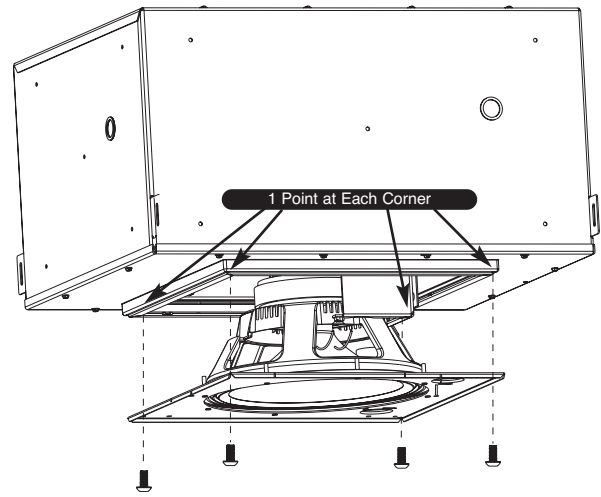
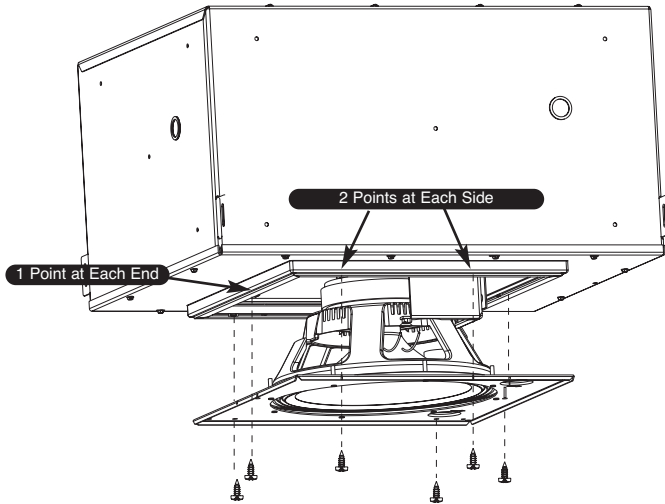
#### Mounting Option #1

Using 6 pcs #10 Sheet Metal Screws



#### Mounting Option #2

Using 4 pcs 4 mm Machine Bolts



6 pcs #10 x 0.75 inch  
Sheet Metal Screws

Use with Backbox's 6 Speed Nuts (also called  
Clip Nuts or Tinnerman Nuts), shown above.



4 pcs 4 mm x 14 mm  
Threaded Machine Bolts

Use with Backbox's 4 Threaded Insert Points,  
shown above.

### Mounting Location for Optional Transformer

A mounting platform for an optional high-power 70V/100V transformer is provided inside the backbox, on one of the side walls. The four mounting studs are "M4 x 12 mm" and are spaced at 2.8 x 2.7 in (70 x 67 mm).



JBL Professional  
8500 Balboa Boulevard, P.O. Box 2200  
Northridge, California 91329 U.S.A.

**H** A Harman International Company  
© Copyright 2005 JBL Professional

SS MTC300BB12  
CRP 5M  
11/05