
DM-1200/DM-1300US DYNAMIC, UNIDIRECTIONAL MICROPHONES PM-222U PAGING MICROPHONE



DESCRIPTION

Three new dynamic, unidirectional microphones from TOA reduce acoustic feedback in lecture, speech and vocal usages.

The DM-1200 and DM-1300US are designed for both hand held and stand mounting usages. Both the DM-1200 and DM-1300US are equipped with a short slide on/off switch to reduce switching noise and have XLR type 3-pin male connectors as well. The DM-1200 is outfitted with a XLR-to-1/4" cable and universal stand adapter. The DM-1300US has a U.S.-style stand adapter.

The PM-222U is a noise-cancelling paging microphone designed for hand held applications with a push-to-talk switch that locks on for continued use. It has a pig-tail cord with external control contacts and conductors as well as a mounting sleeve for wall mount storage.

All three new microphones are of rugged construction to take the rigors of many different sound applications.

FEATURES

DM-1200

- ◆ XLR-to-1/4" 10m shielded cable
- ◆ universal stand adapter
- ◆ short-off type slide on/off switch
- ◆ diecast zinc body

DM-1300US

- ◆ XLR type 3 pin male connector
- ◆ U.S. style stand adapter
- ◆ short-off type slide on/off switch
- ◆ diecast zinc body

PM-222U

- ◆ pig-tail cord with external control contacts and conductors
- ◆ lock-on push-to-talk switch for continuous use
- ◆ mounting sleeve included for wall mount storage

SPECIFICATIONS

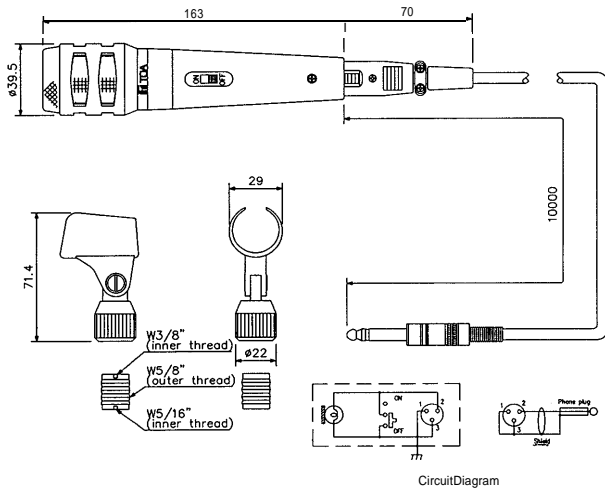
Model Number DM-1200

Type	Moving coil microphone (dynamic)
Directivity	Unidirectional
Rated Impedance	600 Ω, balanced
Rated Sensitivity (1 kHz 0dB=1 V/Pa)	-55dB
Frequency Response	50 Hz-12kHz
Connection Cable	1-core shielded cable, unbalanced
Cable Length	10m
Cable Connector	1/4" unbalanced phone plug
Finish	Body: Diecast zinc, painted metallic gray Head: Diecast aluminum, zinc plated steel wire Color: Metallic gray
Weight	10.44 oz.
Dimensions (DxL)	1.55" x 6.54"
Talk Switch	Short-off type, slide on/off switch
Standard accessory	Microphone holder

Specifications are subject to change without notice

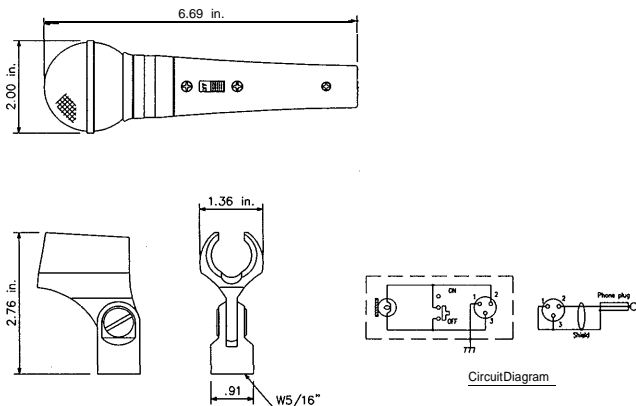
APPEARANCE AND DIMENSIONAL DIAGRAM

DM-1200



APPEARANCE AND DIMENSIONAL DIAGRAM

DM1300US



Model Number DM1300US

Type	Moving coil microphone (dynamic)
Directivity	Unidirectional
Rated Impedance	600 Ω, balanced
Rated Sensitivity (1 kHz 0dB=1 V/Pa)	-54dB
Frequency Response	70 Hz-15kHz
Finish	Body: Diecast zinc, painted metallic gray Head: Diecast aluminum, zinc plated steel wire Color: Metallic gray
Weight	9.65 oz.
Dimensions(DxL)	2.4" x 6.69"
Talk Switch	Short-off type, slide on/off switch
Standard accessory	Microphone holder

**Specifications are subject to change without notice

Model Number PM-222U

Type	Moving coil microphone
Directivity	Noise Cancelling
Rated Impedance	600 Ω, balanced
Rated Sensitivity (1 kHz 0dB=1 V/Pa)	-47dB
Frequency Response	100 Hz-10kHz
Cable	2-core shielded cable, plus 2-core cable
Cable Length	6.5" when extended
Cable Connector	None
Finish	ABS Resin gray
Weight	7.0 oz.
Dimensions(WxLxD)	1.73"x 6.3"x 1.49"
Talk Switch	Short-off type with lock
Standard accessory	Microphone holder, metal fitting, 2 tapping screws 4x16

**Specifications are subject to change without notice

APPEARANCE AND DIMENSIONAL DIAGRAM

PM-222U

