



UL LISTED 15-WATT FLANGE-MOUNTING VOICE CONTROL LOUDSPEAKERS

APF-15TU
APF-15TUC

TWO



APF-15TU Series

SPECIFICATIONS (UL RATING)

Models: APF-15TU, APF-15TUC
Power Rating: 15 Watts continuous
Frequency Response: 400 Hz-4 kHz
Sensitivity: 102dB at 15 watts, 10 ft.
 (3dB increment UL Rating increment)

SPECIFICATIONS (ANECHOIC MEASUREMENTS)

Frequency Response: 600-14,000 Hz (nominal)
 700-5,500 Hz (± 5dB)
Sensitivity: 120dB at 15 watts (peak)
 114dB at 15 watts / 1 Meter (avg) 700-5,500Hz
 104dB 1 Watt / 1 Meter (avg) 700-5,500Hz
Dispersion Angle: 95° (-6dB, 2000Hz octave band)
Weight: APF-15TU = 2.5 lbs (1.1kgs)
 APF-15TUC = 2.75 lbs. (1.2kgs)
Finish: Grey baked epoxy

ARCHITECT AND ENGINEER SPECIFICATIONS

Loudspeaker shall be Atlas Sound Model _____ (APF-15TU, APF-15TUC) or approved equal. Unit shall be double re-entrant type with compression driver mounted within waterproof housing. Audio power capability shall be 15 watts full range and shall be able to operate within an ambient temperature environment ranging from 66° C (150° F) to -35° C (-30° F). The unit shall meet UL frequency range requirements of 400 Hz - 4 kHz and shall have a sound pressure level of 102dB at 15 watts, 10 ft. (3dB increment UL Rating). Voice coil impedance shall be 8 ohms with sound dispersion angle of 95°. Unit shall have impedance selection via 7-position switch of 5000, 2500, 1300, 666, 333, 89 and 45 ohms. Power taps shall be available at 1, 2, 3.8, 7.5, 15 watts for 70V line and .48, .94, 1.8, 7.5, 15 watts for 25V line. Provision for flange or recessed mounting shall be by means of eight, 3/16" evenly spaced holes on 6-1/8" dia. circle. Mounting kit Model MK-2 or FAMT-6 (not furnished) shall be used to mount loudspeaker to 8" dia. baffles. A cork-rubber gasket which provides a weather-tight seal between speaker flange and mounting surface shall be provided. Wiring terminals for amplifier output shall be fully enclosed and vandal-resistant adapter cover shall provide connection facilities for cable or conduit. Dimensions: 5-5/8" diameter x 5 5/8" deep with 6 5/8" diameter flange (143 x 132 x 177mm).

FEATURES

- UL Listed For Fire Protective Signalling Systems
- 15-Watt High-Efficiency Compression Driver
- Recommended for High-Intelligibility Paging, Intercommunication, and Signaling
- Built-In Vari-Tap® Transformer for Easy Impedance Selection
- Compatible with Round or Square Decorative Baffles
- Flange and Recessed Mounting Provisions for Use on Interior/Exterior Walls and Ceilings
- All Metal, Vandal and Environment-Resistant Construction for Indoor/Outdoor Use

APPLICATIONS

Communicate voice and electronic signals clearly in industrial, commercial, recreational, transportation and service facilities with Atlas Sound's UL-Listed APF Series loudspeakers. These environment-resistant units are engineered to meet life safety and general communication requirements and are ideal for indoor or outdoor applications where high-intelligibility paging or intercommunication are necessary.

GENERAL DESCRIPTION

APF Series voice control loudspeakers are equipped with a compression driver to provide up to 15 watts of continuous power handling, superior intelligibility and audio conversion efficiency for maximum sound projection and penetration.

APF Series loudspeakers may be flush mounted or recessed directly into interior/exterior walls or ceilings. Recessed installation may be accomplished by mounting loudspeakers into a 5/8" deep opening or recessed enclosure. Units will facilitate Atlas Sound L20 Series grilles, enclosures and mounting rings (refer to SL2-1372). Accessory mounting kits Model MK-2 or FAMT-6 can be used to mount loudspeakers into 8" diameter baffles.

Models include a built-in 25/70.7V Vari-Tap transformer featuring a screw-driver adjustable, 7-position watt/impedance selection switch. Magnet assembly is equipped with self-aligning field replaceable diaphragm. Wiring terminals are protected with a vandal-resistant adapter cover for control equipment utilizing cable or conduit.

A built-in, 5 mfd capacitor is provided on Model APF-15TUC for line supervision. Model APF-15TU is not equipped with a capacitor. All units are finished in grey baked epoxy.

All models meet or exceed UL Standard 1480 for Fire Protective Loudspeakers and are capable of operating within an ambient temp. range of 66°C (150°F) to -35°C (-30°F). The all-metal, environment-resistant construction and re-entrant acoustic path assure protection against water, humidity, vermin, physical abuse and corrosion. Models are also California State Fire Marshal Listed. Models with special modifications to meet other safety authorities are available. Contact factory.



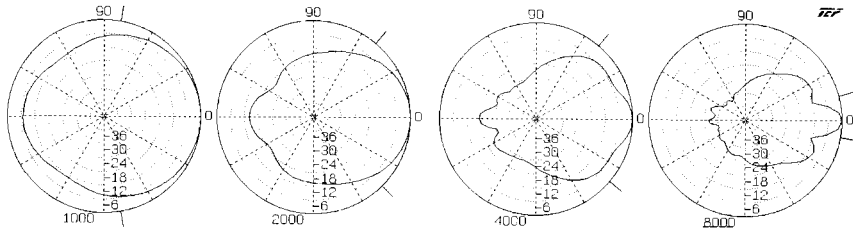
ACCESSORY

BX-3A Vandal Resistant Cover Plate for Armored Cable and Conduit Connection. Constructed of Cast Aluminum.

Specifications subject to change without notice

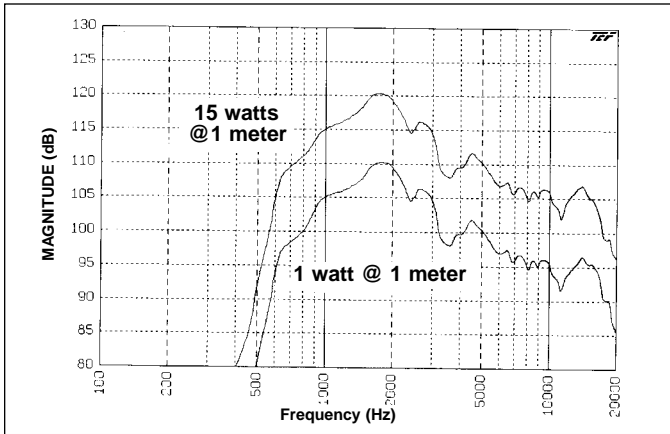


1601 JACK MCKAY BLVD. / ENNIS, TEXAS 75119 U.S.A. / TELEPHONE: (800) 876-3333 / FAX (800) 765-3435

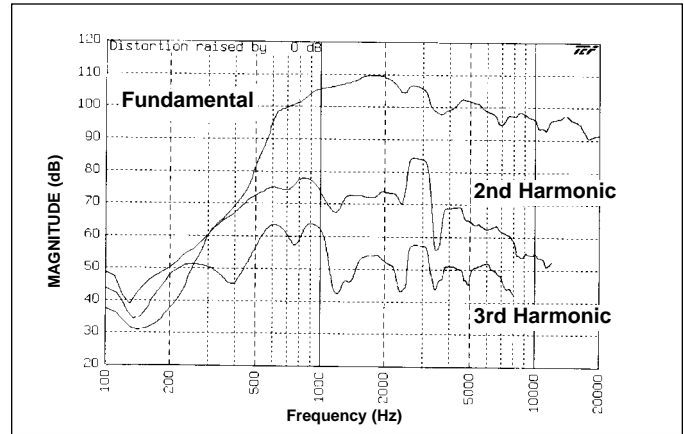


Polars Are Normalized To Zero On Axis

Frequency (Hz)	Lp	Q	Di	Beamwidth (Degrees)
1000	94.73	3.37	5.27	160
2000	91.37	7.30	8.63	95
4000	89.23	11.95	10.77	90
8000	83.54	44.29	16.46	25



APF-15TU(C) Frequency Response

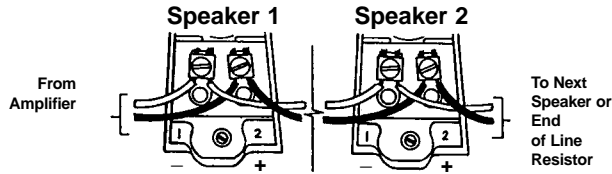


APF-15TU(C) (Harmonic Distortion - 1.5 watts @ 1 meter)

INSTALLATION

WIRING DIAGRAM

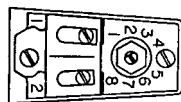
To conform with UL requirements, wires must be connected as shown in wiring diagram.



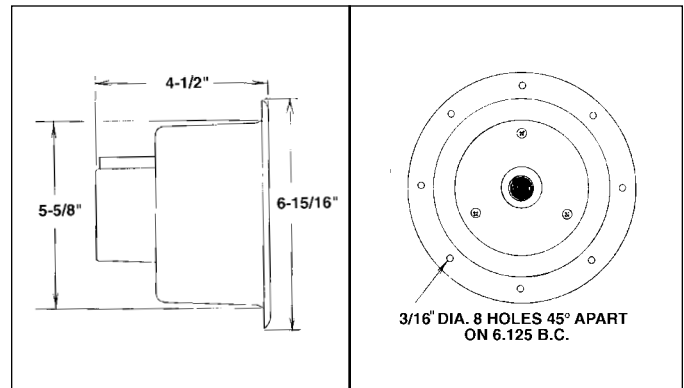
CAUTION:

- DO NOT LOOP WIRES UNDER SCREW TERMINALS. BREAK WIRE RUN TO PROVIDE SUPERVISION OF CONNECTIONS
- MAXIMUM WIRE SIZE IS 18-GA.

CONNECTION: Amplifier output line connection is made to the screw terminals which are designed with wire retainers for insured reliability. Input terminals are numbered (#1 and #2) to maintain system phasing. (#2 is the positive terminal). The wide and narrow slots adjacent to #1 and #2 are used for cable strain relief.



Vari-Tap® Selector Switch



APF-15TU(C) Vari-Tap® Control Connect Center Xfmr. Power Taps

Switch Position	Impedance (Ohms)	Watts @ 25V	*dB 10 ft.	Watts @ 70.7V	*dB 10 ft.
1	5,000	—	—	1	93
2	2,500	—	—	2	96
3	1,300	.48	90	.38	96
4	666	.94	90	7.5	99
5	333	1.8	93	15	102
6	89	7.5	99	X**	X**
7	45	15	102	X**	X**

* UL 3dB Increment Rating

** Do Not Use

Atlas Sound products are designed and tested in our well-equipped research laboratory which contains a fully anechoic chamber, complete analog Briel & Kjaer measurement equipment and Techron® TEF 20® audio analyzer. Atlas Sound is proud to be a beta site for TEF software.

Specifications subject to change without notice



1601 JACK MCKAY BLVD. / ENNIS, TEXAS 75119 U.S.A. / TELEPHONE: (800) 876-3333 / FAX (800) 765-3435