



PROJECTOR CEILING MOUNTS

UNIVERSAL SOLUTION

RPA-U™ INVERTED UNIVERSAL PROJECTOR MOUNT

A universal, low-profile mounting solution with custom features. It's perfect for stocking dealers or unplanned installations where the projector type is unknown.



Universally Supports Most Inverted Projectors

Universal Bracket (SLB-U)

Ships complete with a universal bracket to fit most inverted projectors on the market.

Independent Roll, Pitch and Yaw

For quick and precise image registration.

Available in Black, White and Silver!



RPA-UW



RPA-US

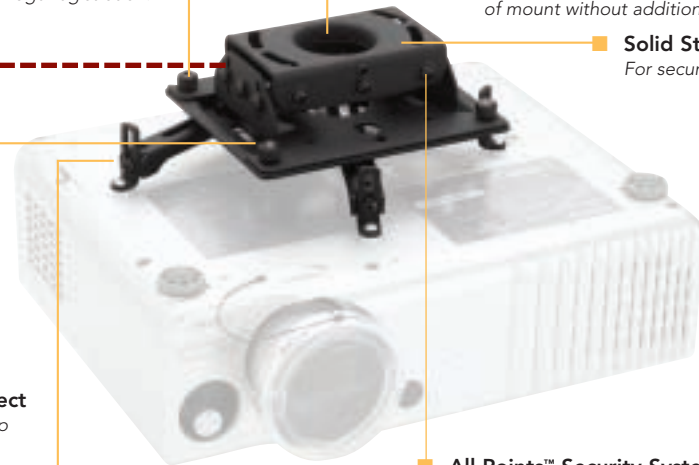
Includes everything you need for a quick installation. No assembly required!

Integrated Cable Management

Allows routing of cables through top of mount without additional accessories.

Solid Steel Design

For secure mounting.



Quick Projector Connect/Disconnect

With convenient lamp and filter access.

- Always maintains registration
- Disconnecting doesn't affect pre-set adjustments

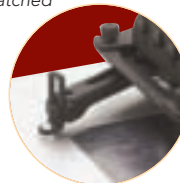
Easy Projector Maintenance

- Easily replace filter or bulb
- Allows proper ventilation
- Adjust the contour of the mount for the lowest profile possible!

PRODUCT FEATURE:

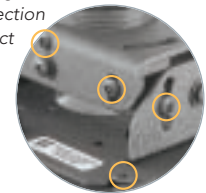
Adjustable mounting legs and feet

- Easy to install
- Adjusts horizontally and vertically for unmatched flexibility!
- Vertically height-adjustable, even after installation



All-Points™ Security System

Exclusive locking hardware at all key connection points to protect against theft.



Compatible with many accessories for all your installation needs.

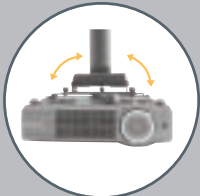


Make ceiling installation quick and easy with the CMA-100™ Ceiling Plate with Attached Adjustable Length Column!

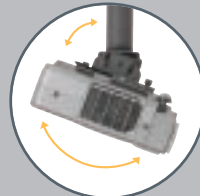
- Includes everything but the mounting hardware to mount your projector from the ceiling!
- A universal solution for most structural ceiling installations
- Allows you to quickly achieve the correct drop distance
- 1-1/2" NPT threaded column attaches to Chief accessories

POPULAR PRODUCT

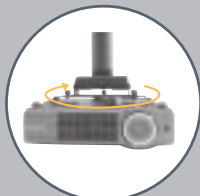
FEATURING



ROLL ADJUSTMENT: +/-4°



PITCH ADJUSTMENT: +/-25°



YAW ADJUSTMENT: 360°

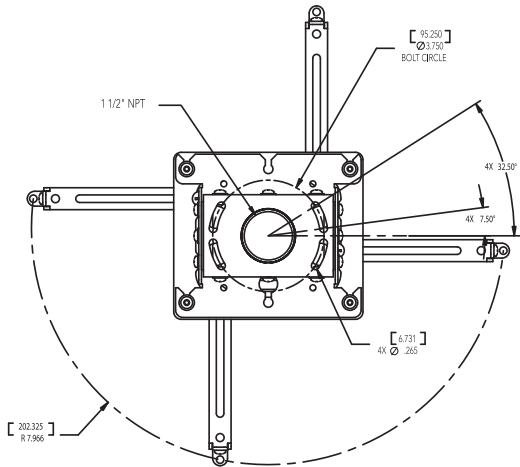
MOUNTING OPTIONS

1. Flush mount to ceilings using the four corner slots in the top of the mount. Suitable access is provided to allow flush mounting without disassembly.
2. 1/4" Threaded Rod using the four corner slots in the top of the mount.
3. 1-1/2" NPT Threaded Extension Column using the threaded opening at the top of the mount.

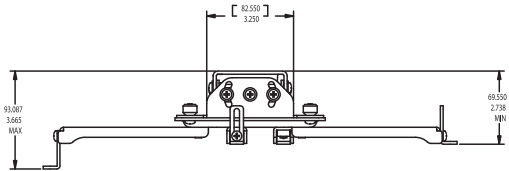
Note: Threaded Extension Column and Threaded Rod not included.

SPECIFICATIONS

Model:	RPA-U
Roll	+/-4°
Pitch	+/-25°
Yaw	360°
Dimensions WxHxD	6-1/4"x2-1/2"x5-1/2" (159 x 64 x 140 mm)
Color	Black, Silver or White
Weight Capacity	50 lbs (22.7 kg)



Top View



Front View