



Description

Lowell RPC-3N1 remote power control may be combined with a variety of switches, modules, and/or sequential control devices (manufactured by Lowell or others) to provide a versatile low-voltage method of turning specific equipment on and off from a remote location. The ability to safely control AC power distribution without directly accessing equipment minimizes the potential for accidental or unauthorized system modifications, adjustments, or vandalism. System integration applications include commercial, educational, entertainment, government, and religious facilities where remote power control is required.

Model RPC-3N1 is a 15-amp control unit with circuit breaker, power supply, relay, three individually controlled duplex receptacles, one "always hot" duplex receptacle, barrier strip connections, and a 24vdc output for powering remote indicators. Activation of the three individually controlled duplex outlets is accomplished via contact closures between the common terminal and the numbered control terminals.

The control is typically installed in close proximity to the equipment that is to be remotely switched; either in the rear of an equipment cabinet or mounted to the back of a conventional 2RU rack panel. The steel chassis is finished in black epoxy paint. Size is 16"L x 3"W x 2.5" D. The unit includes a 6-foot cordset and NEMA 5-15 molded plug.

Typical wiring diagrams for a remote power control system using Model RPC-3N1 are shown on page 2.

A & E Specifications

Device for remotely controlling AC power shall be Lowell remote power control Model RPC-3N1. Device shall include a power supply and relay housed within a 16"L x 3"W x 2.5"H steel chassis. Model shall include 4 duplex outlets (3 switched, and 1 unswitched) with a power rating of 15A. Power control device shall terminate with a 6 foot cord. Device shall include overcurrent protection for 15A.

Single Switch Applications:

Remote switching device for single switch applications shall be Lowell wall switch Model _____ (RPSW-P with rocker switch, RPSW-KP with keylock switch) or rack panel switch Model _____ (RPSB-R with rocker switch, RPSB-KR with keylock switch).

Multiple Switch Applications:

To remotely control one or more RPC units, Lowell momentary switch module Model MSM and momentary wall switch Model _____ (RPSW-MP with rocker switch, RPSW-MKP with keylock switch) or momentary rack panel switch Model _____ (RPSB-MR with rocker switch, RPSB-MKR with keylock switch) shall be used.

RPC-3N1 Remote Power Control

Model	Power Rating	Outlet Type	Size	Termination	Switch Type	Aux. Power Output	Circuit Breaker
RPC-3N1	15A, 125vac	4 Duplex (3 switched-independent, 1unsw.)	16"L x 3"W x 2.5"H	6 foot cord	Dry contact*	24vdc	15A

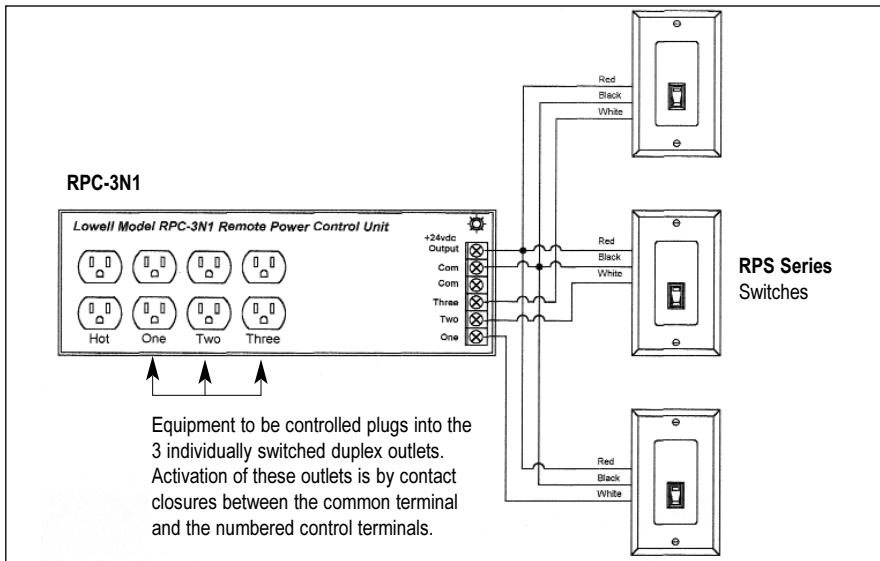
*Minimum rating 30 vdc, 40 mA.



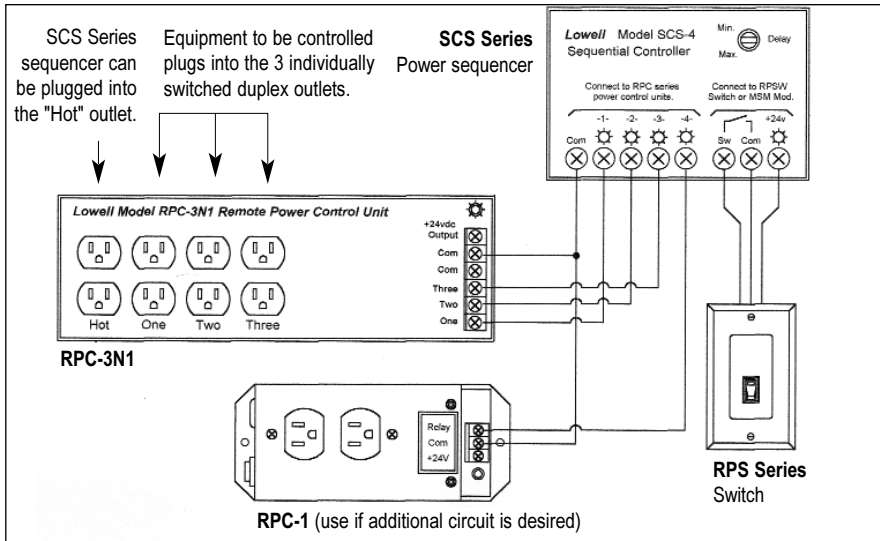
RPC-3N1

Surface Mount Remote Power Control


P
O
W
E
R




Typical wiring for remote switch control of individual duplex outlets.



Typical wiring for remote switch control of sequentially powered duplex outlets.



Momentary Switch Module Model MSM
(Use with momentary-style switches)



Power control sequencers - Series SCS
Choose 1RU rackmount or chassis style for time-delayed power up and down of equipment.

Switches - Series RPSW and RPSB
Choose maintained or momentary-style closure, wall plate or rackmount styling, rocker or key switch activation.

Lowell accessory devices (order separately)

Typical wiring with remote switches

Typical connections are made using low-voltage, 3-conductor cable run from the RPC terminal strip to remotely located switches such as Lowell's wall switch Model RPSB-P or rackmount panel switch Model RPSW-R. Connect the three barrier strip terminals on the RPC unit marked "+24v Out", "Com", and "Switch" to corresponding terminals on the RPSW or RPSB Switch unit. *Note: Single switch applications use switches with a maintained closure. Multiple switch applications use switches with a momentary closure.*

Typical wiring with a sequencer

RPC controls are also a key component in Lowell's SCS Series sequential control systems that provide time delayed activation and power-down of equipment. Typical connections are made using low-voltage, 2-conductor cable run from the RPC terminal strip "Com" and "Switch" connections to corresponding terminals on the sequencer. "Com" terminals may be tied together on one conductor. *Note the "+24v Out" connection on the RPC is not used in sequencer applications.*

The switch connections are made from the sequencer's barrier strip terminals marked "24v Out", "Com", and "Switch" to corresponding terminals on the RPSW or RPSB switch unit.

Lowell accessory devices (order separately)

Switches with Maintained Closure (single switch uses)

RPSW-P	SPST lighted rkr 1 gang plate
RPSW-KP	SPST lighted key 1 gang plate
RPSB-R	SPST lighted rkr 19W x 1RU
RPSB-KR	SPST lighted key 19W x 1RU

Switches with Momentary Closure (multiple switch uses)

RPSW-MP	SPST lighted rkr mom 1 gang plate
RPSW-MKP	SPST lighted key mom 1 gang plate
RPSB-MR	SPST lighted rkr mom 19W x 1RU
RPSB-MKR	SPST lighted key mom 19W x 1RU

Momentary Switch Module

MSM	Module for RPC & SCS-4
------------	------------------------

Power Control Sequencers

SCS-4R	4 ch time delay 19W x 1RU
SCS-4	4 ch time delay 7x3.25x1.5
SCS-8R	8 ch time delay 19W x 1RU
SCS-8	8 ch time delay 10x3.25x1.5

AC Rackmount 19" EIA

AC Strips Rackmount Vertical

AC Loadcenters (sequenced)

AC Surge Protection / Filtering

AC Remotely Controlled

Low Voltage Sequencers Accessories

Surface Mount