



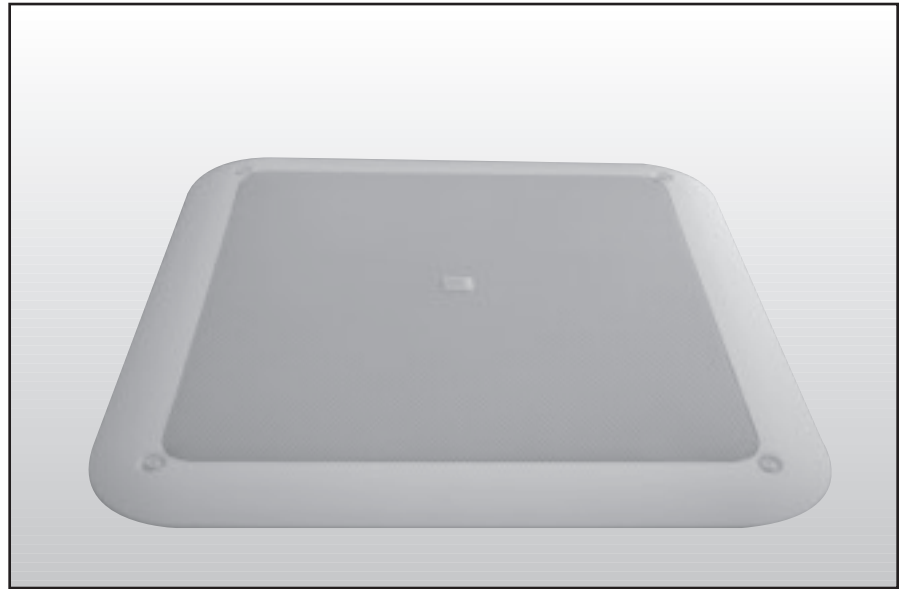
MTC-300SG12

Square Grille for Control 300 Series 12 inch Drivers

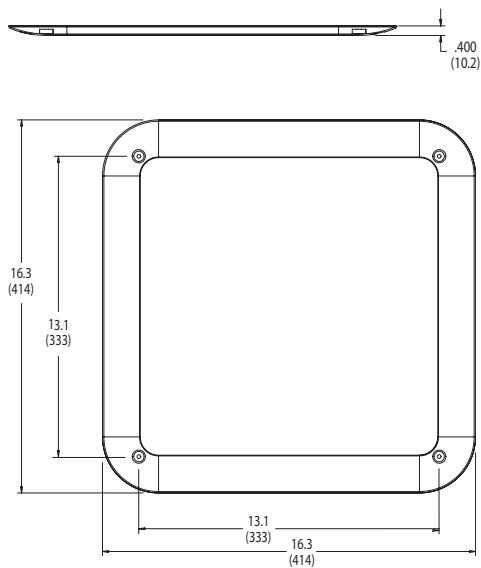
Professional Series

Key Features:

- ▶ Rugged 19 gauge metal construction for enduring reliability.
- ▶ Sculpted design for an elegant appearance and perfect for any decor or architectural setting.
- ▶ Zinc underplating provides a rust and scratch resistant surface for years of maintenance free wear.
- ▶ Powder coat final finish minimizes scratching and can easily be repainted to match any room color.



Dimensions:



Dimensions in inches (mm)

Specifications:

Material:	Zinc plated 19 gauge steel
Finish:	Powder coat, satin finish. RAL 9016 (Pantone equivalent 11-0602TPX).
Grille Attachment to Baffle:	4 pcs 4 mm machine screws in corners.
Dimensions (H x W x D):	414 x 414 mm (16.3 x 16.3 in) square grille x depth from back of baffle of 10.2 mm (0.4 in)
Net Weight:	0.9 kg (2.0 lb)
Shipping Weight:	1.8 kg (4.0 lb)
Included Accessories:	5 pcs 4 mm x 38 mm powder coated machine screws for corners. 5 pcs 4 mm powder coated countersunk washers for corners.

JBL continually engages in research related to product improvement. Changes introduced into existing products without notice are an expression of that philosophy.



JBL Professional
8500 Balboa Boulevard, P.O. Box 2200
Northridge, California 91329 U.S.A.

■ A Harman International Company
© Copyright 2006 JBL Professional

SS MTC300SG12
CRP 5M
05/06