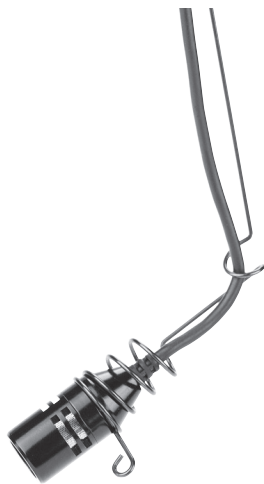


PRODUCT  
**CM12C**

DESCRIPTION  
**HANGING CHOIR MIC**

SERIES  
**INSTALLATION MICS**

CATEGORY  
**CONDENSOR MICS**



**GENERAL DESCRIPTION**

The CM12C is a miniature hanging condenser microphone which can be placed over an orchestra, choir or sound stage, and with its minimal profile, is mostly undetectable from even a slight distance. The CM12C features a permanently charged condenser element with a cardioid pickup pattern. The microphone exhibits excellent rear rejection providing maximum gain before feedback. The CM12C includes a steel hanger that allows the microphone to be pointed, and fixed, towards the position of the sound source. The microphone is supplied with a 30 foot cable terminating in a mini female XLR which connects to the included, PM5 power module with standard male XLR connector. The CM12C operates on standard 9 through 52 Volt phantom power supply. A multi-stage pop filter is also included. The microphone element is protected by a rugged metal housing and the entire microphone has a low reflectance, matte black finish.

**FEATURES**

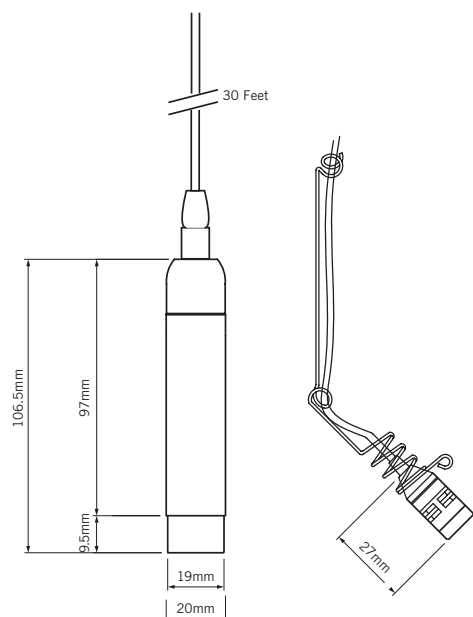
- > Miniature hanging Choir Mic
- > Mini XLR connector
- > Steel Hanging positioning bracket
- > Includes 30-foot cable with mini XLR connector
- > PM5 Mini to standard XLR adapter
- > Multistage windscreen
- > Standard 9 – 52 Volt Phantom Power Operation

**ARCHITECT'S & ENGINEER'S SPECIFICATIONS**

The Samson CM12C shall be a hanging choir microphone. It will be available in black or white. It shall have an included steel hanging positioning bracket. It shall be a cardioid pattern condenser microphone element type and require between 9 and 52 volt phantom powering. The CM12C shall connect via an included 30-foot microphone cable and a mini XLR to XLR connector.

**CM12C SPECIFICATIONS**

<b>Type</b> .....	Fixed-charge condenser
<b>Polar Pattern</b> .....	Cardioid (Uni-directional)
<b>Frequency Response</b> .....	50Hz - 18kHz
<b>Sensitivity</b> .....	-42 dBV/Pa
<b>Rated Impedance</b> .....	200Ω
<b>Max. SPL</b> .....	136 dB
<b>Dynamic Range</b> .....	112 dB
<b>S/N ratio</b> .....	70 dB
<b>Power Supply</b> .....	9~52V phantom supply
<b>Power consumption</b> .....	2.5mA
<b>Dimensions</b> .....	1.06" (L) / 27mm (L)
<b>Weight</b> .....	0.26lbs / 0.12kg



PRODUCT SPECIFICATION SHEET

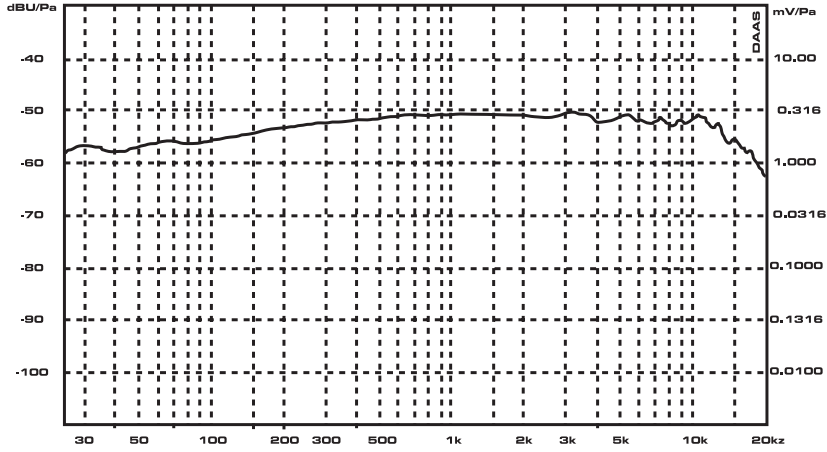
SERIES  
INSTALLATION MICS

DESCRIPTION  
HANGING CHOIR MIC

CATEGORY  
CONDENSOR MICS



CM12C FREQUENCY RESPONSE



CM12C POLAR PATTERN

