



ROUND PROTECTIVE ENCLOSURES FOR 8" LOUDSPEAKERS

(U)96-8 Series



96-8



96-8-7

FEATURES

- Enclosures Mount 15 Standard and 5 UL Listed Grilles
- Available With or Without Conduit Knockouts
- Choice of Standard or Extra-Depth Models
- UL Listed, Plenum Rated

APPLICATIONS

Utilize 96 Series recessed enclosures to fulfill varying installation and application requirements. These models are particularly suited for use in acoustic tile ceilings. An extended plaster flange allows the mounting holes and nuts to be easily accessible and keeps them protected from the plaster and concrete in poured and plaster ceilings. The units accommodate 8" loudspeakers and are available with or without conduit knockouts. Extra depth models are also offered to improve the low frequency performance of 8" commercial and professional loudspeakers.

GENERAL DESCRIPTION

Atlas Sound 96 Series are cost-efficient cylindrical protective enclosures that mount a variety of Atlas Sound grilles. All models are of welded CRS construction, have a painted finish, and are undercoated and patch-jute lined to eliminate mechanical and acoustical resonances.

STANDARD MODEL

96-8. This popular enclosure is manufactured with its mounting holes located on the internal plaster flange to allow easy and convenient installation. Each unit is furnished with four combination 1/2"-3/4" (13-19mm) conduit knockouts and four J-Clips attached to the enclosure for installing screw-mount baffles.

EXTRA DEPTH MODELS

96-8-7 and 96-8-10. These extra depth models provide improved low frequency performance of 8" commercial and professional loudspeakers. Increased volume extends bass response by allowing additional acoustic loading for cost-effective application wherever enhanced audio quality is desired. The extra depth versions have the same features as the standard 96 Series, however, Models 96-8-7 (.449 cu. ft.) and 96-8-10 (.641 cu. ft.) are lined with 1 1/2" (38mm) thick density fiberglass (1 1/2 lbs. per cu. ft.) to prevent metallic resonance.

SPECIAL APPLICATION MODELS

96-8NK. To satisfy building code requirements and installation guidelines that require enclosures without conduit knockouts, Model 96-8NK is offered. (Suffix "NK" designates "no knockouts.")

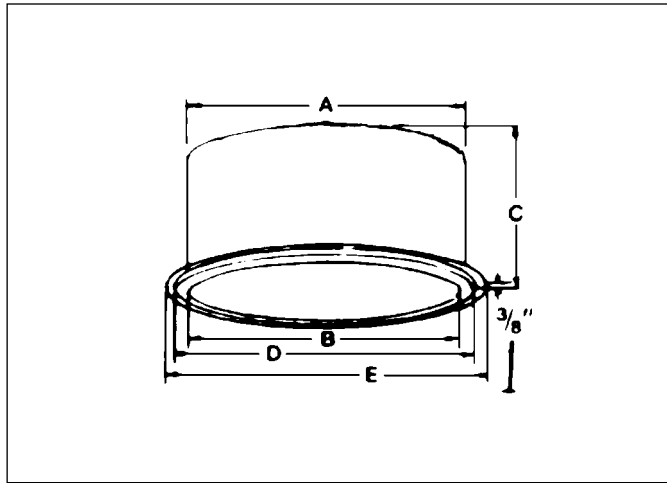
U96-8. UL Listed and plenum rated Model U96-8 is designed for application with Atlas Sound UL Listed (Standard 1480) fire-protective signaling loudspeaker Series UHT and UKT. It is approved for use in air handling spaces under UL File S 1824. For more information on UHT and UKT Series loudspeakers refer to SL6-1181.

THREE

Specifications subject to change without notice



1601 JACK MCKAY BLVD. / ENNIS, TEXAS 75119 U.S.A. / TELEPHONE: (800) 876-3333 / FAX (800) 765-3435



SPECIFICATIONS								
MODEL	DIMENSIONS					VOL.	WEIGHT	MOUNTS BAFFLES
	A	B	C	D	E			
96-8	11 $\frac{1}{8}$ " (302mm)	10 $\frac{3}{4}$ " (273mm)	4 $\frac{1}{4}$ " (108mm)	11 $\frac{1}{8}$ " (302mm)	13 $\frac{1}{2}$ " (343mm)	.272 ft. ³	3.5 lbs. (1.6 kg)	51-8, 60-8(W), 61-8W, 62-8, 63-8, 67-8(W), 68-8W, 170-8, G22-8, M222(W), P900, VP-60R U51-8, U61-8W, U62-8, UG22-8, UM222W
96-8NK			7" (178mm)			.449 ft. ³		
96-8-7			10" (254mm)			.641 ft. ³		
96-8-10			4 $\frac{1}{4}$ " (108mm)			.272 ft. ³		
U96-8*								

* UL Listed, Plenum rated models must be matched with Atlas Sound UHT or UKT Series 8" UL Listed loudspeakers and UL Listed baffles to maintain rating status.

ARCHITECT AND ENGINEER SPECIFICATIONS

The metal protective enclosure shall be Atlas Sound Model 96- ____ or approved equal. It shall have a plaster ring flange which permits mounting nuts to be easily accessible. Unit will be equipped with four J-Nuts for installing screw-mount baffles and shall (include, not include) four combination $\frac{1}{2}$ "- $\frac{3}{4}$ " (13-19mm) conduit knockouts. Enclosure shall have a black epoxy finish and be undercoated to prevent acoustical and mechanical resonance. Extra-depth model 96-8-7 and 96-8-10 shall include 1 $\frac{1}{2}$ " thick density fiberglass lining. The enclosure shall mount Atlas Sound baffle Model ____ or approved equal.

For applications requiring UL Standard 1480 rating and/or UL file S 1824 plenum rating, protective enclosure shall be Atlas Sound Model U96-8. Enclosure shall be matched with UL Listed loudspeaker Series UHT or UKT and companion baffle to maintain UL Listing.

Specifications subject to change without notice



1601 JACK MCKAY BLVD. / ENNIS, TEXAS 75119 U.S.A. / TELEPHONE: (800) 876-3333 / FAX (800) 765-3435