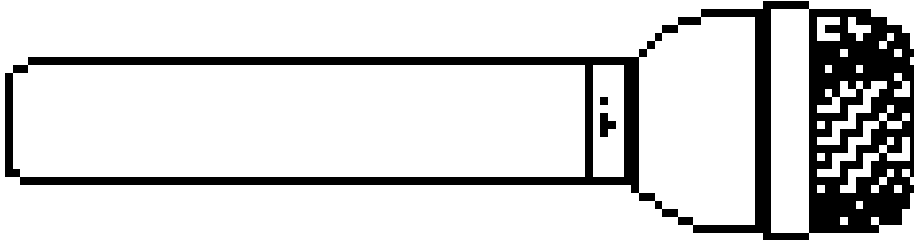


RE50N/D RE50N/D-B

Shock-Mounted, Omnidirectional Dynamic Microphones

- Powerful Electro-Voice neodymium (N/DYM®) magnet results in greater output than with standard alnico magnets
- DynaDamp™ shock-isolation system for low handling noise
- Rugged design
- Choose nonreflecting fawn beige or semigloss “camera” black
- Comes complete with stand clamp and vinyl pouch



Description

The Electro-Voice RE50N/D and RE50N/D-B shock-mounted, dynamic omnidirectional microphones are offspring of the legendary RE50 microphone. Built with the same rugged design as the RE50, the RE50N/D and RE50N/D-B feature a DynaDamp™ shock mount for greater ruggedness and isolation, and a new neodymium N/DYM® magnet structure to provide increased sensitivity required in exacting professional applications.

Ideally suited for handheld broadcast and sound reinforcement applications, the RE50N/D and RE50N/D-B have been built for superior isolation from mechanically induced noise. Handling noise, clothing noise, and even cord shock are isolated from the microphone element. Within the microphone's machined-aluminum outercasing, a DynaDamp™ shock mount (manufactured using an advanced vibration-isolation material) surrounds the high-mass internal acoustic chamber and microphone element, resulting in a degree of isolation unprecedented in an omnidirectional dynamic microphone.

The transducer is protected through a unique interlocking concept, making the RE50N/D

and RE50N/D-B practically indestructible with normal use. The transducer, fitted within a high-mass internal case, is shock-isolated within an attractive external case, therefore protecting the transducer from sudden shock. The microphone's diaphragm permits a very smooth response over a wide frequency range, yet it withstands high humidity and temperature extremes, corrosive effects of salt air and severe mechanical shocks. The diaphragm is protected from dust and magnetic particles by a carefully designed integral windscreens and blast filter which also provides excellent protection from wind noise, excessive sibilance and annoying “P-popping.” The microphone's Memraflex™ grille is designed to bounce back to its original shape when bumped or dropped.

The RE50N/D in nonreflecting fawn beige or the RE50N/D-B in “camera” black are ideal for “on-camera” use. Both microphones are supplied with the 323S (black) stand adapter and a zippered, vinyl carrying pouch.

Architects' and Engineers'

Specifications

The microphone shall be a shock-mounted, omnidirectional, dynamic type with wide-range response uniform from 80 to 13,000 Hz.

The microphone shall employ a high-mass acoustic chamber, integral with the transducer assembly that shall be shock-isolated within an external aluminum case. The microphone shall have an internal pop blast filter to prevent dust and magnetic particles from reaching the diaphragm. The impedance shall be such that the microphone will match 50-, 150- and 250-ohm inputs. The line shall be balanced to ground and phased. The output level shall be -51 dB with 0 dB equalling 1 mW/10 dynes/cm². The magnetic circuit shall be nonwelded and employ a neodymium alloy magnet. The inner case shall be made of steel and the outer case of machined aluminum.

The microphone shall have a maximum diameter of 49 mm (1.94 in.) and a length of 197 mm (7.75 in.). Shank diameter shall be 25 mm (1.0 in.). Weight shall be 269 g (9.5 oz). Finish shall be nonreflecting fawn beige micromatte (RE50N/D) or semigloss black (RE50N/D-B). The microphone shall have a built-in, 3-pin, XLR-type connector, and shall include a 5/8-in.-27-thread stand coupler and a zippered vinyl carrying pouch.

The Electro-Voice RE50N/D and RE50N/D-B are specified.

Limited Warranty

Electro-Voice products are guaranteed against malfunction due to defects in materials or workmanship for a specified period, as noted in the individual product-line statement(s) below, or in the individual product data sheet or owner’s manual, beginning with the date of original purchase. If such malfunction occurs during the specified period, the product will be repaired or replaced (at our option) without charge. The product will be returned to the customer prepaid. **Exclusions and Limitations:** The Limited Warranty does not apply to: (a) exterior finish or appearance; (b) certain specific items described in the individual product-line statement(s) below, or in the individual product data sheet or owner’s manual; (c) malfunction resulting from use or operation of the product other than as specified in the product data sheet or owner’s manual; (d) malfunction resulting from misuse or abuse of the product; or (e) malfunction occurring at any time after repairs have been made to the product by anyone other than EVI Audio Service or any of its authorized service repre-

sentatives. **Obtaining Warranty Service:** To obtain warranty service, a customer must deliver the product, prepaid, to EVI Audio Service or any of its authorized service representatives together with proof of purchase of the product in the form of a bill of sale or receipted invoice. A list of authorized service representatives is available from EVI Audio Service at 600 Cecil Street, Buchanan, MI 49107 (800/234-6831 or FAX 616/695-4743). **Incidental and Consequential Damages Excluded:** Product repair or replacement and return to the customer are the only remedies provided to the customer. Electro-Voice shall not be liable for any incidental or consequential damages including, without limitation, injury to persons or property or loss of use. Some states do not allow the exclusion or limitation of incidental or consequential damages so the above limitation or exclusion may not apply to you. **Other Rights:** This warranty gives you specific legal rights, and you may also have other rights which vary from state to state.

Electro-Voice Wired Microphones are guaranteed against malfunction from any cause for two (2) years from the date of original purchase. In addition, the Limited Warranty for the acoustic system contained in these microphones shall apply for the life of the product, defined as a period of ten (10) years from the date that the manufacture of the specific microphone has been discontinued. Any and all active electronics incorporated in these microphones are guaranteed against malfunction due to defects in materials or workmanship for a period of three (3) years from the date of original purchase. The Limited Warranty does not extend to cables, cable connectors, or switches. Additional details are included in the Uniform Limited Warranty statement.

For warranty repair or service information, contact the service repair department at: 616/695-6831 or 800/685-2606.

For technical assistance, contact Technical Support at 800/234-6831 or 616/695-6831, M-F, 8:00 a.m. to 5:00 p.m. Eastern Standard Time.

Specifications subject to change without notice.

RE50N/D RE50N/D-B Shock-Mounted, Omnidirectional Dynamic Microphones

Figure 1—Frequency Response

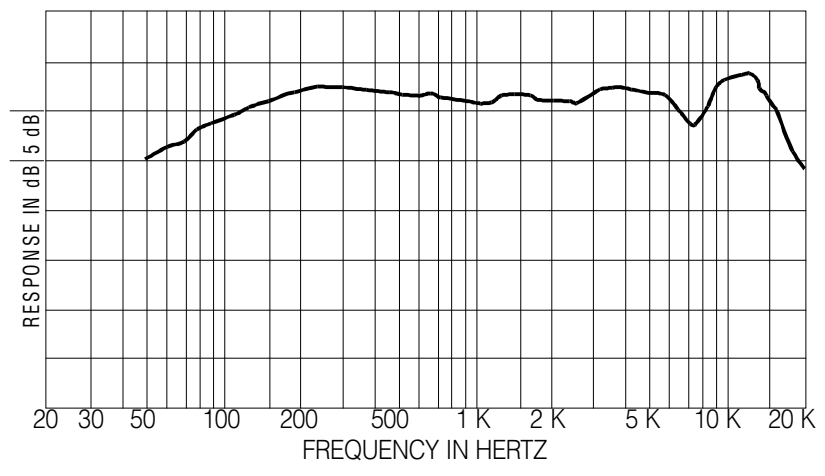


Figure 2—Wiring Diagram

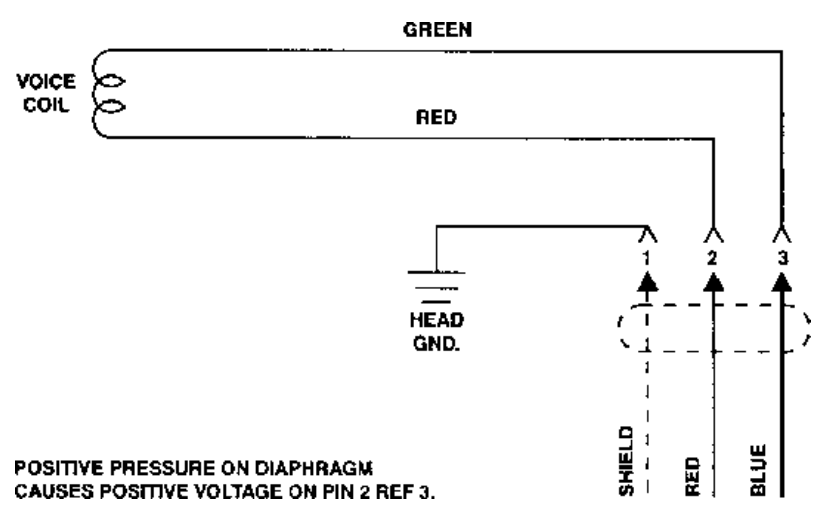
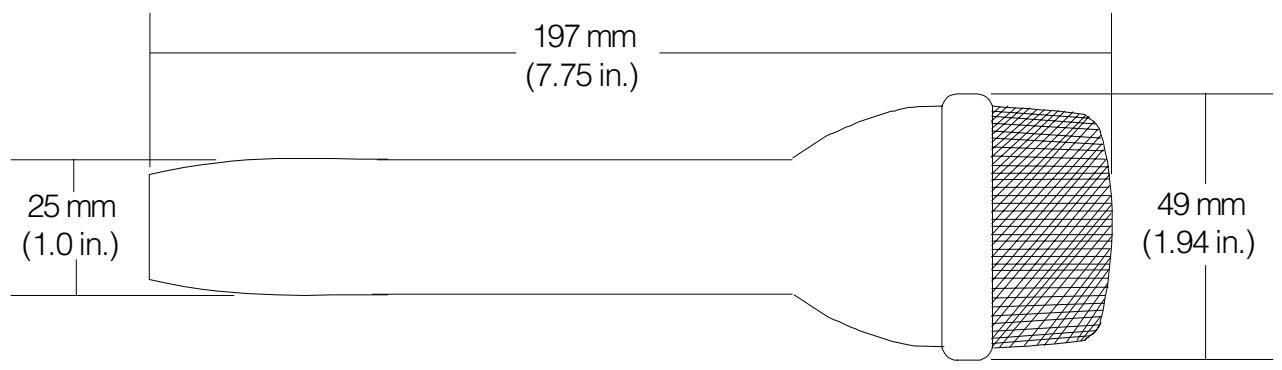


Figure 3—Dimensions



RE50N/D RE50N/D-B Shock-Mounted, Omnidirectional Dynamic Microphones

RE50N/D RE50N/D-B Shock-Mounted, Omnidirectional Dynamic Microphones

RE50N/D RE50N/D-B Shock-Mounted, Omnidirectional Dynamic Microphones

Specifications

Generating Element:

Dynamic

Frequency Response (see Figure 1):

80-13,000 Hz

Polar Pattern:

Omnidirectional

Impedance:

150 ohms balanced

Sensitivity at 1 kHz,

**Open-Circuit Voltage (0 dB = 1 mV/
dyne/cm²):**

2.0 mV

**Power Level (0 dB = 1 mW/10
dynes/cm²):**

-51 dB

Diaphragm Material:

Acoustalloy®

Magnetic Circuit:

N/DYM® magnet in a nonwelded circuit

Microphone Connector:

3-pin, XLR-type, pin 2 positive

Polarity (see Figure 2):

Pin 2 positive, referenced to pin 3 with positive pressure on diaphragm

Case Material:

Aluminum

Finish,

RE50N/D: Fawn beige micromatte

RE50N/D-B: Semigloss “camera” black

Accessories Included:

323S stand adapter (black); zippered vinyl carrying pouch

Optional Accessories:

323 stand adapter (gray); 400 desk stand; 422A desk stand; 423B desk stand

Dimensions (see Figure 3),

Length:

197 mm (7.75 in.)

Maximum Diameter:

49 mm (1.94 in.)

Shank Diameter:

25 mm (1.0 in.)

Package Size,

Height:

76.2 mm (3.0 in.)

Width:

133.4 mm (5.25 in.)

Depth:

241.3 mm (9.5 in.)

Net Weight:

269 g (9.5 oz)

Shipping Weight:

539 g (19 oz)

Electro-Voice®

600 Cecil Street, Buchanan, MI 49107

616/695-6831, 616/695-1304 Fax

©EVI Audio 1998 • Litho in U.S.A.