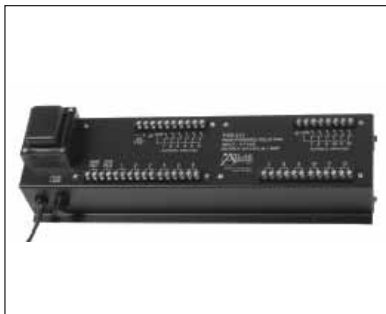




PSR-206



PSR-212

### FEATURES

- Choice of six (PSR-206) or twelve (PSR-212) 24VDC DPDT relay models
- Easy conversion for all-page applications
- Available in 12 or 24 Watt versions
- Capacity for additional external relays or lights
- Pre-mounted and wired to power supply (For Further Reference See SL5-1419)

### APPLICATIONS

Atlas Sound's PSR Series Models PSR-206 and PSR-212 are zone-page, powered relay-pak units with an internal power supply. These relays are commonly used in communication applications where selective activation of speakers is needed. Models are designed to be used in conjunction with Atlas Sound's MPC Series (Modular Paging Communications Center) for zone paging in restaurants, reception areas, professional offices, health clubs, production, and customer service departments. Refer to SL5-1419.

Relay-pak can be easily converted to accommodate "all page" applications, and have the capacity of adding external relays or lights.

### DESCRIPTION

**Model PSR-206.** The Model PSR-206 is a zone page, powered relay-pak with an internal power supply. The unit is completely wired and ready for mounting. The power supply is capable of delivering 500mA at 24VDC. A fuse is used for extra protection. The output of the power supply is terminated at the terminal strip as well as internally to the relay coils. This allows the use of excess power supply capacity for external relays.

Six 24VDC, DPDT relays are pre-mounted and wired to the power supply. The contacts are of silver, gold plated and the contact rating is 3 amps. The coil current is a nominal 35mA. The relays are wired and terminated as shown (see page 2). The terminals are easily identified by a silkscreened diagram. Any relay may be easily converted to an 'all page' relay by connecting the off bus to the selected relay-switch output. **Note:** Allows for 5 zones, plus "All Page", or 6 zones without "All Page".

Model PSR-206 is completely enclosed in a compact 18-gauge CRS chassis finished in black epoxy. It features a 6ft power cord.

**Model PSR-212.** This unit has all the features of Model PSR-206 except it employs twelve relays instead of six. The transformer is mounted on the surface with a protective shell. Model PSR-212 is larger than Model PSR-206 (see specifications).

MODEL	PSR-206	PSR-212
INPUT POWER	117VAC, 60 cycles, 12W	117VAC, 60 cycles, 24W
OUTPUT POWER	24VDC, 500mA	24VDC, 1 amp
RELAYS (NUMBER)	6	12
RELAY TYPE	24VDC, DPDT	24VDC, DPDT
RELAY COIL CURRENT	Nominal 35mA	Nominal 35mA
RELAY CONTACT RATING TERMINAL STRIPS	3 amps one point, screw type two 8 point, screw type	3 amps one 10 point, screw type three 8 point, screw type
SIZE	13¼" x 4¾" x 2¼" (336mm x 111mm x 57mm)	17½" x 4¾" x 2¼" (435mm x 111mm x 57mm)

Specifications subject to change without notice



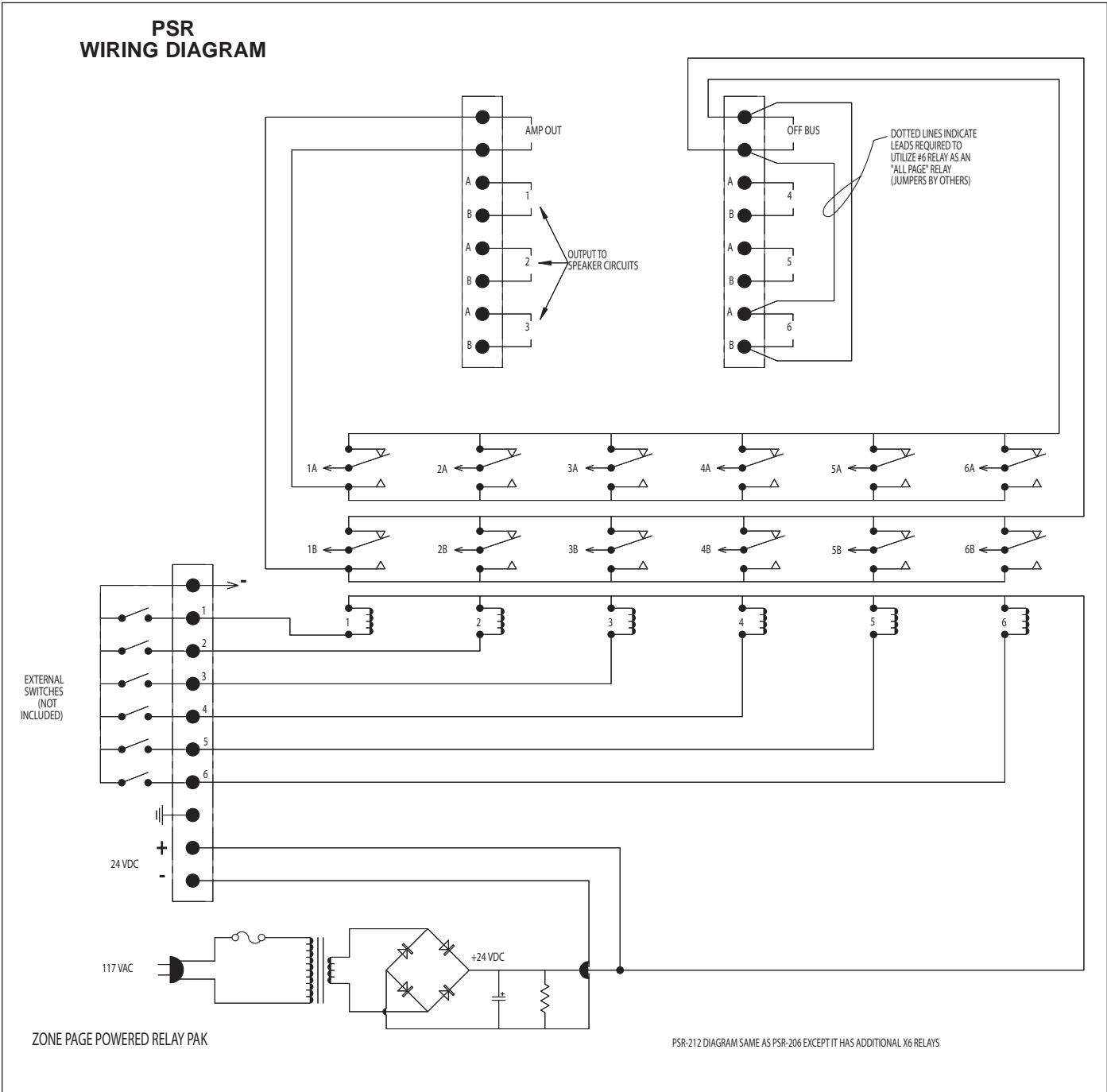
1601 JACK MCKAY BLVD. / ENNIS, TEXAS 75119 U.S.A.  
TELEPHONE: (800) 876-3333 / FAX (800) 765-3435

AtlasSound.com

## ARCHITECT AND ENGINEER SPECIFICATIONS

The zone page powered relay pak shall be Atlas Sound Model \_\_\_\_\_ (PSR-206, PSR-212) or approved equal. It shall include a power supply. Unit shall be wired and ready for mounting. The power supply shall be capable of delivering \_\_\_\_\_ (500mA at 24VDC, Model PSR-206; 1 amp at 24VDC, Model PSR-212. The relay pak shall utilize \_\_\_\_\_ 6 or 12 relays and shall have external provisions to wire one relay as an 'all page' application.

Each relay shall be a DPDT with a 24VDC power supply. The unit output shall be terminated at screw terminals for easy access. The chassis shall be constructed of 18 gauge CRS. Models shall include silkscreened terminal diagram and a 6 ft power cord.



Specifications subject to change without notice



1601 JACK MCKAY BLVD. / ENNIS, TEXAS 75119 U.S.A.  
TELEPHONE: (800) 876-3333 / FAX (800) 765-3435

**AtlasSound.com**