

Description

Lowell LUH-BOX is a universal surface OR recessed backbox for extreme environment installations of paging horn Model LUH-15T. Dual functionality allows a single model to be ordered and stocked for surface or recessed use. A finish trim plate, Model LUH-TP, covers rough openings in recessed installations (order separately). The backbox is ideal in schools, medical facilities, transportation terminals, prisons, commercial or industrial spaces and where the durability of an extreme weather-resistant backbox facilitates installation of environment resistant horn Model LUH-15T. The clean, square design is precision formed from 20-gauge stainless steel and finished in powder epoxy paint for exceptional durability in both indoor and outdoor installations.

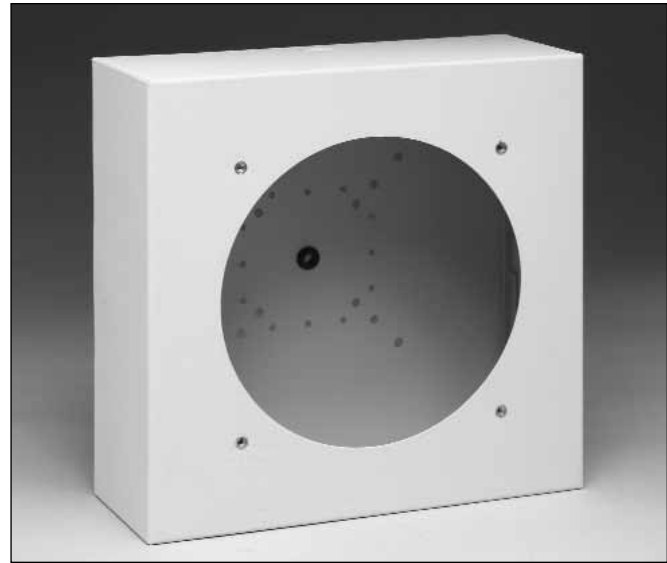
The rear of the backbox is punched with a universal mounting pattern for installing to a 4" square, 4" octagon, 2-gang or 1-gang E.O. box. The rear also includes a .375" hole with grommet for wire access. The backbox features four .875" conduit knockouts (one on each side) and measures 10.5" SQ x 4.0" D. The backbox is finished in Lowell's durable Network Grey powder epoxy.

The backbox is engineered specifically to mount Lowell's narrow profile 15W Unihorn compression driver Model LUH-15T. The horn and grille trim ring install to the backbox using the horn's screwdriver adjustable clamps (dogs) - see page 2 for clamp-mounting diagram. The horn's fine perforated grille, included with the horn, press fits into the grille trim ring. Optional vandal resistant grille Model LUH-VRG may also be ordered separately to screw mount to the grille trim ring if needed.

Grille Model LUH-VRG (11.5" SQ) is an optional environment-resistant cast aluminum grille for Unihorn Model LUH-15T. The grille includes a painted stainless steel barrier screen and tamper-resistant screws. The grille is painted in durable Network Grey powder epoxy finish to match the backbox and the horn.

A & E Specifications

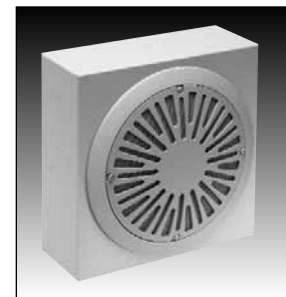
The surface or recessed backbox for Unihorn compression driver Model LUH-15T shall be Lowell Model LUH-BOX. The backbox shall be fabricated of 20-gauge stainless steel. The rear of the backbox shall include provisions for mounting to a 4" square, 4" octagon, 2-gang, or 1-gang E.O. Box. It shall also include a 3/8" diameter hole with grommet in the rear for wire access and four .875" conduit knockouts. The backbox shall measure 10.5" SQ x 4.0" D and shall be finished in neutral Network Grey powder epoxy paint. For recessed applications, trim plate Model LUH-TP shall be specified to cover the rough opening. LUH-TP shall be corrosion-resistant aluminum painted in Network Grey epoxy. It shall measure 11.5" SQ x 0.188"D. For vandal resistant applications, optional grille Model LUH-VRG shall be specified. It shall be cast aluminum with a painted stainless steel barrier screen. It shall be finished in Network Grey powder epoxy and mount to the trim ring using tamper-resistant hardware.



LUH-BOX
Stainless steel heavy-duty backbox



LUH-BOX + Perf Grille
Shown with mounted LUH-15T Horn and perforated grille included with horn.



LUH-BOX + LUH-VRG Grille
Shown with mounted LUH-15T horn and vandal-resistant grille LUH-VRG.



LUH-TP
Required trim plate for recessed installation or LUH-BOX

Backbox Specifications

Model	Description	Dimensions	Mounts Speaker (order separately)	Mounts Grille
LUH-BOX	Surface or recessed backbox 20 gauge stainless steel	10.5" SQ x 4.0" D	LUH-15T Unihorn	LUH-Grille (included with LUH-15T Unihorn™) or vandal-resistant LUH-VRG (order separately)
LUH-TP	Aluminum trim plate for recessed mounting of LUH-BOX	11.5" SQ x 0.188"D	-----	-----



LUH-BOX

Surface & Recessed Backbox for Unihorn™ Model LUH-15T

A U D I O

12"/10"
Speakers & Accessories

8"
Speakers & Accessories

6"
Speakers & Accessories

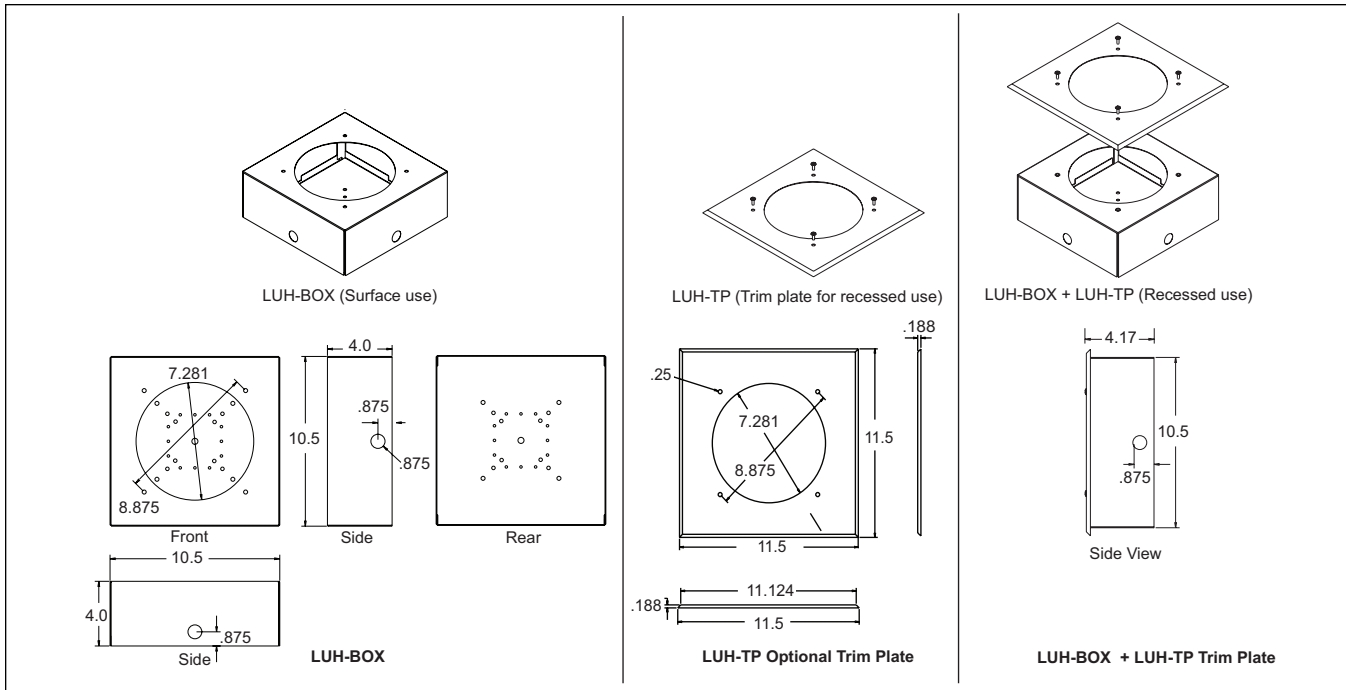
4"
Speakers & Accessories


Horn
Speakers & Accessories

Masking
Speakers & Generators

Control
Accessories & Electronics

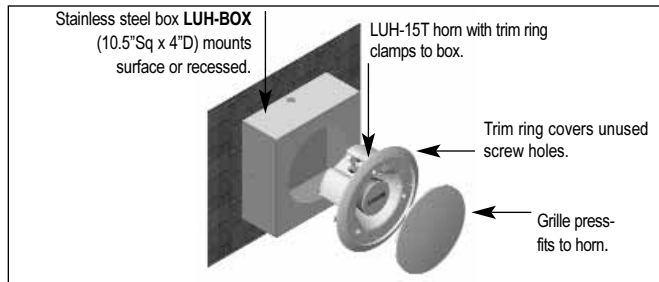
Grilles & Backboxes



LUH-BOX + LUH-TP Dimensions

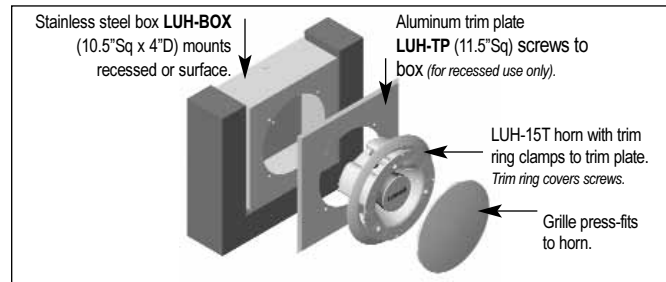
(Optional LUH-TP is required for recessed installations only).

Installation Options



Surface installation of LUH-BOX

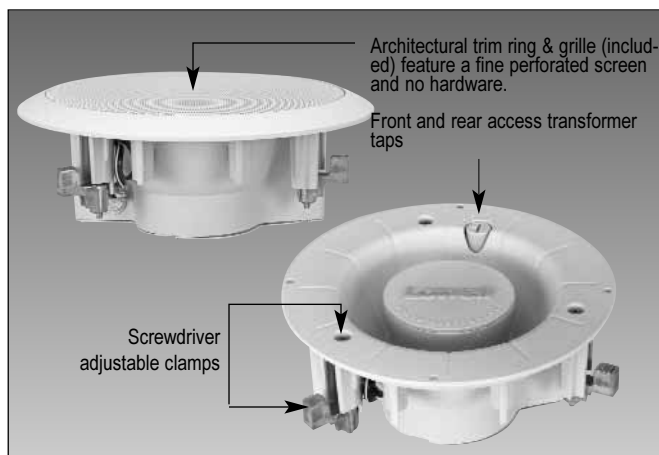
Shown with LUH-15T horn and supplied grille.



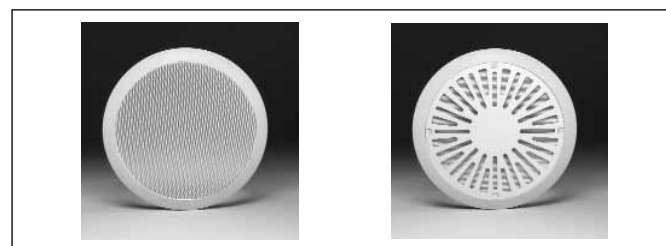
Recessed Installation of LUH-BOX

Shown with LUH-15T horn and supplied grille.

Companion Accessories



UNIHORNTM LUH-15T - 15W 70/25V Package
Includes perforated grille and trim ring.



Perforated Trim Ring / Grille
included with LUH-15T
(9.6" Dia., Aluminum)

Optional Vandal-resistant Grille LUH-VRG
Cast aluminum with stainless steel screen
(Shown with trim ring supplied with horn)

Model	Description
LUH-15T	15W Unihorn 3.72"D + trim ring and grille
LUH-VRG	Grille-vandal resistant cast alum for LUH-15T